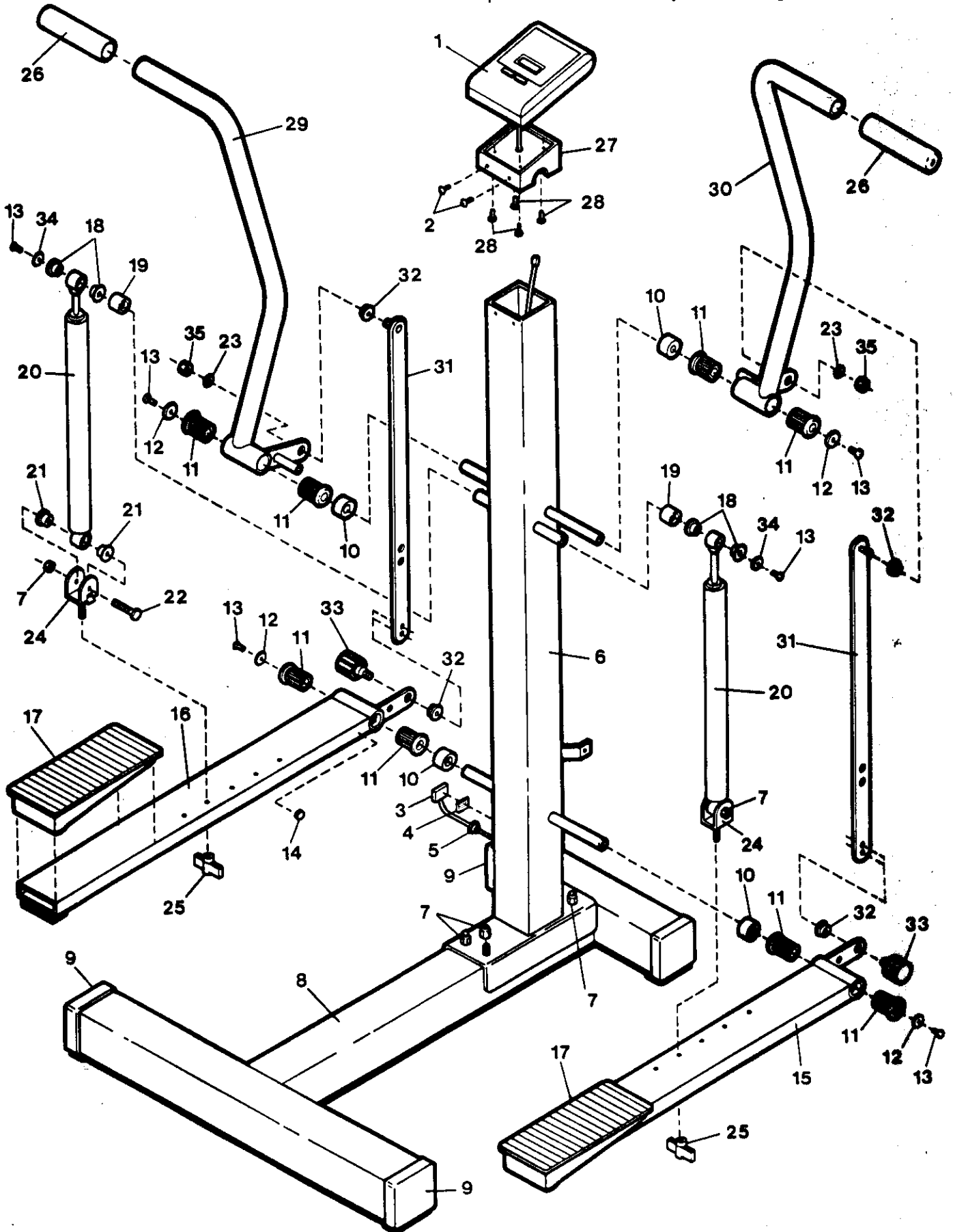


# EXPLODED DRAWING - Model No. PF105010

Rev. 7/91

Specifications are subject to change without notice.



MODEL NUMBER: PF10501  
VERSION: 00  
PRODUCT NAME: STEP USA II  
PRODUCT DESC:

MODEL/PART BOOK LISTING

PAGE 1  
INI023P1  
RUN DATE: 12/18/91  
RUN TIME: 14:55:01

KEY NUMBER	PART NUMBER	DESCRIPTION	QUANTITY
1	104873	ELECTRONIC MONITOR	1
2	013423	MONITOR MOUNT SCREW, .50"	2
3	107945	SENSOR WIRE W/FAST. STRIP	1
4	062035	FASTENER STRIP	1
5	104389	SNAP BUSHING	1
6	107951	UPRIGHT W/DECAL	1
	.	105157 UPRIGHT	1
	.	104976 DECAL	1
7	012108	NYLOCK NUT	6
8	107952	BASE W/DECAL	1
	.	104882 BASE	1
	.	104980 DECAL	1
9	100033	BASE ENDCAP	4
10	105501	SPACER	4
11	100048	BUSHING	8
12	104188	WASHER	4
13	013244	BOLT, .60"	6
14	100498	MAGNET	1
15	107940	RIGHT PEDAL ASSEMBLY	1
	.	105163 RIGHT PEDAL	1
	.	106974 DECAL	1
	.	106147 PEDAL COVER ASSY.	1
	.	105502 BUSHING	1
	.	100048 BUSHING	2
16	107941	LEFT PEDAL ASSEMBLY	1
	.	105161 LEFT PEDAL	1
	.	106974 DECAL	1
	.	106147 PEDAL COVER ASSY.	1
	.	105502 BUSHING	1
	.	100048 BUSHING	2
17	106147	PEDAL COVER ASSEMBLY	2
	.	102911 PEDAL COVER	1
	.	105884 DOUBLESTICK TAPE	2
18	100234	UPPER CYLINDER BSHG. SET	2
19	100052	CYLINDER SPACER	2
20	105445	RESISTANCE CYLINDER	2
21	100256	LOWER CYLINDER BSHG. SET	2
22	104063	BRACKET BOLT, 1.75"	2
23	105495	HANDLEBAR WASHER	2
24	106052	CYLINDER BRACKET	2
25	100108	BRACKET KNOR	2
26	105500	HANDLEBAR GRIP	2
27	104872	MONITOR BRACKET	1
28	013516	MONITOR SCREW, .375"	4
29	107942	LEFT HANDLEBAR ASSEMBLY	1
	.	105147 LEFT HANDLEBAR	1
	.	105502 BUSHING	1
30	107943	RIGHT HANDLEBAR ASSEMBLY	1
	.	105149 RIGHT HANDLEBAR	1
	.	105502 BUSHING	1
31	105166	LINK ARM	2
32	105507	BRASS BUSHING	4
33	105170	LINK ARM KNOR	2
34	014129	SHOCK WASHER	2

MODEL NUMBER: PF10501  
VERSION: 00  
PRODUCT NAME: STEP USA II  
PRODUCT DESC:

MODEL/PART BOOK LISTING

PAGE 2

INI023P1

RUN DATE: 12/18/91

RUN TIME: 14:55:01

KEY NUMBER	PART NUMBER	DESCRIPTION	QUANTITY
35	105133	THIN NYLOCK NUT	2
#	045023	ALLEN WRENCH	1
#	104838	GREASE	1
#	104980	BASE DECAL	1
#	104976	UPRIGHT DECAL	1
#	106974	PEDAL DECAL	2
.	.	ELECTRONIC MONITOR GUIDE (IN OWNERS MANUAL)	1 0
#	105505	OWNERS MANUAL	1
.	105504	LITERATURE PACKET	1
.	.	105505 OWNERS MANUAL	1
.	.	(IN DM) MONITOR GUIDE	0
.	.	106884 HARDWARE KIT	1
.	012108	NYLOCK NUT	4
.	104188	WASHER	2
.	105501	SPACER	2
.	013244	BOLT	2
.	105170	LINK ARM KNOB	2
.	104838	GREASE	1
.	045023	ALLEN WRENCH	1