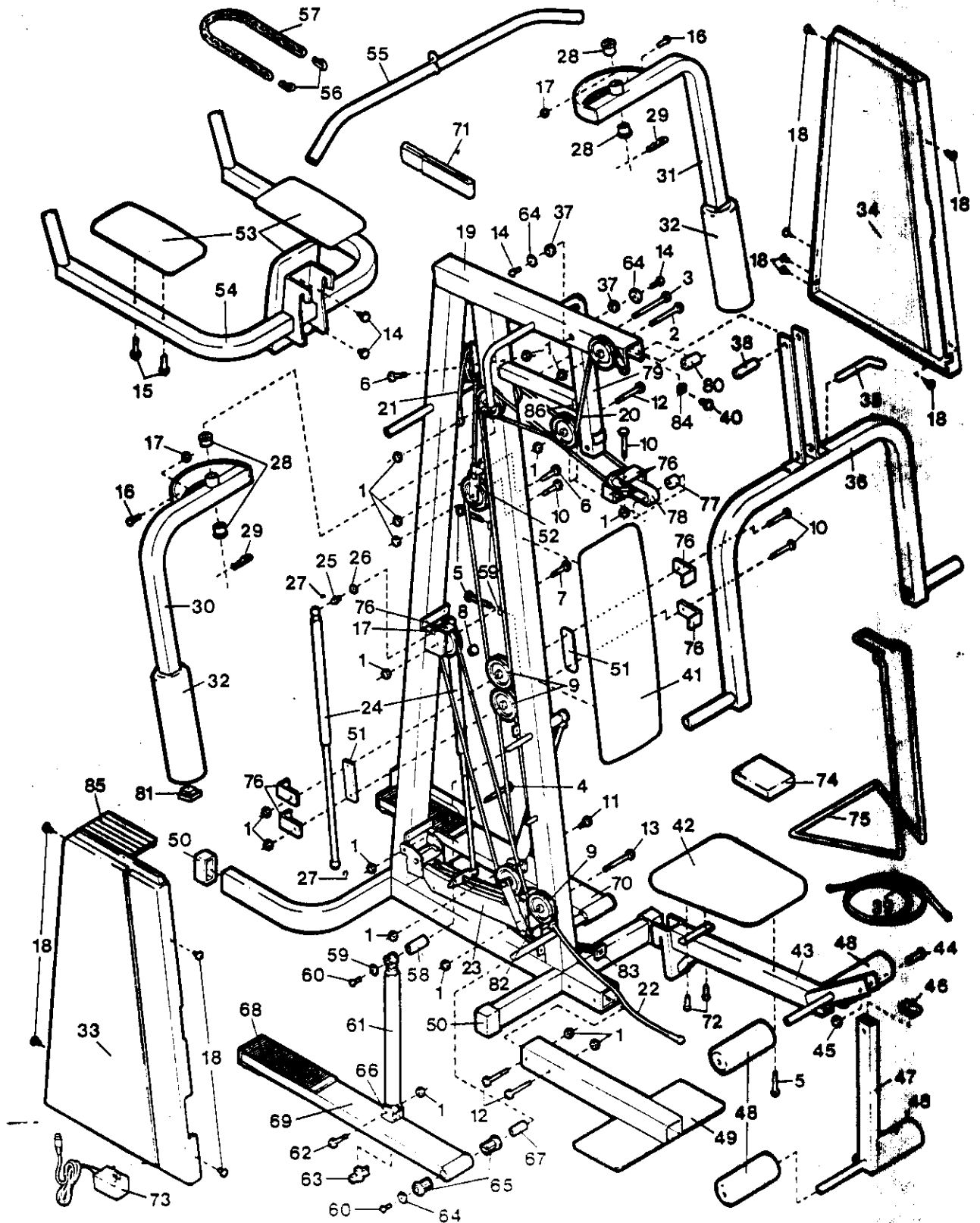


# EXPLODED DRAWING- Model No. PF200110

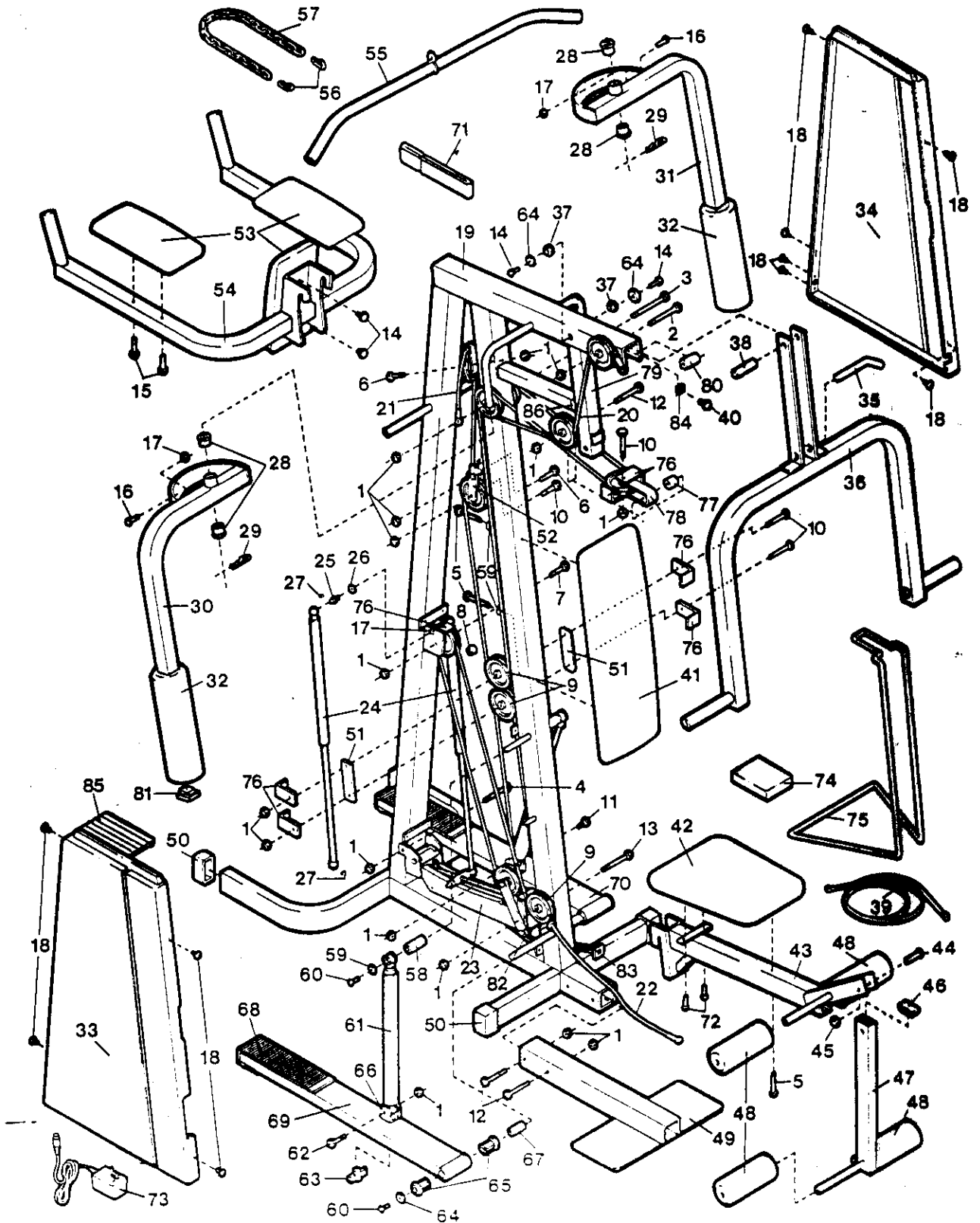
Rev. 12/91



Specifications are subject to change without notice.

# EXPLODED DRAWING- Model No. PF200110

Rev. 12/91



Specifications are subject to change without notice.

MODEL NUMBER: PF20011  
 VERSION: 00  
 PRODUCT NAME: PROFORM EDGE 2001  
 PRODUCT DESC:

MODEL/PART BOOK LISTING

PAGE 1  
 INI023P1  
 RUN DATE: 2/08/97  
 RUN TIME: 8:56:30

KEY NUMBER	PART NUMBER	DESCRIPTION	QUANTITY
1	012108	NYLOCK NUT	18
2	101263	3/8" X 4.00" BOLT	1
3	104925	3/8" X 4.50" BOLT	1
4	013519	3/8" X 3.00" BOLT	1
5	013341	1/4" X 2.50" BOLT	3
6	013564	3/8" X 1.75" BOLT	3
7	013574	3/8" X 2.25" BOLT	1
8	105309	PVC SPACER	1
9	115370	CABLE PULLEY	12
10	013580	3/8" X 2.00" BOLT	4
11	104581	3/8" X 1.00" BOLT	1
12	105329	3/8" X 2.75" BOLT	3
13	104049	3/8" X 3.50" BOLT	1
14	103025	1/4" X 0.50" BOLT	4
15	013498	1/4" X 2.00" BOLT	4
16	013303	5/16" X 1.00" BOLT	2
17	012082	5/16" NYLOCK NUT	4
18	105316	SCREW	10
19	NSP	FRAME	1
20	106007	UPPER CABLE	1
21	105295	BUTTERFLY CABLE	2
22	107893	LOWER CABLE ASSEMBLY	1
	.	107894 LOWER CABLE	1
	.	107479 EXTENSION CABLE	1
	.	103087 CONNECTOR LINK	1
	.	107895 CONSUMER NOTICE	1
23	108135	WEIGHT MECHANISM	1
	.	(NOTE: A PART LIST AND	0
	.	DRAWING OF THE MECHANISM	0
	.	ARE LOCATED AT THE END OF	0
	.	THIS PRODUCT SECTION.)	0
24	107367	GAS SHOCK ASSEMBLY	2
	.	105136 GAS SHOCK	1
	.	107050 OIL ABSORBENT PAD	1
	.	016029 PLASTIC CABLE TIE	1
	.	108184 CONSUMER NOTICE	1
25	105142	BALL JOINT	2
26	014041	WASHER	2
27	105234	RETAINER CLIP	4
28	105497	BUTTERFLY BUSHING	4
29	015044	HAIRPIN COTTER PIN	2
30	105331	RIGHT BUTTERFLY ARM	1
31	105339	LEFT BUTTERFLY ARM	1
32	105342	BUTTERFLY FOAM PAD	2
33	.	SEE #34	0
34	107929	L/R SIDESHIELD W/DECAL	1
	.	111123 L/R SDSHLD ASSY	1
	.	107846 LEFT SIDESHIELD	1
	.	107845 RIGHT SIDESHIELD	1
	.	107478 TOP COVER	1
	.	110765 CONSUMER NOTICE	1
	.	106225 SIDESHIELD DECAL	2
35	106051	PULL PIN	1
36	106020	PRESS ARM	1

MODEL NUMBER: PF20011  
VERSION: 00  
PRODUCT NAME: PROFORM EDGE 2001  
PRODUCT DESC:

MODEL/PART BOOK LISTING

PAGE 2  
INI023P1  
RUN DATE: 2/08/97  
RUN TIME: 8:56:30

KEY NUMBER	PART NUMBER	DESCRIPTION	QUANTITY
37	106032	PRESS ARM BUSHING	2
38	106031	PRESS ARM AXLE	1
39	106786	CONTROL CORD	1
40	013186	AXLE SCREW	1
41	107311	BACKREST	1
42	107313	SEAT	1
43	107371	SEAT SUPPORT W/AXLECAP	1
.	.	105359 SEAT SUPPORT	1
.	.	100150 AXLECAP	1
44	107653	LEG LEVER PIN W/AXLECAP	1
.	.	105381 LEG LEVER PIN	1
.	.	100150 AXLECAP	1
45	100150	LEG LEVER AXLECAP	1
46	104794	LEG LEVER ENDCAP	1
47	NLA	LEG LEVER ASSEMBLY	1
48	103805	LEG LEVER FOAM PAD	4
49	105324	BASE EXTENSION	1
50	106036	FRAME ENDCAP	4
51	105306	PULLEY I-PLATE	2
52	105299	PULLEY BRACKET	1
53	107267	VKR PAD	3
54	106071	VKR	1
55	105310	LAT BAR	1
56	103087	CABLE CLIP	2
57	105315	CHAIN	1
58	106053	RESIST. CYLINDER SPACER	2
59	014129	WASHER	4
60	013244	SCREW	4
61	105445	RESIST. CYLINDER W/BSHGS	2
.	.	106876 UPPER BSHG SET	1
.	.	106875 LOWER BSHG SET	1
62	104063	RESISTANCE CYLINDER BOLT	2
63	100108	RESISTANCE CYLINDER KNOB	2
64	014164	WASHER	4
65	100048	PEDAL BUSHING	4
66	106052	CYLINDER BRACKET	2
67	106054	PEDAL SPACER	2
68	106872	PEDAL COVER ASSEMBLY	2
.	.	111572 PEDAL COVER	1
.	.	100873 TAPE, QTY. .00926	0
69	106873	RIGHT PEDAL ASSEMBLY	1
70	106874	LEFT PEDAL ASSEMBLY	1
71	107048	ANKLE STRAP	1
72	013456	1/4" X 0.75" BOLT	2
73	101067	POWER CORD	1
74	105922	HAND CONTROL	1
75	108981	CONTROL STAND ASSEMBLY	1
.	.	105382 CONTROL STAND	1
.	.	108673 SLEEVE	1
.	.	108980 CONSUMER NOTICE	1
76	115257	L-BRACKET	1
77	107194	PIVOT BUSHING	1
78	107192	U-BRACKET	1
79	106023	PRESS ARM BRACKET	1

MODEL NUMBER: PF20011  
VERSION: 00  
PRODUCT NAME: PROFORM EDGE 2001  
PRODUCT DESC:

MODEL/PART BOOK LISTING

PAGE 3  
INI023P1  
RUN DATE: 8/08/97  
RUN TIME: 8:56:30

KEY NUMBER	PART NUMBER	DESCRIPTION	QUANTITY
80	NLA	CHANNEL SPACER	1
81	103050	BUTTERFLY ENDCAP	2
82	108139	WIRE HARNESS	1
83	106982	CONTROL CORD SOCKET	1
84	014062	LOCK WASHER	1
85	107472	TOP COVER	1
86	107346	ENDCAP	1
.	.	NON-ILLUSTRATED PARTS:	0
A	110645	MECH ADJUSTMENT BOLT ASSY	1
.	.	105293 ADJUSTMENT BOLT	1
.	.	105133 NYLOCK NUT	1
.	.	110646 CONSUMER NOTICE	1
B	111127	SWIVEL HOOK W/CN	1
.	.	111128 SWIVEL HOOK	1
.	.	111129 CN-INSTALL INST.	1
C	106225	L/R SIDESHIELD DECAL	2
D	106974	L/R PEDAL DECAL	2
E	107528	EXERCISE MANUAL	1
F	106042	OWNER'S MANUAL	1
.	106222	LITERATURE PACKET	1
.	.	106042 OWNER'S MANUAL	1
.	.	107528 EXERCISE MANUAL	1