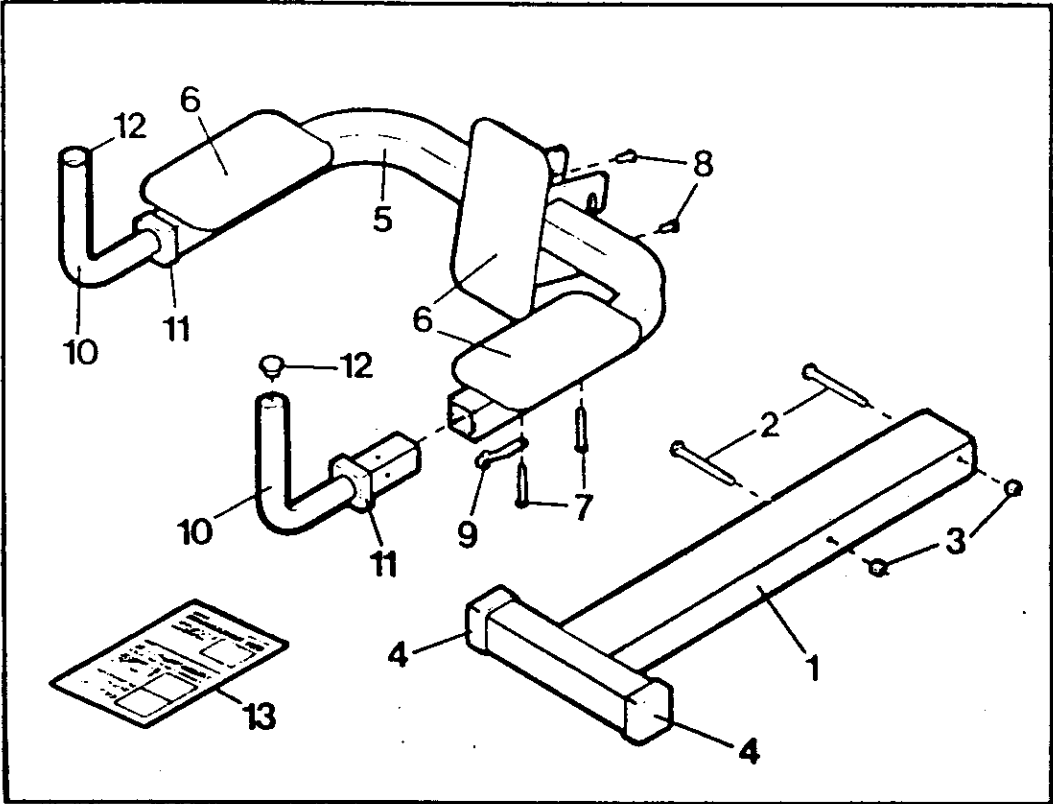


EXPLODED DRAWING

- Model No. PF200210



MODEL NUMBER: PF20021

MODEL/PART BOOK LISTING

PAGE 1

VERSION: 00

IN1023P1

PRODUCT NAME: PROFORM CONNEXION VKR

RUN DATE: 07/17/91

PRODUCT DESC:

RUN TIME: 17:04:36

KEY NUMBER	PART NUMBER	DESCRIPTION	QUANTITY
1	106455	EXTENSION	1
2	106465	EXTENSION BOLT, 3.75"	2
3	012108	EXTENSION NUT	2
4	105723	EXTENSION ENDCAP	2
5	107322	VKR FRAME W/DECAL	1
	.	104866 VKR FRAME	1
	.	106726 VKR FRAME DECAL	1
6	106468	VKR PAD	3
7	013275	LONG VKR BOLT, 2.25"	4
8	103025	SHORT VKR BOLT, .50"	2
9	104859	SPRING CLIP	2
10	104852	VKR HANDLE	2
11	104858	VKR HANDLE COLLAR	2
12	106526	VKR HANDLE ENDCAP	2
13	106785	OWNERS MANUAL	1
#	106726	VKR FRAME DECAL	1
	106788	LITERATURE PACKET	1
	.	106785 OWNERS MANUAL	1
	106535	HARDWARE PACKET	1
	.	104858 VKR HANDLE COLLAR	2
	.	104859 SPRING CLIP	2
	.	103025 VKR BOLT, .50"	2
	.	013275 VKR BOLT, 2.25"	4
	.	012108 EXTENSION NUT	2
	.	106465 EXT. BOLT, 3.75"	2
	.	NOTE: HARDWARE PACKET IS	0
	.	SEPARATE FROM LIT PACKET	0