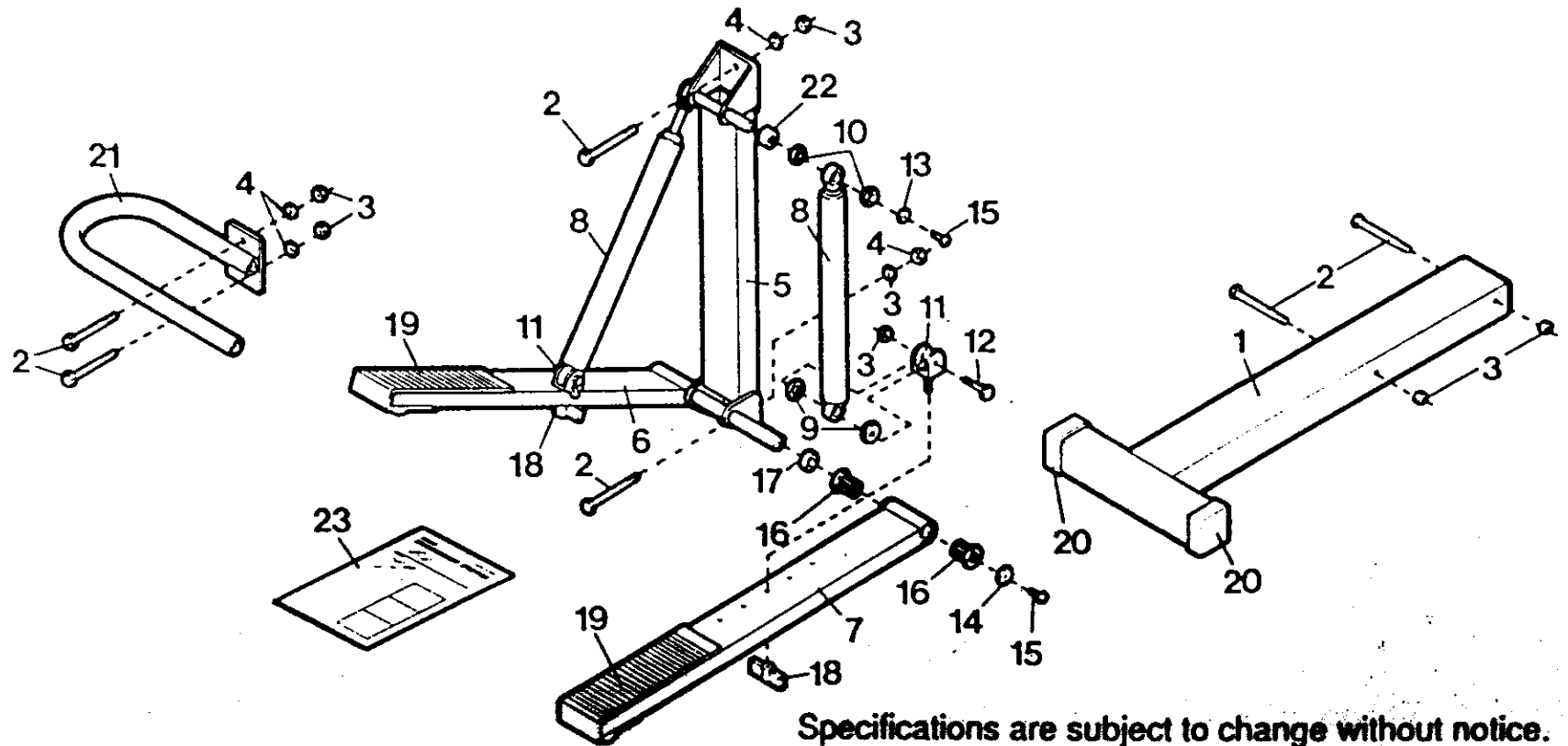


EXPLODED DRAWING - Model No. PF200410



Specifications are subject to change without notice.

VERSION: 00

INI023P1

PRODUCT NAME: PROFORM CONNEXION STEPPER

RUN DATE: 3/25/93

PRODUCT DESC:

RUN TIME: 14:25:27

KEY NUMBER	PART NUMBER	DESCRIPTION	QUANTITY
1	107340	EXTENSION W/DECAL	1
	.	106455 EXTENSION	1
	.	106728 EXTENSION DECAL	1
2	106465	BOLT	6
3	012108	NYLOCK NUT	8
4	014087	WASHER	4
5	106448	STEPPER MOUNT	1
6	106998	LEFT PEDAL ASSEMBLY	1
	.	104698 PEDAL	1
	.	106872 PEDAL COVER ASSY.	1
	.	106974 PEDAL DECAL	1
	.	100048 PEDAL BUSHING	2
7	106997	RIGHT PEDAL ASSEMBLY	1
	.	104698 PEDAL	1
	.	106872 PEDAL COVER ASSY.	1
	.	106974 PEDAL DECAL	1
	.	100048 PEDAL BUSHING	2
8	105445	RESISTANCE CYLINDER	2
9	106875	LOWER CYLINDER BSHG SET	2
10	106876	UPPER CYLINDER BSHG SET	2
11	100196	CYLINDER BRACKET	2
12	104063	BRACKET BOLT	2
13	014129	CYLINDER WASHER	2
14	014164	PEDAL WASHER	2
15	013244	SCREW	4
16	100048	PEDAL BUSHING	4
17	100105	PEDAL SPACER	2
18	100108	KNOB	2
19	106872	PEDAL COVER ASSEMBLY	2
	.	111572 PEDAL COVER	1
	.	100873 TAPE, QTY. .00926	0
20	105723	EXTENSION ENDCAP	2
21	106459	HANDLEBAR	1
22	100052	CYLINDER SPACER	2
23	106781	OWNER'S MANUAL	1
.	.	NON-ILLUSTRATED PARTS:	0
A	106974	PEDAL DECAL	2
B	106728	EXTENSION DECAL	1
	106782	LITERATURE PACKET	1
	.	106781 OWNER'S MANUAL	1
	106464	HARDWARE PACKET	1
	.	012108 NYLOCK NUT	6
	.	106465 BOLT, 3.75"	6
	.	014087 WASHER	4
	.	NOTE: HARDWARE PACKET IS	0
	.	SEPARATE FROM LIT PACKET	0