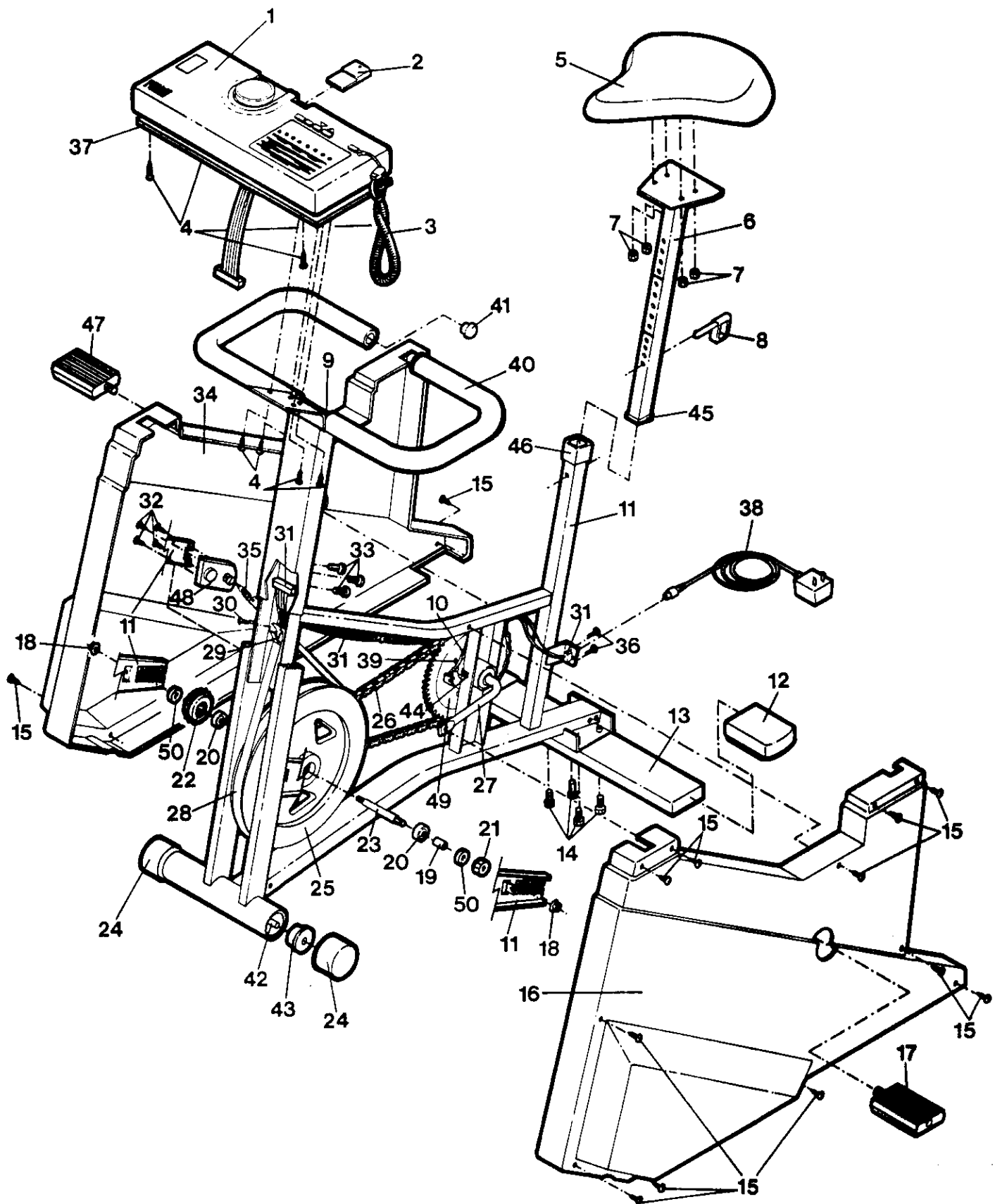


# EXPLODED DRAWING - Model No. PF210110

Rev. 2/92



Specifications are subject to change without notice.

MODEL NUMBER: PF21011  
VERSION: 00  
PRODUCT NAME: PROFORM 2101 CTX  
PRODUCT DESC:

MODEL/PART BOOK LISTING

PAGE 1

INI023P

RUN DATE: 3/03/93

RUN TIME: 12:59:36

KEY NUMBER	PART NUMBER	DESCRIPTION	QUANTITY
1	107185	CONSOLE ASSEMBLY	1
	.	106583 CONSOLE	1
	.	107065 CONSOLE PLUG	1
2	100933	POWER KEY	1
3	101508	PULSE MONITOR CLIP	1
4	013423	CONSOLE PLATE SCREW	8
5	105022	SEAT	1
6	104781	SEAT POST	1
7	012096	SEAT NUT	4
8	015073	SEAT PIN	1
9	107965	HANDLEBAR ASSEMBLY	1
	.	104761 HANDLEBAR	1
	.	104774 FOAM GRIP	2
	.	104809 ENDCAP	2
10	100949	REED SWITCH WIRE	1
11	NSP	FRAME	1
12	105590	STABILIZER ENDCAP	2
13	104815	STABILIZER	1
14	013469	STABILIZER BOLT	4
15	013322	SIDE SHIELD SCREW	14
16	107966	LEFT SIDE SHIELD W/DECAL	1
	.	104603 LEFT SIDE SHIELD	1
	.	106891 SIDE SHIELD DECAL	1
17	038032	LEFT PEDAL	1
18	104806	FLANGE NUT	2
19	019300	SPACER	1
20	102356	BEARING	2
21	014087	AXLE WASHER	2
22	024001	SMALL SPROCKET	1
23	104805	FLYWHEEL AXLE	1
24	106697	ROLLER	2
25	021023	FLYWHEEL	1
26	104803	CHAIN	1
27	104800	CRANK	1
28	101929	RESISTANCE STRAP	1
29	050001	TENSION BUCKLE	1
30	013162	TENSION BUCKLE SCREW	1
31	106133	MAIN WIRE HARNESS ASSY.	1
32	101049	MOTOR MOUNTING SCREW	4
33	013484	HANDLEBAR SCREW	3
34	107967	RIGHT SIDE SHIELD W/DECAL	1
	.	104604 RIGHT SIDE SHIELD	1
	.	106891 SIDE SHIELD DECAL	1
35	102037	TENSION SPRING ASSEMBLY	1
36	013516	POWER PLUG SCREW	2
37	105924	CONSOLE PLATE	1
38	101067	POWER CORD	1
39	100498	MAGNET	1
40	104774	FOAM GRIP	2
41	102638	HANDLEBAR ENDCAP	2
42	106698	ROLLER AXLE	1
43	106880	ROLLER BUSHING	2
44	062035	REED SWITCH FASTENER	1
45	104787	SEAT POST GLIDE	1

MODEL NUMBER: PF21011  
VERSION: 00  
PRODUCT NAME: PROFORM 2101 CTX  
PRODUCT DESC:

MODEL/PART BOOK LISTING

PAGE 2  
IN1023P1

RUN DATE: 8/25/92  
RUN TIME: 14:04:37

KEY NUMBER	PART NUMBER	DESCRIPTION	QUANTITY
46	104786	SEAT POST COLLAR	1
47	038033	RIGHT PEDAL	1
48	103888	TENSION MOTOR ASSEMBLY	1
49	104801	SPROCKET	1
50	106732	JAM NUT	2
.	.	NON-ILLUSTRATED PARTS:	0
A	110465	CRANK HARDWARE ASSEMBLY *	1
.	.	018001 BEARING	2
.	.	019003 BEARING CUP	2
.	.	014008 FLAT WASHER	1
.	.	014009 KEYED WASHER	1
.	.	012010 NUT W/2 SLOTS	1
.	.	012011 NUT W/3 SLOTS	1
.	.	012012 HEX NUT	1
.	.	106881 CONSUMER NOTICE	1
B	045010	ALLEN WRENCH	1
C	106891	L/R SIDE SHIELD DECAL	2
D	107044	OWNERS MANUAL	1
.	107043	LITERATURE PACKET	1
.	.	107044 OWNERS MANUAL	1
.	.	101508 PULSE EARCLIP	1
.	.	106897 HARDWARE KIT	1
.	.	013484 HANDLEBAR SCREW	3
.	.	013469 STABILIZER BOLT	4
.	.	013322 SIDESHIELD SCREW	4
.	.	045010 ALLEN WRENCH	1
.	.	*--THIS IS AN ESTIMATED	0
.	.	COST!!!!	0