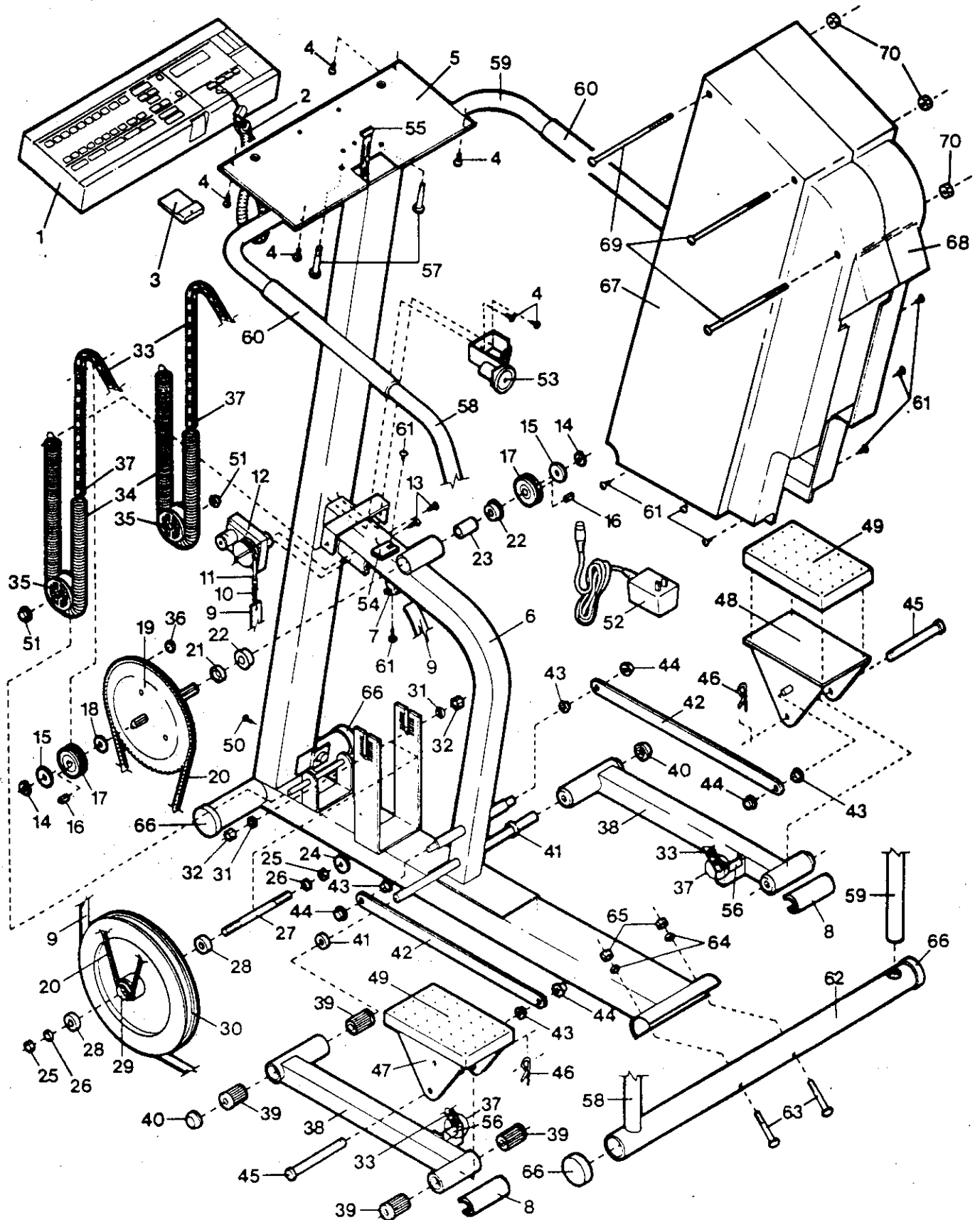


EXPLODED DRAWING—Model No. PF300010

Rev. 12/92



MODEL NUMBER: PF30001
VERSION: 00
PRODUCT NAME: PROFORM 1030 STX
PRODUCT DESC:

MODEL/PART BOOK LISTING

PAGE 1
INI023P1
RUN DATE: 2/08/97
RUN TIME: 11:49:10

KEY NUMBER	PART NUMBER	DESCRIPTION	QUANTITY
1	108067	CONSOLE ASSEMBLY	1
2	119946	PULSE/CLOTHES CLIP ASSY.	1
3	100933	POWER KEY	1
4	013423	SCREW	6
5	106151	CONSOLE PLATE	1
6	NSP	FRAME	1
7	050001	TENSION BUCKLE	1
8	105433	LARGE BUMPER	2
9	106750	RESISTANCE STRAP	1
10	103909	SPRING ASSEMBLY	1
11	101042	TENSION ROPE	1
12	103888	TENSION MOTOR	1
13	101049	TENSION MOTOR SCREW	2
14	054024	E-CLIP	2
15	014170	LARGE SPROCKET WASHER	2
16	101570	SPROCKET KEY	2
17	106153	SMALL SPROCKET	2
18	103859	SMALL SPROCKET WASHER	1
19	105114	LARGE SPROCKET	1
20	105102	LARGE SPROCKET CHAIN	1
21	102041	SPROCKET SPACER CUP	1
22	101565	SPROCKET BEARING	1
23	105095	SPACER	1
24	105674	LARGE FLYWHEEL WASHER	1
25	101980	THIN NUT	2
26	014004	BEVELED WASHER	2
27	102357	FLYWHEEL AXLE	1
28	102356	FLYWHEEL BEARING	2
29	104008	FLYWHEEL SPROCKET	1
30	107150	FLYWHEEL W/BEARING	1
31	104478	SMALL FLYWHEEL WASHER	2
32	012175	THICK NUT	2
33	107049	LARGE CHAIN W/MASTER LINK	2
34	124855	SPRING	2
35	104275	SPRING PULLEY W/AXLECAP	2
36	100498	MAGNET	1
37	101575	MASTER LINK	4
38	109622	LEFT PEDAL ARM ASSEMBLY	1
38A	109623	RIGHT PEDAL ARM ASSEMBLY	1
39	100048	PEDAL ARM BUSHING	8
40	103735	PEDAL ARM AXLECAP	2
41	105101	PEDAL ARM SPACER	2
42	107151	L/R LINK ARM ASSEMBLY	2
43	103677	LINK ARM BUSHING	4
44	100150	LINK ARM AXLECAP	4
45	105865	CLEVIS PIN	2
46	106911	COTTER PIN	2
47	111375	LEFT/RIGHT PEDAL ASSEMBLY	2
48	.	SEE KEY #47	0
49	107148	PEDAL COVER ASSEMBLY	2
50	101577	POWER PLUG SCREW	1
51	103957	SPRING WHEEL AXLECAP	2
52	104216	POWER CORD	1
53	106113	VOLTAGE METER	1

MODEL NUMBER: PF30001
 VERSION: 00
 PRODUCT NAME: PROFORM 1030 STX
 PRODUCT DESC:

MODEL/PART BOOK LISTING

RUN DATE: 2/08/97

RUN TIME: 11:49:10

KEY NUMBER	PART NUMBER	DESCRIPTION	QUANTITY
54	124434	REED SWITCH	1
55	106132	WIRE HARNESS	1
56	105825	SMALL BUMPER	2
57	013561	HANDLEBAR BOLT	2
58	107176	LEFT HANDLEBAR W/FOAM	1
59	107162	RIGHT HANDLEBAR W/FOAM	1
60	102856	HANDLEBAR FOAM GRIP	2
61	013162	MOUNTING SCREW	8
62	105098	STABILIZER	1
63	013207	STABILIZER BOLT	2
64	014041	STABILIZER WASHER	2
65	012082	STABILIZER NUT	2
66	040134	STABILIZER ENDCAP	4
67	112498	LT SIDE SHIELD W/DECAL *	1
.	.	NLA SIDE SHIELD DECAL	1
68	124338	RT SIDE SHIELD W/DECAL	1
.	.	NOTE: THIS REPLACEMENT	1
.	.	ASSY IS BLACK SIDESHIELDS	1
69	107370	SIDE SHIELD BOLT	3
70	103762	SIDE SHIELD NUT	3
.	.	NON-ILLUSTRATED PARTS:	0
#	045010	ALLEN WRENCH	1
#	NLA	L/R SIDE SHIELD DECAL	2
#	112137	OWNER'S MANUAL	1
.	112500	LITERATURE PACKET	1
.	.	112137 OWNER'S MANUAL	1
.	.	101508 PULSE EARCLIP	1
.	.	100933 POWER KEY	1
.	.	105932 HARDWARE KIT	1
.	.	013561 HANDLEBAR BOLT	2
.	.	045010 ALLEN WRENCH	1
.	.	014041 STAB. WASHER	2
.	.	012082 STABILIZER NUT	2
.	.	013207 STABILIZER BOLT	2
.	.	045010 ALLEN WRENCH	1
.	.	*--THESE ARE ESTIMATED	0
.	.	COSTS!!!!	0