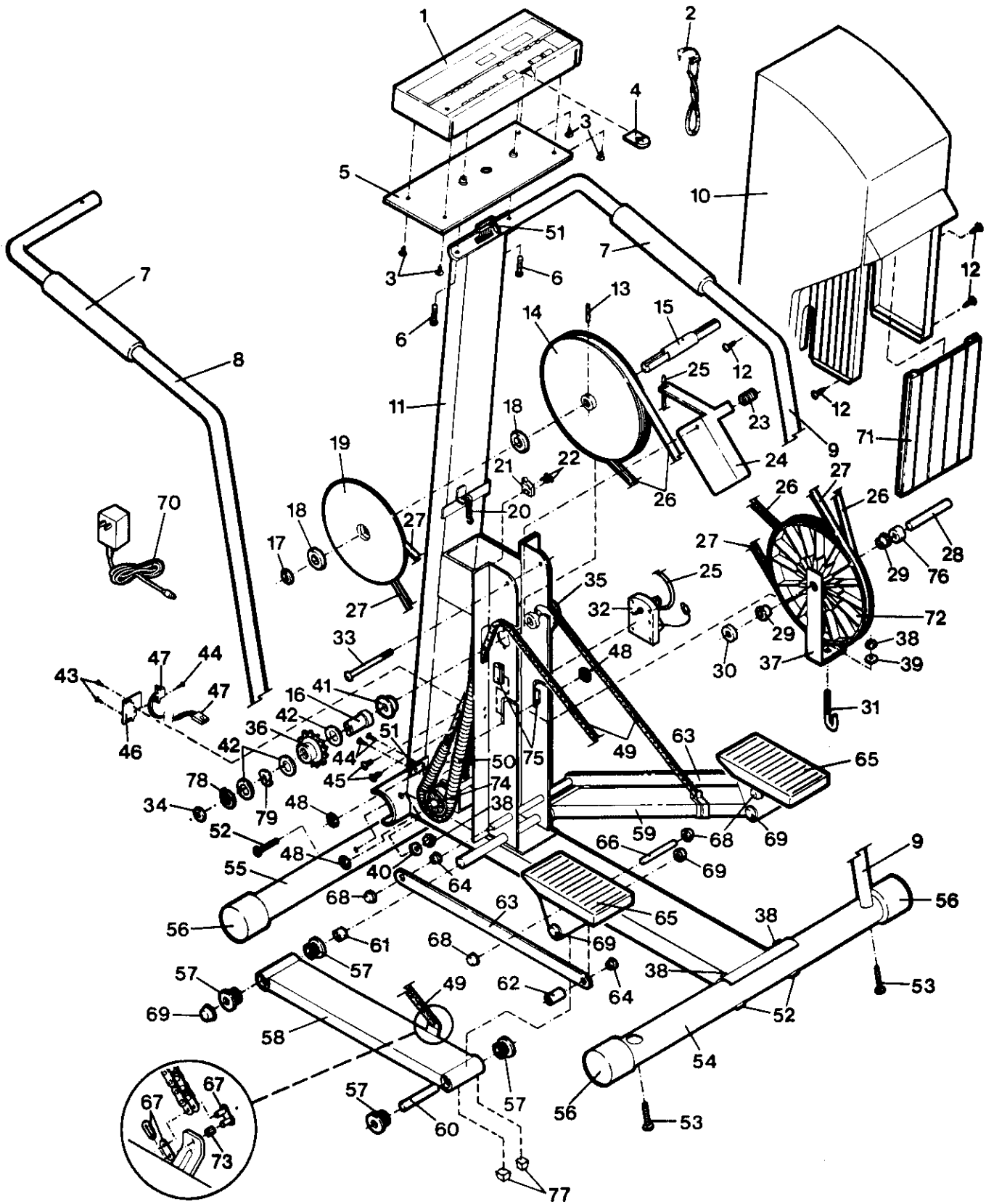


# EXPLODED VIEW—Model No. PF300131/PF3001E1

Rev. 3/93



MODEL NUMBER: PF30013  
 VERSION: 01  
 PRODUCT NAME: PROFORM 3001  
 PRODUCT DESC: STEPPER

MODEL/PART BOOK LISTING

RUN DATE: 6/13/96

RUN TIME: 7:44:28

KEY NUMBER	PART NUMBER	DESCRIPTION	QUANTITY
.	.	PROFORM 3001 STEPPER	0
.	.	NOTE: SOME OF THE VERSION	0
.	.	1 WERE ALSO MADE WITH THE	0
.	.	VERSION 0 CLUTCH & PARTS	0
.	.	SEE KEY 34, 35, 36, 41,	0
.	.	42, 78, 79 OF VER. 0	0
1	112689	PROGRAMMABLE CONSOLE ASY.	1
2	119946	PULSE/CLOTHES CLIP ASSY.	1
3	013423	CONSOLE SCREW	4
4	100933	POWER KEY	1
5	104277	CONSOLE BRACKET ASSEMBLY	1
6	013561	CONSOLE BOLT	2
7	103956	SIDE RAIL FOAM GRIP	2
8	108015	LEFT SIDE RAIL ASSEMBLY	1
.	.	108009 LEFT SIDE RAIL	1
.	.	103956 FOAM GRIP	1
.	.	103691 SPIDER NUT	1
9	108016	RIGHT SIDE RAIL ASSEMBLY	1
.	.	108010 RIGHT SIDE RAIL	1
.	.	103956 FOAM GRIP	1
.	.	103691 SPIDER NUT	1
10	112705	SIDE SHIELD ASSEMBLY	1
.	.	110653 LEFT SIDE SHIELD	1
.	.	110652 RIGHT SIDE SHIELD	1
.	.	112538 SIDE SHIELD DECAL	2
11	NSP	FRAME	1
12	013162	SCREW	4
13	109701	ROLL PIN	1
14	109555	DRIVE PULLEY	1
15	115635	DRIVE AXLE	1
16	112729	SPROCKET BUSHING	2
17	110651	THIN SPACER	1
18	018030	BEARING	2
19	109556	RESISTANCE DISK	1
20	109570	SMALL TENSION SPRING	1
21	111070	LIMIT SWITCH	1
22	107276	LIMIT SWITCH SCREW	2
23	109571	LARGE TENSION SPRING	1
24	113389	TENSION BRACKET	1
25	116267	TENSION ROPE	1
26	109560	DRIVE BELT	1
27	109559	TENSION PULLEY BELT	1
28	109565	PULLEY AXLE	1
29	111007	TENSION PULLEY BUSHING	2
30	112628	PULLEY AXLE SPACER	1
31	111011	J-BOLT	1
32	110221	TENSION MOTOR	1
33	104925	ADJUSTMENT BOLT	1
34	112488	LARGE PUSHNUT	2
35	118108	R/L SPROCKET ASSEMBLY	1
36	.	SEE KEY # 35	1
37	111009	PULLEY BRACKET	1
38	012082	NUT	5
39	014131	J-BOLT WASHER	1

MODEL NUMBER: PF30013  
 VERSION: 01  
 PRODUCT NAME: PROFORM 3001  
 PRODUCT DESC: STEPPER

MODEL/PART BOOK LISTING

RUN DATE: 6/13/96  
 RUN TIME: 7:44:28

KEY NUMBER	PART NUMBER	DESCRIPTION	QUANTITY
40	014041	STABILIZER WASHER	4
41	109553	TABBED BUSHING	2
42	102350	SHAFT WASHER	6
43	013162	SENSOR BRACKET SCREW	2
44	100307	SMALL SCREW	3
45	101049	TENSION MOTOR SCREW	2
46	116937	SENSOR BRACKET	1
47	110220	OPTICAL SENSOR/WIRE	1
48	105496	SMALL PUSHNUT	4
49	107514	PEDAL CHAIN	2
50	124855	PEDAL SPRING	2
51	109575	WIRE HARNESS/POWER PLUG	1
52	013207	CARRIAGE BOLT	4
53	104049	SIDE RAIL MOUNTING BOLT	2
54	108008	REAR STABILIZER	1
55	102338	FRONT STABILIZER	1
56	103687	STABILIZER ENDCAP	4
57	100048	PEDAL BUSHING	8
58	112829	LEFT PEDAL LEG ASSEMBLY	1
	.	109542 LEFT PEDAL LEG	1
	.	100048 PEDAL BUSHING	4
	.	103735 3/4" AXLECAP	3
	.	111374 CONSUMER NOTICE	1
59	112830	RIGHT PEDAL LEG ASSEMBLY	1
	.	109546 RIGHT PEDAL LEG	1
	.	100048 PEDAL BUSHING	4
	.	103735 3/4" AXLECAP	3
	.	111374 CONSUMER NOTICE	1
60	103902	LOWER PEDAL AXLE	2
61	103672	FRONT SPACER	2
62	109364	LINK ARM SPACER	2
63	111376	LINK ARM ASSEMBLY	2
	.	103675 LINK ARM	1
	.	100150 AXLECAP, 1/2"	3
	.	103735 AXLECAP, 3/4"	3
	.	111374 CN-AXLECAP	1
	.	107490 WARNING DECAL	1
	.	103677 BUSHING	2
64	103677	LINK ARM BUSHING	4
65	111375	PEDAL ASSEMBLY	2
	.	109009 PEDAL	1
	.	100150 1/2" AXLECAP	2
	.	103735 3/4" AXLECAP	2
	.	111374 CONSUMER NOTICE	1
66	103871	LINK ARM AXLE	2
67	104111	MASTER LINK ASSEMBLY	4
68	103903	SMALL AXLECAP, 1/2"	6
69	103735	LARGE AXLECAP, 3/4"	6
70	110307	POWER CORD	1
71	110654	ACCESS COVER	1
72	109557	TENSION PULLEY	1
73	102353	MASTER LINK BUSHING	4
74	103341	PULLEY	2
75	112480	AXLE SHIM	2

MODEL NUMBER: PFS0013  
 VERSION: 01  
 PRODUCT NAME: PROFORM 3001  
 PRODUCT DESC: STEPPER

MODEL/PART BOOK LISTING

RUN DATE: 6/13/96

RUN TIME: 7:44:28

KEY NUMBER	PART NUMBER	DESCRIPTION	QUANTITY
76	112627	LARGE SPACER	1
77	019183	BUMPER	4
78	104365	RETAINER CLIP	2
79	102960	SPRING WASHER	2
.	.	NON-ILLUSTRATED PARTS:	0
#	112737	KEY	2
#	112538	L/R SIDE SHIELD DECAL	2
#	107490	LINK ARM WARNING DECAL	2
#	112734	OWNER'S MANUAL	1
#	112735	LITERATURE PACKET	1
.	.	112734 OWNER'S MANUAL	1
.	.	112589 PULSE EARCLIP	1
.	.	100933 POWER KEY	1
.	.	019183 BUMPER	4
.	.	103739 HARDWARE KIT	1
.	.	013207 CARRIAGE BOLT	4
.	.	012082 NUT	4
.	.	013423 CONSOLE SCREW	4
.	.	014041 STAB. WASHER	4
.	.	013561 CONSOLE BOLT	2
.	.	045010 ALLEN WRENCH	1
.	.	016028 TOOL CLAMP	1
.	.	104049 SDRAIL MTC BOLT	2