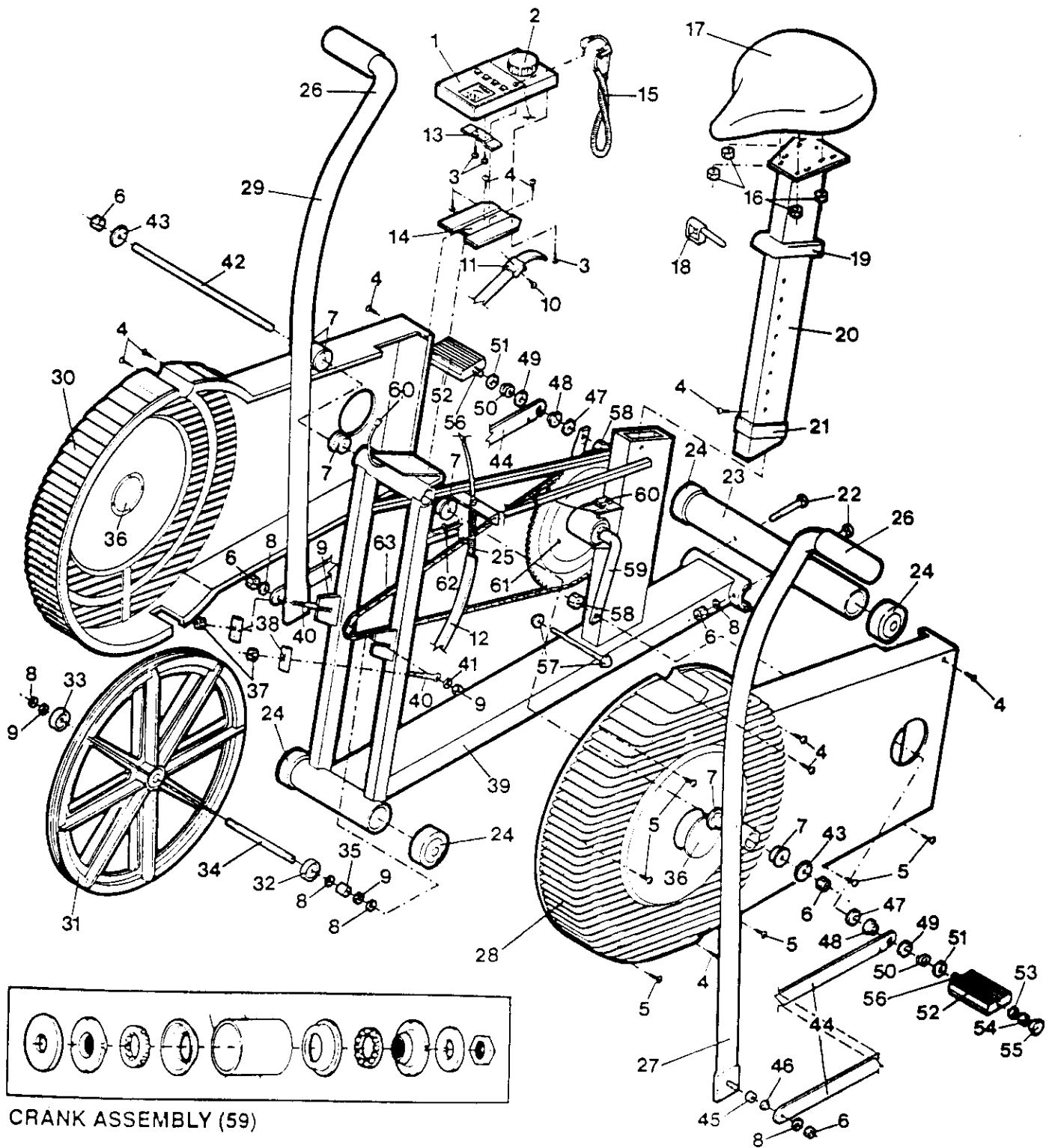


EXPLODED DRAWING - Model No. PF310110

Rev. 7/91



MODEL NUMBER: PF31011

MODEL/PART BOOK LISTING

PAGE 1

VERSION: 00

INI023P1

PRODUCT NAME: AIROBIC CYCLE

RUN DATE: 8/25/92

PRODUCT DESC: VARIABLE RESISTANCE CALORIE/MONITOR

RUN TIME: 13:51:13

KEY NUMBER	PART NUMBER	DESCRIPTION	QUANTITY
1	100910	ELECTRONIC MONITOR	1
2	101465	RESISTANCE KNOB	1
3	013516	CONSOLE SCREW	4
4	103502	SCREW	9
5	013088	SIDE SHIELD SCREW	6
6	012082	NUT	6
7	103625	HANDLEBAR BUSHING	6
8	014041	WASHER	7
9	012065	FAN NUT	4
10	101288	TENSION BUCKLE SCREW	1
11	050001	TENSION BUCKLE	1
12	100261	RESISTANCE STRAP	1
13	101603	MOUNTING BRACKET	1
14	101602	MOUNTING PLATE	1
15	101508	PULSE MONITOR CLIP	1
16	012096	SEAT NUT	4
17	105022	SEAT	1
18	105023	SEAT POST PIN	1
19	105026	SEAT POST SLEEVE	1
20	101663	SEAT POST	1
21	103252	INNER SLEEVE	1
22	013207	CARRIAGE BOLT	2
23	101656	REAR STABILIZER	1
24	040134	ENDCAP	4
25	102037	SPRING ASSEMBLY	1
26	105025	HANDLEBAR FOAM GRIP	2
27	108984	LEFT HANDLEBAR W/FOAM	1
	.	105037 LEFT HANDLEBAR	1
	.	105025 FOAM GRIP	1
28	108991	LEFT SIDE SHIELD W/DECAL	1
	.	105779 LEFT SIDE SHIELD	1
	.	103953 SIDE SHIELD DECAL	1
29	108985	RIGHT HANDLEBAR W/FOAM	1
	.	105040 RIGHT HANDLEBAR	1
	.	105025 FOAM GRIP	1
30	108992	RIGHT SIDE SHIELD W/DECAL	1
	.	101685 RIGHT SIDE SHIELD	1
	.	103953 SIDE SHIELD DECAL	1
31	106774	FAN ASSEMBLY (W/BUSHINGS)	1
32	018007	FAN BEARING	1
	.	NOTE: IF KEY #32(BEARING)	0
	.	IS SILVER USE 018007, IF	0
	.	IT IS BRASS USE 104824.	0
33	100475	FAN BEARING ASSEMBLY	1
	.	NOTE: IF KEY #32(BEARING)	0
	.	IS SILVER USE 100475, IF	0
	.	IT IS BRASS USE 104824.	0
34	100682	AXLE SHAFT	1
	.	NOTE: IF KEY #32(BEARING)	0
	.	IS SILVER USE 100682, IF	0
	.	IT IS BRASS USE 104825.	0
35	101759	AXLE SPACER	1
	.	NOTE: IF KEY #32(BEARING)	0
	.	IS SILVER USE 101759, IF	0

MODEL NUMBER: PF31011

MODEL/PART BOOK LISTING

PAGE 2

VERSION: 00

INI023P1

PRODUCT NAME: AEROBIC CYCLE

RUN DATE: 8/25/92

PRODUCT DESC: VARIABLE RESISTANCE CALORIE/MONITOR

RUN TIME: 13:51:13

KEY NUMBER	PART NUMBER	DESCRIPTION	QUANTITY
.	.	IT IS BRASS USE 014073.	0
36	106105	ACCESS COVER	2
37	012096	ADJUSTMENT NUT	2
38	100128	ADJUSTMENT BRACKET	2
39	NSP	FRAME	1
40	101894	ADJUSTMENT BOLT	2
41	014087	OUTER FAN WASHER	2
42	100324	PIVOT SHAFT	1
43	014087	LARGE WASHER	2
44	108161	L/R LINK ARM W/DECAL	2
.	.	101679 LINK ARM	1
.	.	105550 LINK ARM DECAL	1
45	103550	LINK ARM SPACER	2
46	100364	LINK ARM BUSHING	2
47	101494	SHAFT WASHER	2
48	101036	PEDAL BUSHING	2
49	101460	PEDAL WASHER	2
50	103571	PEDAL SPRING	2
51	101459	SPRING WASHER	2
52	101683	PEDAL	2
53	014012	OUTER PEDAL WASHER	2
54	012002	OUTER PEDAL NUT	2
55	040158	PEDAL CAP	2
56	100905	PEDAL SHAFT	2
57	101768	AXLECAP	2
58	100904	SHAFT NUT	2
59	100639	CRANK/SPROCKET ASSEMBLY	1
.	.	101115 CRANK	1
.	.	101116 SPROCKET	1
.	.	110465 HARDWARE ASSEMBLY	1
.	.	018001 BEARING	2
.	.	019003 BEARING CUP	2
.	.	014008 FLAT WASHER	1
.	.	014009 KEYED WASHER	1
.	.	012010 NUT W/2 SLOTS	1
.	.	012011 NUT W/3 SLOTS	1
.	.	012012 HEX NUT	1
.	.	106881 CONSUMER NOTICE	1
60	100949	REED SWITCH/SENSOR WIRE	1
61	100498	SENSOR MAGNET	1
62	102585	CABLE TIE ASSEMBLY	5
63	105032	CHAIN	1
.	.	NON-ILLUSTRATED PARTS:	0
A	014131	LINK ARM WASHER	2
B	105550	L/R LINK ARM DECAL	2
C	103953	L/R SIDE SHIELD DECAL	2
D	045028	SOCKET TUBE	1
E	101324	PHILLIPS DRIVER/WRENCH	1
F	101463	MONITOR OPERATION GUIDE	1
G	105415	OWNERS MANUAL	1
.	105416	LITERATURE PACKET	1
.	.	105415 OWNERS MANUAL	1
.	.	101463 MON. OPER. GUIDE	1
.	.	101508 PULSE EARCLIP	1

MODEL NUMBER: PF31011

MODEL/PART BOOK LISTING

PAGE 3

VERSION: 00

INI023P1

PRODUCT NAME: AEROBIC CYCLE

RUN DATE: 8/25/92

PRODUCT DESC: VARIABLE RESISTANCE CALORIE/MONITOR

RUN TIME: 13:51:13

KEY NUMBER	PART NUMBER	DESCRIPTION	QUANTITY
.	105540	HARDWARE PACKET	1
.	013207	CARRIAGE BOLT	2
.	014131	WASHER	2
.	012082	NUT	6
.	105023	SEAT PIN	1
.	100364	LINK ARM BUSHING	2
.	103550	LINK ARM SPACER	2
.	045028	SOCKET TUBE	1
.	101324	PH DRIVER/WRENCH	1
.	014041	WASHER	6