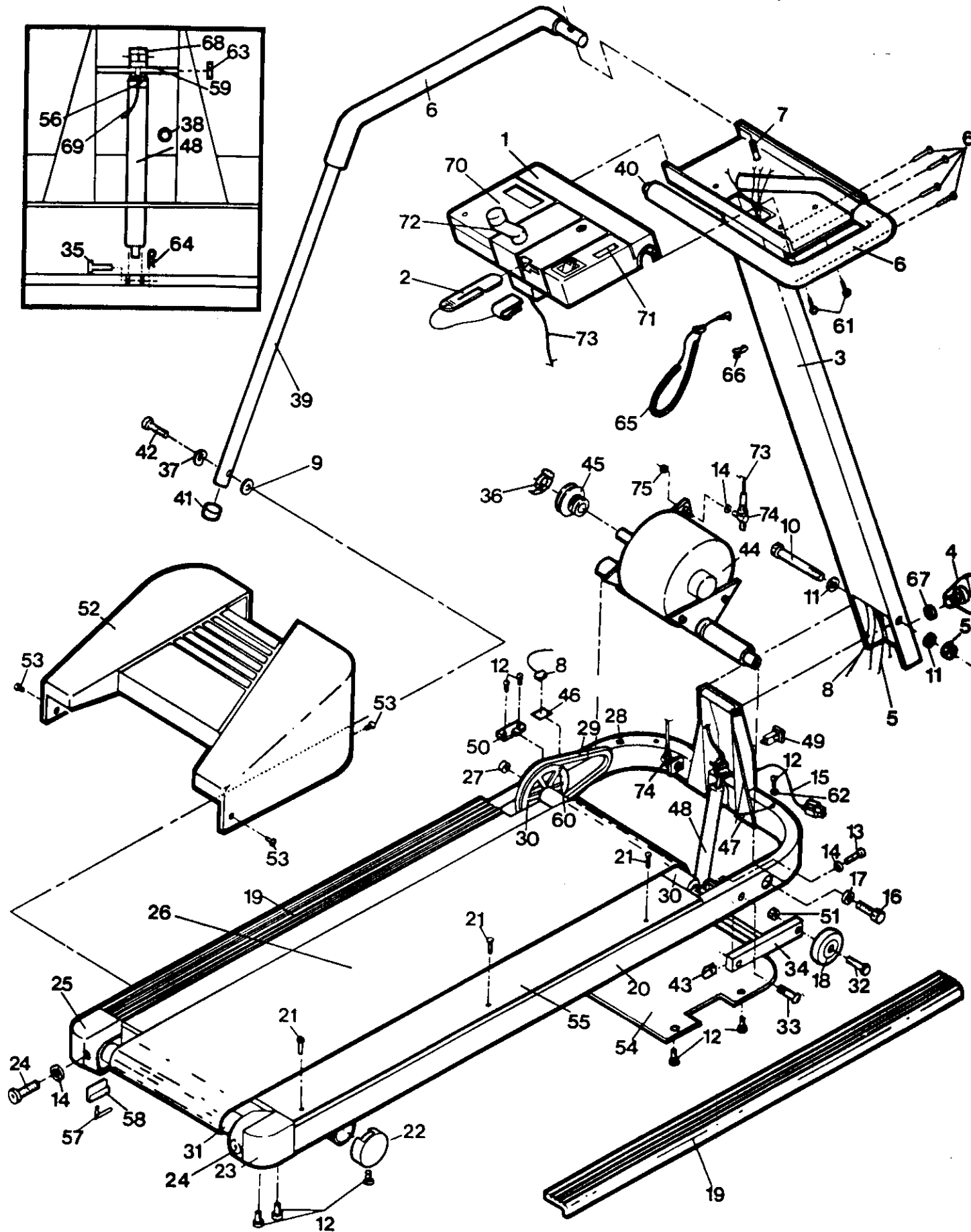


EXPLODED DRAWING - Model No. PF350300

Rev. 7/90

Specifications are subject to change without notice.



MODEL NUMBER: PF35030
 VERSION: 00
 PRODUCT NAME: PROFORM 5.0A
 PRODUCT DESC: AUTO INCLINE

MODEL /PART BOOK LISTING

PAGE 1
 INI023P1
 RUN DATE: 11/19/91
 RUN TIME: 10:58:32

KEY NUMBER	PART NUMBER	DESCRIPTION	QUANTITY
1	103452	CONSOLE ASSEMBLY	1
2	070853	SAFETY KEY/CLIP	1
3	103419	UPRIGHT POST	1
4	017088	LOCK KNOB	1
5	031231	ON/OFF SWITCH WIRE	1
6	041042	FOAM GRIP	1
7	013522	SHORT SIDE RAIL BOLT	1
8	033208	SENSOR WIRE/REED SWITCH	1
9	014086	FLAT WASHER	1
10	013485	HINGE BOLT	1
11	014132	HINGE WASHER	2
12	013162	SMALL SCREW	16
13	013275	FRONT ADJUSTMENT BOLT	1
14	014063	WASHER	5
15	031229	POWER CORD	1
16	013500	SWIVEL SHAFT BOLT	2
17	014066	SWIVEL SHAFT WASHER	2
18	052014	WHEEL	2
19	010175	FOOT RAIL	2
20	NSP	FRAME	1
.	.	044525 FRAME DECAL	1
21	013494	LARGE SCREW	6
22	040156	LEG CAP	2
23	008195	RIGHT ROLLER BRACKET	1
24	013206	REAR ADJUSTMENT BOLT	2
25	008194	LEFT ROLLER BRACKET	1
26	025057	WALKING BELT	1
27	019110	ROLLER BUSHING	1
28	016055	SENSOR WIRE CLIP	4
29	100410	V-BELT	1
30	103075	FRONT ROLLER/PULLEY ASSY.	1
.	.	(MUST BE SENT PRESSED	0
.	.	TOGETHER, NSP SEPARATELY)	0
.	.	070085 ROLLER	1
.	.	102131 PULLEY	1
31	070084	REAR ROLLER	1
32	013581	WHEEL BOLT	2
33	013561	LIFT FRAME BOLT	2
34	101391	LIFT FRAME	1
35	101639	SHOCK PIN	1
36	016026	CLAMP	1
37	014094	FORMED WASHER	1
38	019084	RUBBER GROMMET	1
39	102180	LEFT SIDE RAIL W/FOAM	1
.	.	003069 LEFT SIDE RAIL	1
.	.	041068 FOAM GRIP	1
.	.	040132 ENDCAP	1
40	040119	HANDLEBAR ENDCAP	1
41	040132	SIDE RAIL ENDCAP	1
42	013575	LONG SIDE RAIL BOLT	1
43	012179	U-NUT	2
44	107630	MOTOR ASSEMBLY	1
45	020051	MOTOR PULLEY	1
46	062035	FASTENER STRIP	2

MODEL NUMBER: PF35030
 VERSION: 00
 PRODUCT NAME: PROFORM 5.0A
 PRODUCT DESC: AUTO INCLINE

MODEL/PART BOOK LISTING

PAGE 2
 INI023P1
 RUN DATE: 11/19/91
 RUN TIME: 10:58:32

KEY NUMBER	PART NUMBER	DESCRIPTION	QUANTITY
47	031182	GROUND WIRE	1
48	043036	SHOCK	1
49	031036	CIRCUIT BREAKER	1
50	016050	ROLLER LOCK	1
51	012149	NUT	2
52	104224	MOTOR HOOD W/DECAL	1
.	009126	MOTOR HOOD	1
.	044648	MOTOR HOOD DECAL	1
53	013511	HOOD MOUNTING SCREW	4
54	040189	SAFETY COVER	1
55	053025	WALKING PLATFORM	1
56	059019	RUBBER SHOCK CUSHION	1
57	045010	ALLEN WRENCH	1
58	016028	TOOL CLAMP	1
59	008204	SHOCK MOUNTING BRACKET	1
60	033066	SENSOR MAGNET	1
61	013322	CONSOLE MOUNTING SCREW	8
62	014142	STAR WASHER	1
63	012133	PUSH NUT	1
64	015043	HAIR PIN COTTER	1
65	033007	PULSE MONITOR CLIP	1
66	054016	CLOTHES CLIP	1
67	014156	LOCK KNOB WASHER	1
68	088004	SHOCK RELEASE	1
69	088005	SHOCK RELEASE CABLE	1
70	032116	ELECTRONIC MONITOR	1
71	088001	INCLINE INDICATOR	1
72	017066	SPEED CRANK	1
73	026030	SPEED ADJUSTMENT ASSEMBLY	1
74	072040	TENSION SWIVEL	2
75	012090	TENSION SWIVEL NUT	2
#	044648	HOOD DECAL	1
#	044525	FRAME DECAL	1
#	102718	MONITOR OPERATION GUIDE	1
#	101397	OWNERS MANUAL	1
.	101393	LITERATURE PACKET	1
.	101397	OWNERS MANUAL	1
.	101378	CUST CONV. DECAL	1
.	102718	MON. OPER. GUIDE	1
.	100469	WARRANTY CARD	1
.	033007	PULSE CLIP	1
.	054013	CLOTHES CLIP	1
.	031203	SAFETY KEY	1
.	017088	LOCK KNOB	1
.	014156	LOCK KNOB WASHER	1
.	075146	HARDWARE KIT	1
.	016028	TOOL CLAMP	1
.	045010	ALLEN WRENCH	1
.	013575	2" BOLT	1
.	013522	1" BOLT	1
.	014094	FORMED WASHER	1
.	014086	FLAT WASHER	1