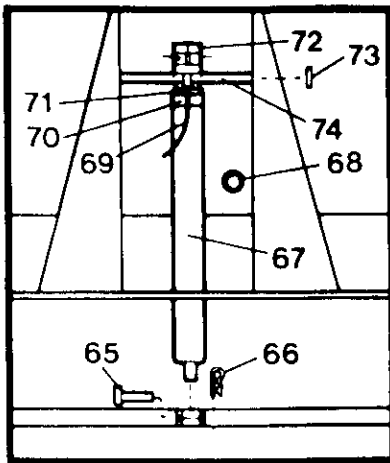
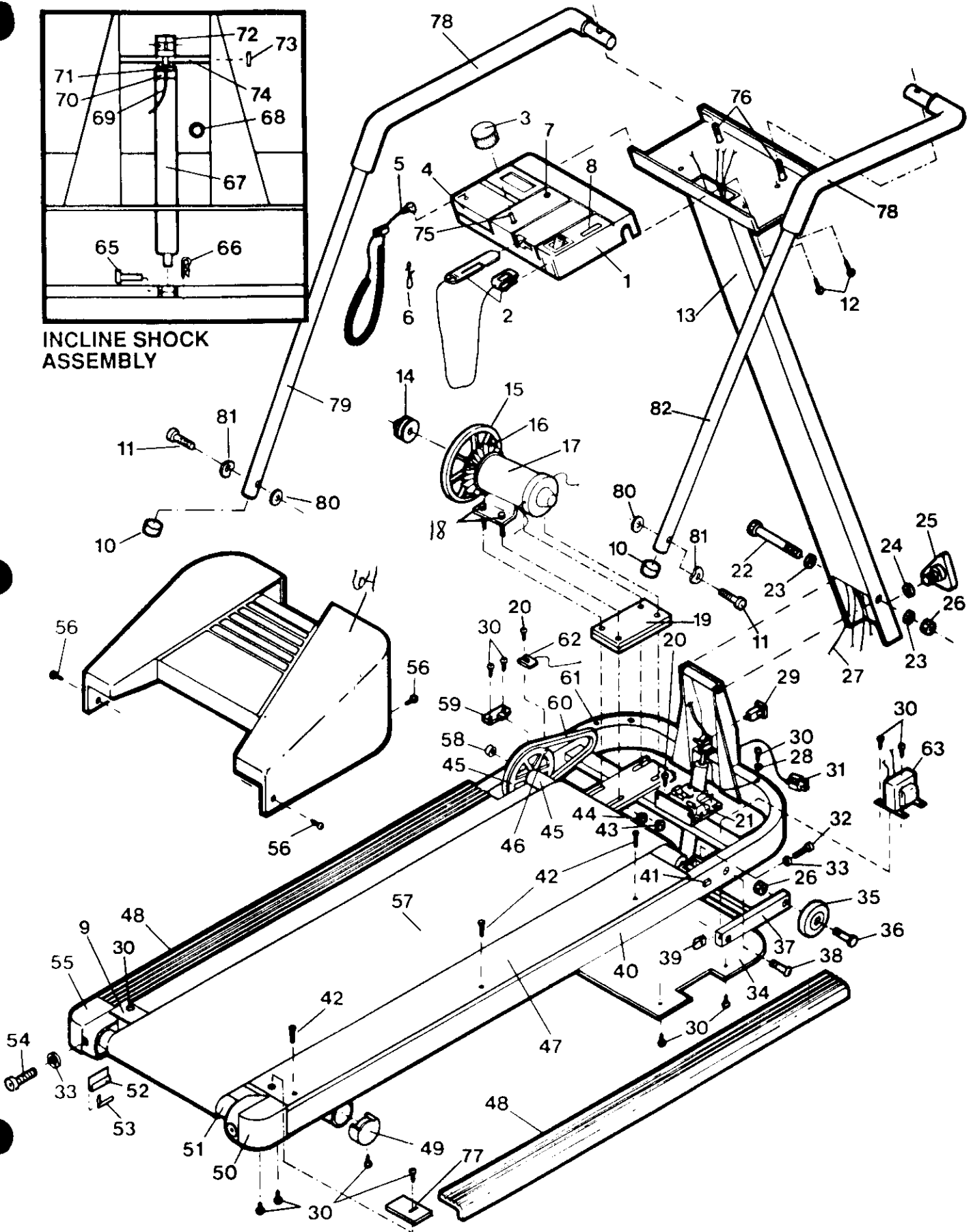


EXPLODED DRAWING - Model No. PF350700

Rev. 7/90



INCLINE SHOCK ASSEMBLY



Specifications are subject to change without notice.

MODEL NUMBER: PF35070
VERSION: 00
PRODUCT NAME: PROFORM ADVANTAGE
PRODUCT DESC: TREADMILL

MODEL/PART BOOK LISTING

PAGE 1
INI023P1
RUN DATE: 5/08/97
RUN TIME: 19:46:26

KEY NUMBER	PART NUMBER	DESCRIPTION	QUANTITY
1	101752	CONSOLE ASSEMBLY	1
2	070853	SAFETY KEY/CLIP	1
3	100014	SPEED CONTROL KNOB	1
4	128684	ELECTRONIC MONITOR	1
5	119946	PULSE/CLOTHES CLIP ASSY.	1
6	054013	CLOTHES CLIP	1
7	033161	POWER INDICATOR	1
8	088001	INCLINE INDICATOR	1
9	010206	ROLLER GUARD	2
10	040132	SIDE HANDRAIL ENDCAP	2
11	013575	LONG HANDRAIL BOLT	1
12	013322	CONSOLE MOUNTING SCREW	4
13	007100	UPRIGHT POST	1
14	100967	MOTOR PULLEY	1
15	021048	FLYWHEEL	1
16	031226	FAN	1
17	106276	MOTOR ASSEMBLY	1
18	013391	MOTOR BOLT	4
19	019259	MOTOR MOUNT SPACER	2
20	013300	SMALL SCREW	4
21	031189	CONTROLLER	1
22	013485	HINGE BOLT	1
23	014132	HINGE WASHER	2
24	014156	LOCK KNOB WASHER	1
25	017088	LOCK KNOB	1
26	012149	LOCK NUT	3
27	031231	ON/OFF WIRE	1
28	014157	STAR WASHER	1
29	109383	CIRCUIT BREAKER	1
30	013162	SCREW	19
31	031229	POWER CORD	1
32	013275	FRONT ROLLER ADJ. BOLT	1
33	014063	ADJUSTMENT WASHER	3
34	NLA	SAFETY COVER	1
35	052014	FRONT WHEEL	2
36	013581	WHEEL BOLT	2
37	103477	LIFT FRAME	1
38	013561	LIFT FRAME BOLT	2
39	012179	U-NUT	2
40	NSP	FRAME	1
41	041043	HOOD CUSHION	4
42	013494	LARGE SCREW	6
43	012082	MOTOR NUT	4
44	014041	MOTOR WASHER	4
45	103075	FRONT ROLLER/PULLEY ASSY.	1
46	100498	SENSOR MAGNET	1
47	053025	WALKING PLATFORM	1
48	010175	FOOT RAIL	2
49	040156	REAR LEG ENDCAP	2
50	101360	RIGHT ROLLER BRACKET	1
51	070084	REAR ROLLER	1
52	016028	TOOL CLAMP	1
53	045010	ALLEN WRENCH	1
54	013206	REAR ADJUSTMENT BOLT	2

MODEL NUMBER: PF35070
 VERSION: 00
 PRODUCT NAME: PROFORM ADVANTAGE
 PRODUCT DESC: TREADMILL

MODEL/PART BOOK LISTING

PAGE 2
 INI023P1
 RUN DATE: 5/08/97
 RUN TIME: 19:46:26

KEY NUMBER	PART NUMBER	DESCRIPTION	QUANTITY
55	101359	LEFT ROLLER BRACKET	1
56	013511	MOTOR HOOD SCREW	4
57	126255	WALKING BELT ASSEMBLY	1
.	.	124299 WALKING BELT	1
.	.	107109 NAIL	12
.	.	110237 REPLACEMENT INSTR.	1
58	019110	ROLLER BUSHING	1
59	016050	ROLLER LOCK	1
60	100410	V-BELT	1
61	016055	SENSOR WIRE CLIP	4
62	115569	SENSOR WIRE/REED SWITCH	1
63	031238	CHOKE	1
64	102545	MOTOR HOOD W/DECAL	1
.	.	009126 MOTOR HOOD	1
.	.	101090 MOTOR HOOD DECAL	1
65	101639	SHOCK PIN	1
66	015043	COTTER PIN	1
67	043036	SHOCK	1
68	019084	GROMMET	1
69	088005	SHOCK RELEASE CABLE	1
70	059019	SHOCK CUSHION	1
71	.	NOT USED	0
72	088004	SHOCK RELEASE	1
73	012133	PUSH NUT	1
74	008204	SHOCK MOUNTING BRACKET	1
75	031122	SPEED POTENTIOMETER ASSY.	1
76	013522	SHORT HANDRAIL BOLT	2
77	.	SEE #9	0
78	041068	SIDE RAIL FOAM GRIP	2
79	102180	LEFT SIDE RAIL W/FOAM	1
.	.	104651 LEFT SIDE RAIL	1
.	.	041068 FOAM GRIP	1
.	.	040132 ENDCAP	1
80	014086	HANDRAIL WASHER	2
81	014094	FORMED WASHER	2
82	102181	RIGHT SIDE RAIL W/FOAM	1
.	.	101105 RIGHT SIDE RAIL	1
.	.	041068 FOAM GRIP	1
.	.	040132 ENDCAP	1
.	.	NON-ILLUSTRATED PARTS:	0
A	NLA	FRAME DECAL	2
B	101090	MOTOR HOOD DECAL	1
C	102718	MONITOR OPERATION GUIDE	1
D	101092	OWNERS MANUAL	1
.	102223	LITERATURE PACKET	1
.	.	101092 OWNERS MANUAL	1
.	.	102718 MON. OPER. GUIDE	1
.	.	033023 9-VOLT BATTERY	1
.	.	100019 BATTERY COVER	1
.	.	101508 PULSE EARCLIP	1
.	.	054013 CLOTHES CLIP	1
.	.	031203 SAFETY KEY	1
.	.	017088 LOCK KNOB	1
.	.	014156 LOCK KNOB WASHER	1

MODEL NUMBER: PF35070
VERSION: 00
PRODUCT NAME: PROFORM ADVANTAGE
PRODUCT DESC: TREADMILL

MODEL/PART BOOK LISTING

PAGE 3
INI023P1
RUN DATE: 5/08/97
RUN TIME: 19:46:26

KEY NUMBER	PART NUMBER	DESCRIPTION	QUANTITY
.		100566 HARDWARE KIT	1
.		016028 TOOL CLAMP	1
.		045010 ALLEN WRENCH	1
.		013575 2" BOLT	2
.		013522 1" BOLT	2
.		014094 FORMED WASHER	2
.		014086 FLAT WASHER	2