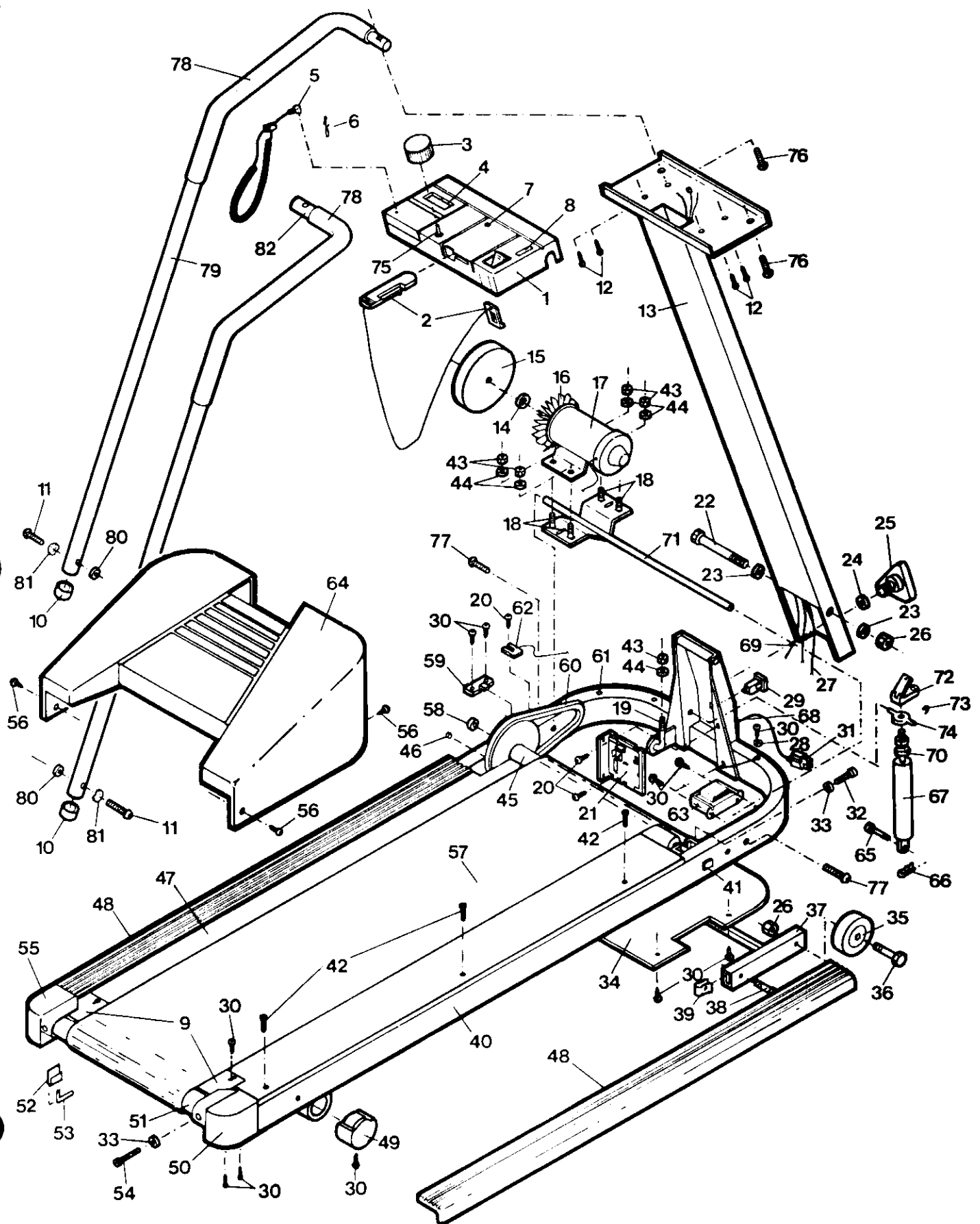


EXPLODED DRAWING - Model No. PF350701

Rev 9/90



Specifications are subject to change without notice.

MODEL NUMBER: PF35070
VERSION: 01
PRODUCT NAME: PF35070
PRODUCT DESC:

MODEL/PART BOOK LISTING

PAGE 1
INI023P1
RUN DATE: 2/07/97
RUN TIME: 19:46:22

KEY NUMBER	PART NUMBER	DESCRIPTION	QUANTITY
1	101752	CONSOLE ASSEMBLY	1
2	070853	SAFETY KEY/CLIP	1
3	100014	SPEED CONTROL KNOB	1
4	128684	ELECTRONIC MONITOR	1
5	119946	PULSE/CLOTHES CLIP ASSY.	1
6	054013	CLOTHES CLIP	1
7	033161	POWER INDICATOR	1
8	088001	INCLINE INDICATOR	1
9	010206	ROLLER GUARD	2
10	040132	SIDE RAIL ENDCAP	2
11	013575	LONG HANDRAIL BOLT	2
12	013322	CONSOLE MOUNTING SCREW	4
13	007100	UPRIGHT POST	1
14	102603	FAN PUSH NUT	1
15	102185	FLYWHEEL/PULLEY ASSY.	1
16	031226	FAN	1
17	107327	MOTOR ASSEMBLY	1
	.	116197 MOTOR	1
	.	100147 FLYWHL/PULLEY/FAN	1
	.	102087 SWIVEL BRACKET	1
	.	116878 HARDWARE KIT	1
18	013445	MOTOR BOLT	4
19	103855	J-BOLT	1
20	013300	SMALL SCREW	3
21	129854	CONTROLLER W/RI	1
22	013485	HINGE BOLT	1
23	014132	HINGE WASHER	2
24	014156	LOCK KNOB WASHER	1
25	017088	LOCK KNOB	1
26	012149	LOCK NUT	3
27	031231	ON/OFF WIRE	1
28	014157	STAR WASHER	1
29	031036	CIRCUIT BREAKER	1
30	013162	SCREW	19
31	031229	POWER CORD	1
32	013275	FRONT ROLLER ADJ. BOLT	1
33	014063	ADJUSTMENT WASHER	3
34	104530	SAFETY COVER	1
35	052014	FRONT WHEEL	2
36	013581	WHEEL BOLT	2
37	101391	LIFT FRAME	1
38	013561	LIFT FRAME BOLT	2
39	012179	U-NUT	2
40	NSP	FRAME	1
41	041043	HOOD CUSHION	2
42	013494	PLATFORM SCREW	6
43	012082	MOTOR NUT	5
44	101630	MOTOR WASHER	5
45	102599	FRONT ROLLER/PULLEY ASSY.	1
46	100498	SENSOR MAGNET	1
47	053025	WALKING PLATFORM	1
48	010175	FOOT RAIL	2
49	040156	REAR LEG ENDCAP	2
50	101360	RIGHT ROLLER BRACKET	1

MODEL NUMBER: PF35070
VERSION: 01
PRODUCT NAME: PF35070
PRODUCT DESC:

MODEL/PART BOOK LISTING

PAGE 2
INI023P1

RUN DATE: 2/Q7/97
RUN TIME: 19:46:22

KEY NUMBER	PART NUMBER	DESCRIPTION	QUANTITY
51	070084	REAR ROLLER	1
52	016028	WRENCH CLIP	1
53	045010	ALLEN WRENCH	1
54	013206	REAR ROLLER ADJ. BOLT	2
55	101359	LEFT ROLLER BRACKET	1
56	013511	MOTOR HOOD SCREW	4
57	126255	WALKING BELT ASSEMBLY	1
.	.	124299 WALKING BELT	1
.	.	107109 NAIL	12
.	.	110237 REPLACEMENT INSTR.	1
58	019110	ROLLER BUSHING	1
59	016050	ROLLER LOCK	1
60	102789	BELT	1
61	016055	SENSOR WIRE CLIP	4
62	115569	SENSOR WIRE/REED SWITCH	1
63	031238	CHOKE	1
64	102545	MOTOR HOOD W/DECAL	1
.	.	009126 MOTOR HOOD	1
.	.	101090 MOTOR HOOD DECAL	1
65	101639	SHOCK PIN	1
66	015043	COTTER PIN	1
67	043036	SHOCK	1
68	019084	GROMMET	1
69	088005	SHOCK RELEASE CABLE	1
70	059019	SHOCK CUSHION	1
71	100582	SWIVEL SHAFT	1
72	088004	SHOCK RELEASE	1
73	054016	E-CLIP	1
74	008204	SHOCK MOUNTING BRACKET	1
75	031122	SPEED POTENTIOMETER ASSY.	1
76	013522	SHORT HANDRAIL BOLT	2
77	101627	SWIVEL SHAFT BOLT	2
78	041068	SIDE FOAM GRIP	2
79	102180	LEFT SIDE RAIL W/FOAM	1
.	.	104651 LEFT SIDE RAIL	1
.	.	041068 FOAM GRIP	1
.	.	040132 ENDCAP	1
80	014086	FLAT WASHER	2
81	014094	FORMED WASHER	2
82	102181	RIGHT SIDE RAIL W/FOAM	1
.	.	101105 RIGHT SIDE RAIL	1
.	.	041068 FOAM GRIP	1
.	.	040132 ENDCAP	1
.	.	NON-ILLUSTRATED PARTS:	0
A	101090	HOOD DECAL	1
B	NLA	FRAME DECAL	2
C	102718	MONITOR OPERATION GUIDE	1
D	102224	OWNERS MANUAL	1
.	102223	LITERATURE PACKET	1
.	.	102224 OWNERS MANUAL	1
.	.	102718 MON. OPER. GUIDE	1
.	.	101508 PULSE EARCLIP	1
.	.	054013 CLOTHES CLIP	1
.	.	031203 SAFETY CARD	1

MODEL NUMBER: PF35070
VERSION: 01
PRODUCT NAME: PF35070
PRODUCT DESC:

MODEL/PART BOOK LISTING

PAGE 3
INI023P1

RUN DATE: 2/07/97
RUN TIME: 19:46:22

KEY NUMBER	PART NUMBER	DESCRIPTION	QUANTITY
.		017088 LOCK KNOB	1
.		014156 LOCK KNOB WASHER	1
.		100566 HARDWARE KIT	1
.		016028 TOOL CLAMP	1
.		045010 ALLEN WRENCH	1
.		013575 2" BOLT	2
.		013522 1" BOLT	2
.		014094 FORMED WASHER	2
.		014086 FLAT WASHER	2