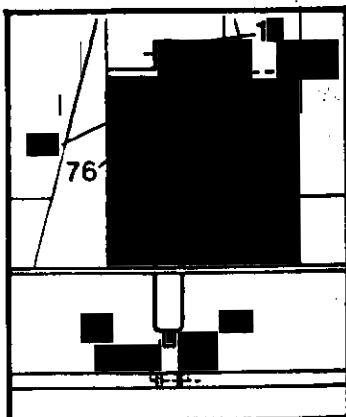


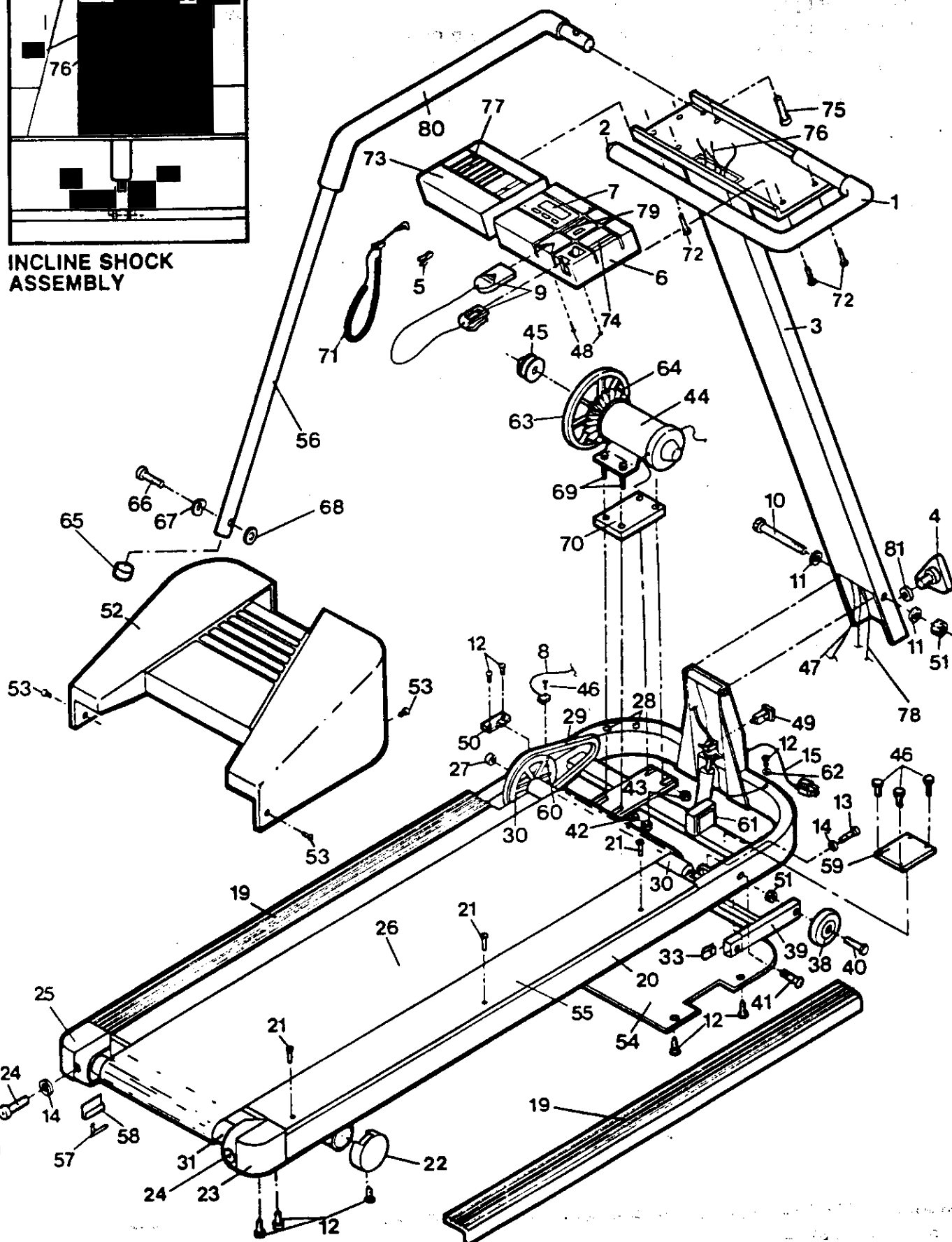
EXPLODED DRAWING - Model No. PF350900

Rev. 6/90

*Specifications are subject to change without notice.



INCLINE SHOCK ASSEMBLY



MODEL NUMBER: PF35090

MODEL/PART BOOK LISTING

PAGE 1

VERSION: 00

INI023P1

PRODUCT NAME: PROFORM EQUALIZER 6.0S

RUN DATE: 2/02/94

PRODUCT DESC:

RUN TIME: 14:22:49

KEY NUMBER	PART NUMBER	DESCRIPTION	QUANTITY
1	041042	FOAM HANDGRIP	1
2	040119	ENDCAP	1
3	007096	UPRIGHT POST	1
4	017088	LOCK KNOB	1
5	054013	CLOTHES CLIP	1
6	102858	CONSOLE	1
7	032083	ELECTRONIC MONITOR	1
8	033208	SENSOR WIRE/REED SWITCH	1
9	070843	SAFETY CARD/CLIP	1
10	013485	HINGE BOLT	1
11	014132	HINGE WASHER	2
12	013162	SMALL SCREW	19
13	013275	FRONT ROLLER ADJ. BOLT	1
14	014063	WASHER	3
15	031229	POWER CORD	1
16	043036	SHOCK	1
17	008204	SHOCK MOUNTING BRACKET	1
18	088004	SHOCK RELEASE MECHANISM	1
19	010175	FOOT RAIL	2
20	NSP	FRAME	1
21	013494	LARGE SCREW	6
22	040156	REAR LEG CAP	2
23	008195	RIGHT ROLLER BRACKET	1
24	013206	REAR ROLLER ADJ. BOLT	2
25	008194	LEFT ROLLER BRACKET	1
26	025058	WALKING BELT	1
27	019190	FRONT ROLLER BUSHING	1
28	016055	SENSOR WIRE CLIP	4
29	025055	V-BELT	1
30	022056	FRONT ROLLER/PULLEY ASSY. (MUST BE SENT PRESSED TOGETHER, NSP SEPARATELY)	1 0 0
	.	070771 ROLLER	1
	.	020031 PULLEY	1
31	070084	REAR ROLLER	1
32	019084	GROMMET	1
33	012179	U-NUT	2
34	059019	SHOCK CUSHION	1
35	015045	CLEVIS PIN	1
36	015043	COTTER PIN	1
37	012133	PUSH NUT	1
38	052014	WHEEL	2
39	004160	LIFT FRAME	1
40	013581	WHEEL MOUNTING BOLT	2
41	013561	LIFT FRAME MOUNTING BOLT	2
42	014041	FLAT WASHER	4
43	012082	FRAME LOCKNUT	4
44	105592	MOTOR ASSEMBLY	1
45	020064	MOTOR PULLEY	1
46	.	NOT USED	0
47	031231	SWITCH WIRE	1
48	013509	MONITOR SCREW	2
49	031036	CIRCUIT BREAKER	1
50	016050	ROLLER LOCK	1

MODEL NUMBER: PF35090

MODEL/PART BOOK LISTING

PAGE 2

VERSION: 00

INI023P1

PRODUCT NAME: PROFORM EQUALIZER 6.0S

RUN DATE: 2/02/94

PRODUCT DESC:

RUN TIME: 14:22:49

KEY NUMBER	PART NUMBER	DESCRIPTION	QUANTITY
51	012149	LOCK NUT	3
52	104225	MOTOR HOOD W/DECAL *	1
.	.	009126 MOTOR HOOD	1
.	.	044555 MOTOR HOOD DECAL	1
53	013511	MOTOR HOOD SCREW	4
54	040189	SAFETY COVER	1
55	053028	WALKING PLATFORM	1
56	102180	LEFT SIDE RAIL W/FOAM	1
.	.	003069 LEFT SIDE RAIL	1
.	.	041068 FOAM GRIP	1
.	.	040132 ENDCAP	1
57	045010	ALLEN WRENCH	1
58	016028	TOOL CLAMP	1
59	031189	MOTOR CONTROLLER	1
60	033066	SENSOR MAGNET	1
61	031238	CHOKE	1
62	014157	STAR WASHER	1
63	021048	FLYWHEEL	1
64	031226	FAN	1
65	040132	SIDE RAIL ENDCAP	1
66	013575	LONG HANDRAIL BOLT	1
67	014094	FORMED WASHER	1
68	014086	FLAT WASHER	1
69	013391	MOTOR BOLT	4
70	019259	MOTOR MOUNT SPACER	1
71	033007	PULSE MONITOR CLIP	1
72	013322	CONSOLE SCREW	6
73	070855	AUTO SPEED CONSOLE	1
74	088015	INCLINE BUBBLE	1
75	013522	SHORT HANDRAIL BOLT	1
76	088005	INCLINE CABLE	1
77	017094	AUTO CONTROL KNOB	8
78	031196	SPEED POTENTIOMETER WIRE	1
79	017096	MANUAL CONTROL KNOB	1
80	041068	SIDE RAIL FOAM GRIP	1
81	014156	LOCK KNOB WASHER	1
.	.	NON-ILLUSTRATED PARTS:	0
A	044555	FRAME/MOTOR HOOD DECAL	2
B	089036	MONITOR OPERATION GUIDE	1
D	101070	OWNERS MANUAL	1
D	044555	HOOD DECAL	1
.	101069	LITERATURE PACKET	1
.	.	101070 OWNERS MANUAL	1
.	.	089036 MON. OPER. GUIDE	1
.	.	033007 PULSE EARCLIP	1
.	.	054013 CLOTHES CLIP	1
.	.	031201 SAFETY CARD	1
.	.	017088 LOCK KNOB	1
.	.	014156 LOCK KNOB WASHER	1
.	.	075046 HARDWARE KIT	1
.	.	016028 TOOL CLAMP	1
.	.	045010 ALLEN WRENCH	1
.	.	013575 2" BOLT	1
.	.	013522 1" BOLT	1

MODEL NUMBER: PF35090

MODEL/PART BOOK LISTING

PAGE 3

VERSION: 00

INI023P1

PRODUCT NAME: PROFORM EQUALIZER 6.0S

RUN DATE: 2/02/94

PRODUCT DESC:

RUN TIME: 14:22:49

KEY NUMBER	PART NUMBER	DESCRIPTION	QUANTITY
.		014094 FORMED WASHER	1
.		014086 FLAT WASHER	1