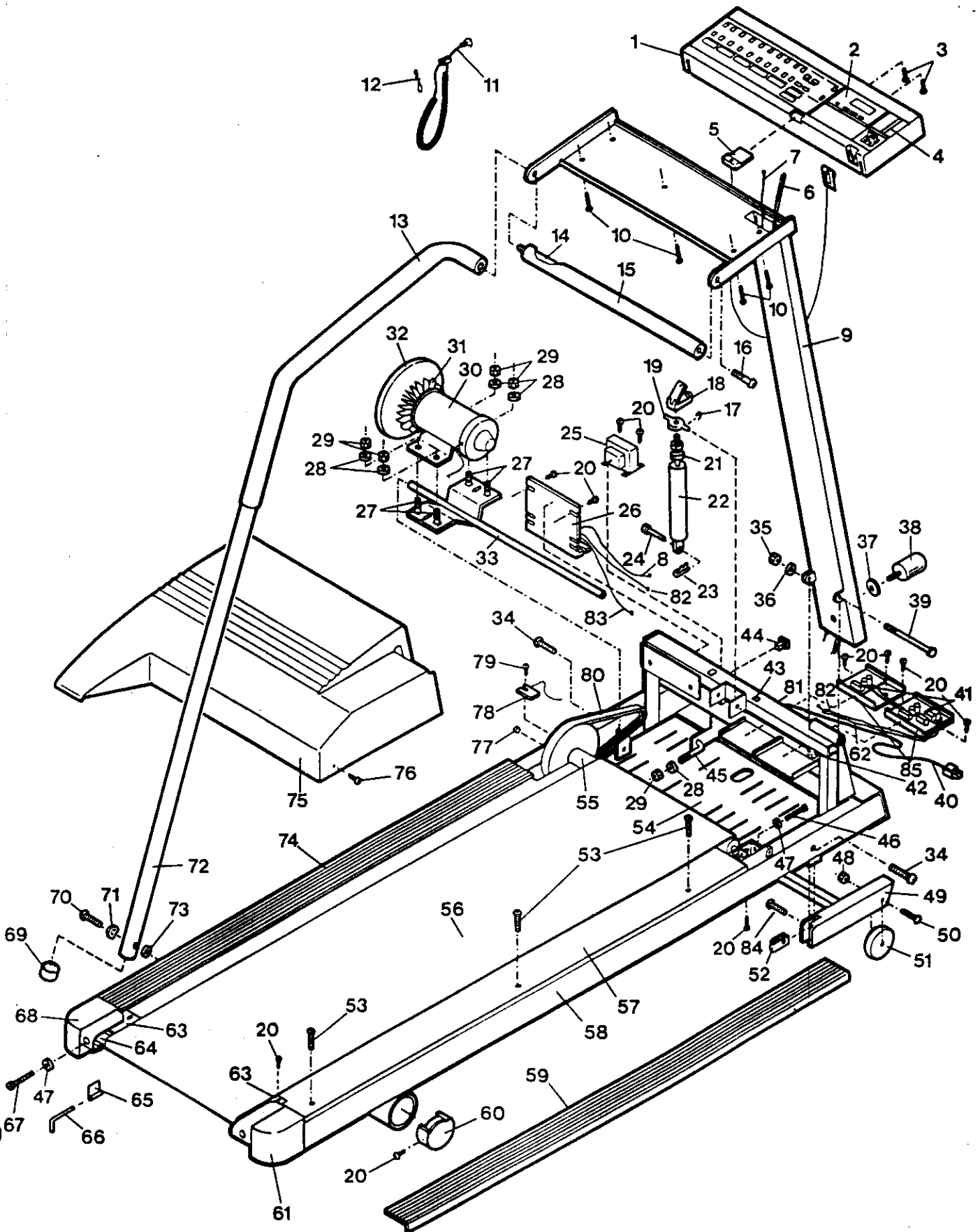


EXPLODED DRAWING - Model No. PF351100

Rev. 9/90

Specifications are subject to change without notice.



MODEL NUMBER: PF35110
VERSION: 00
PRODUCT NAME: PF35110
PRODUCT DESC:

MODEL/PART BOOK LISTING

PAGE 1
INI023P1
RUN DATE: 2/07/97
RUN TIME: 19:47:20

KEY NUMBER	PART NUMBER	DESCRIPTION	QUANTITY
1	108171	CONSOLE	1
2	100696	ELECTRONIC MONITOR	1
3	013509	MONITOR SCREW	2
4	088015	INCLINE INDICATOR	1
5	106593	SAFETY KEY/CLIP	1
6	102250	WIRE HARNESS	1
7	088005	INCLINE CABLE	1
8	102249	JUMP WIRE/MOTOR CONTROL	1
9	102103	UPRIGHT POST	1
10	013322	CONSOLE SCREW	5
11	119946	PULSE/CLOTHES CLIP ASSY.	1
12	054013	CLOTHES CLIP	1
13	102116	SIDE RAIL FOAM GRIP	1
14	101941	HANDRAIL W/FOAM GRIP	1
	.	102108 HANDRAIL	1
	.	102107 FOAM GRIP	1
15	103072	HANDRAIL FOAM GRIP	1
16	013496	HANDRAIL BOLT	1
17	054016	E-CLIP	1
18	088004	LIFT CYLINDER RELEASE	1
19	008149	CYLINDER MOUNT BRACKET	1
20	013162	SMALL SCREW	23
21	059019	LIFT CUSHION	1
22	043036	LIFT CYLINDER	1
23	015043	COTTER PIN	1
24	015045	CYLINDER PIN	1
25	031238	CHOKE	1
26	129854	CONTROLLER W/RI	1
27	013445	MOTOR MOUNT BOLT	4
28	101630	MOTOR MOUNT WASHER	5
29	012082	MOTOR MOUNT NUT	5
30	107327	MOTOR ASSEMBLY	1
	.	116197 MOTOR	1
	.	100147 FLYWHL/PULLEY/FAN	1
	.	102087 SWIVEL BRACKET	1
	.	116878 HARDWARE KIT	1
31	031226	FAN	1
32	102185	FLYWHEEL/PULLEY ASSY.	1
33	100582	MOTOR MOUNT BRACKET	1
34	100541	SHAFT BOLT	2
35	012037	PIVOT NUT	1
36	014101	PIVOT WASHER	2
37	014156	UPRIGHT KNOB WASHER	1
38	017103	UPRIGHT KNOB	1
39	013543	PIVOT BOLT	1
40	031229	POWER CORD	1
41	103209	LINK/STABILIZER BOARD	1
42	008148	HOOD MOUNT ANCHOR	2
43	016055	WIRE CLIP	4
44	031036	CIRCUIT BREAKER	1
45	103855	J-BOLT	1
46	013275	FRONT ADJUSTMENT BOLT	1
47	014063	ADJUSTMENT WASHER	3
48	012108	WHEEL NUT	2

MODEL NUMBER: PF35110
 VERSION: 00
 PRODUCT NAME: PF35110
 PRODUCT DESC:

MODEL/PART BOOK LISTING

PAGE 2
 INI023P1

RUN DATE: 2/07/97
 RUN TIME: 19:47:20

KEY NUMBER	PART NUMBER	DESCRIPTION	QUANTITY
49	NLA	INCLINE LEG	1
50	013399	WHEEL MOUNTING BOLT	2
51	052014	WHEEL	2
52	012179	U-NUT	2
53	100691	PLATFORM BOLT	6
54	101418	SAFETY COVER	1
55	102599	FRONT ROLLER/PULLEY ASSY.	1
56	125417	WALKING BELT	1
57	053025	WALKING PLATFORM	1
58	NSP	FRAME	1
59	100741	RIGHT FOOT RAIL	1
60	040156	REAR LEG ENDCAP	2
61	101362	RIGHT ENDCAP	1
62	102248	WHITE AC POWER JUMPER, M/F	1
63	010206	ROLLER GUARD	2
64	070084	REAR ROLLER	1
65	016028	TOOL CLAMP	1
66	045010	ALLEN WRENCH	1
67	013206	REAR ROLLER ADJ. BOLT	2
68	101361	LEFT ENDCAP	1
69	108906	SIDE RAIL ENDCAP	1
70	013575	SIDE RAIL BOLT	1
71	014094	FORMED WASHER	1
72	NLA	SIDE RAIL W/FOAM	1
73	014086	SIDE RAIL WASHER	1
74	100554	LEFT FOOT RAIL	1
75	101943	MOTOR HOOD W/DECAL	1
.	.	101840 MOTOR HOOD	1
.	.	102088 MOTOR HOOD DECAL	1
76	013586	HOOD SCREW	4
77	100498	SENSOR MAGNET	1
78	100335	SENSOR WIRE/REED SWITCH	1
79	013300	REED SWITCH SCREW	1
80	101004	BELT	1
81	019084	GROMMET	1
82	102247	BLACK AC POWER JUMPER, 2F	2
83	102246	WHITE AC POWER JUMPER, 2F	1
84	013303	LIFT FRAME MOUNTING BOLT	2
85	102115	SNAP TRACK MTG. BRACKET	2
.	.	NON-ILLUSTRATED PARTS:	0
A	102089	FRAME DECAL	2
B	102088	HOOD DECAL	1
C	062035	MOUNTING VELCRO	1
D	102603	FAN PUSH NUT	1
E	089036	MONITOR OPERATION GUIDE	1
F	102122	OWNERS MANUAL	1
.	.	LITERATURE PACKET	1
.	.	102122 OWNERS MANUAL	1
.	.	089036 MON. OPER. GUIDE	1
.	.	101508 PULSE EARCLIP	1
.	.	054013 CLOTHES CLIP	1
.	.	017103 LOCK KNOB	1
.	.	014156 LOCK KNOB WASHER	1
.	.	075047 HARDWARE KIT	1

MODEL NUMBER: PF35110
VERSION: 00
PRODUCT NAME: PF35110
PRODUCT DESC:

MODEL/PART BOOK LISTING

PAGE 3
INI023P1

RUN DATE: 2/07/97
RUN TIME: 19:47:20

KEY NUMBER	PART NUMBER	DESCRIPTION	QUANTITY
.		016028 TOOL CLAMP	1
.		045010 ALLEN WRENCH	1
.		013575 2" BOLT	2
.		014094 FORMED WASHER	2
.		014086 FLAT WASHER	2