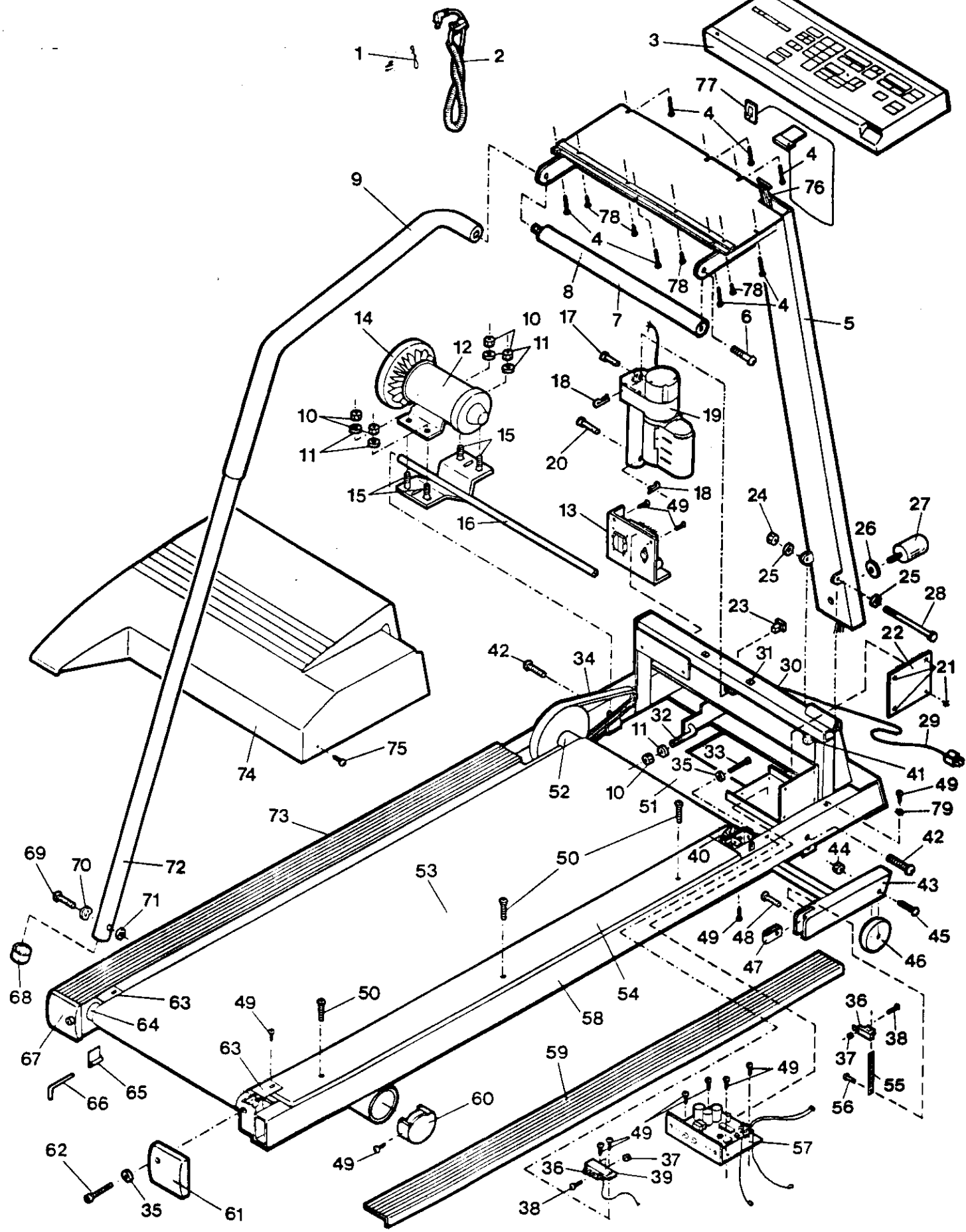


EXPLODED DRAWING - Model No. PF351900

Rev. 3/91



MODEL NUMBER: PF35190
 VERSION: 00
 PRODUCT NAME: PROFORM 2005 EXL
 PRODUCT DESC:

MODEL/PART BOOK LISTING

PAGE 1
 1N1023F1
 RUN DATE: 7/29/96
 RUN TIME: 17:31:01

Pulse Jack nut

012057

KEY NUMBER	PART NUMBER	DESCRIPTION	QUANTITY
1	054013	CLOTHES CLIP	1
2	119946	PULSE MONITOR CLIP	1
3	104453	CONSOLE	1
4	013322	CONSOLE SCREW	7
5	102863	UPRIGHT POST	1
6	013496	HANDRAIL BOLT	1
7	102107	HANDRAIL FOAM GRIP	1
8	101941	HANDRAIL W/FOAM GRIP	1
.	.	102108 HANDRAIL	1
.	.	102107 FOAM GRIP	1
9	NLA	SIDE RAIL FOAM GRIP	1
10	012082	MOTOR MOUNT NUT	5
11	101630	MOTOR MOUNT WASHER	5
12	103997	MOTOR ASSEMBLY	1
13	102870	POWER BOARD	1
14	100147	PULLEY/FLYWHEEL/FAN	1
15	013445	MOTOR MOUNT BOLT	1
16	102087	MOTOR MOUNT BRACKET/SHAFT	1
17	015046	UPPER LIFT MOTOR PIN	1
18	015043	HAIRPIN COTTER PIN	2
19	030016	INCLINE MOTOR	1
20	101639	LOWER LIFT MOTOR PIN	1
21	015071	PLASTIC STAND-OFF	4
22	102871	INTERFACE BOARD	1
23	109382	CIRCUIT BREAKER	1
24	012041	PIVOT NUT	1
25	014101	PIVOT WASHER	2
26	014050	LOCK KNOB WASHER	1
27	017103	LOCK KNOB	1
28	013543	PIVOT BOLT	1
29	031229	POWER CORD	1
30	019084	GROMMET	1
31	016055	WIRE CLIP	3
32	103855	J-BOLT	1
33	013275	FRONT ADJUSTMENT BOLT	1
34	101004	BELT	1
35	014063	ADJUSTMENT WASHER	3
36	102955	PHOTO INTERRUPTER SWITCH	2
37	012152	SMALL NUT	2
38	102959	SMALL BOLT	2
39	102901	BRACKET	1
40	104501	SPEED DISC ASSEMBLY *	1
.	.	103589 SPEED DISC	1
.	.	103617 MOUNTING TAPE	1
.	.	NOTE: IF THE SPEED DISC	0
.	.	IS NOT DAMAGED, JUST SEND	0
.	.	THE MOUNTING TAPE AND THE	0
.	.	ASSEMBLY INSTRUCTIONS BY	0
.	.	ORDERING PART #109903.	0
41	008148	HOOD MOUNT ANCHOR	2
42	101627	PIVOT SHAFT BOLT	2
43	102254	INCLINE LEG	1
44	012108	WHEEL NUT	2
45	013399	WHEEL BOLT	2

MODEL NUMBER: PF35190
 VERSION: 00
 PRODUCT NAME: PROFORM 2005 EXL
 PRODUCT DESC:

MODEL/PART BOOK LISTING

IN1023P1

RUN DATE: 7/29/96

RUN TIME: 17:31:01

KEY NUMBER	PART NUMBER	DESCRIPTION	QUANTITY
46	052014	FRONT WHEEL	2
47	012179	U-NUT	2
48	013303	INCLINE LEG BOLT	2
49	013162	SCREW	23
50	100691	PLATFORM SCREW	6
51	101522	SAFETY COVER	1
52	104500	FRONT ROLLER/PULLEY	1
53	130469	WALKING BELT ASSEMBLY	1
54	103547	WALKING PLATFORM	1
55	102900	INCLINE LADDER	1
56	015072	PUSH PIN	1
57	031173	CONTROLLER	1
58	NSP	FRAME	1
59	100895	RIGHT FOOT RAIL	1
60	040156	REAR LEG ENDCAP	2
61	100731	RIGHT ENDCAP	1
62	013206	REAR ROLLER ADJ. BOLT	2
63	010206	ROLLER GUARD	2
64	022043	REAR ROLLER	1
65	016028	WRENCH CLIP	1
66	045010	ALLEN WRENCH	1
67	100730	LEFT ENDCAP	1
68	040201	SIDE RAIL ENDCAP	1
69	013575	SIDE RAIL BOLT	1
70	014094	FORMED WASHER	1
71	014086	SIDE RAIL WASHER	1
72	NLA	SIDE RAIL W/FOAM GRIP	1
73	100408	LEFT FOOT RAIL	1
74	104418	MOTOR HOOD W/DECAL	1
.	.	101840 MOTOR HOOD	1
.	.	102148 MOTOR HOOD DECAL	1
75	013586	MOTOR HOOD SCREW	4
76	102641	WIRE HARNESS	1
77	104452	SAFETY KEY/CLIP	1
78	013423	SMALL SCREW	4
79	014157	STAR WASHER	1
#	102089	FRAME DECAL	2
#	102148	HOOD DECAL	1
#	103564	OWNERS MANUAL	1
.	103563	LITERATURE PACKET	1
.	.	103564 OWNERS MANUAL	1
.	.	104332 CONSUMER NOTICE	1
.	.	112589 PULSE EARCLIP	1
.	.	054013 CLOTHES CLIP	1
.	.	017103 LOCK KNOB	1
.	.	014050 LOCK KNOB WASHER	1
.	.	075047 HARDWARE KIT	1
.	.	016028 TOOL CLAMP	1
.	.	045010 ALLEN WRENCH	1
.	.	013575 SIDE RAIL BOLT	2
.	.	014094 FORMED WASHER	2
.	.	014086 SIDE RAIL WASHER	2
#	.	*--THESE ARE ESTIMATED	0
#	.	COSTS!!!!	0