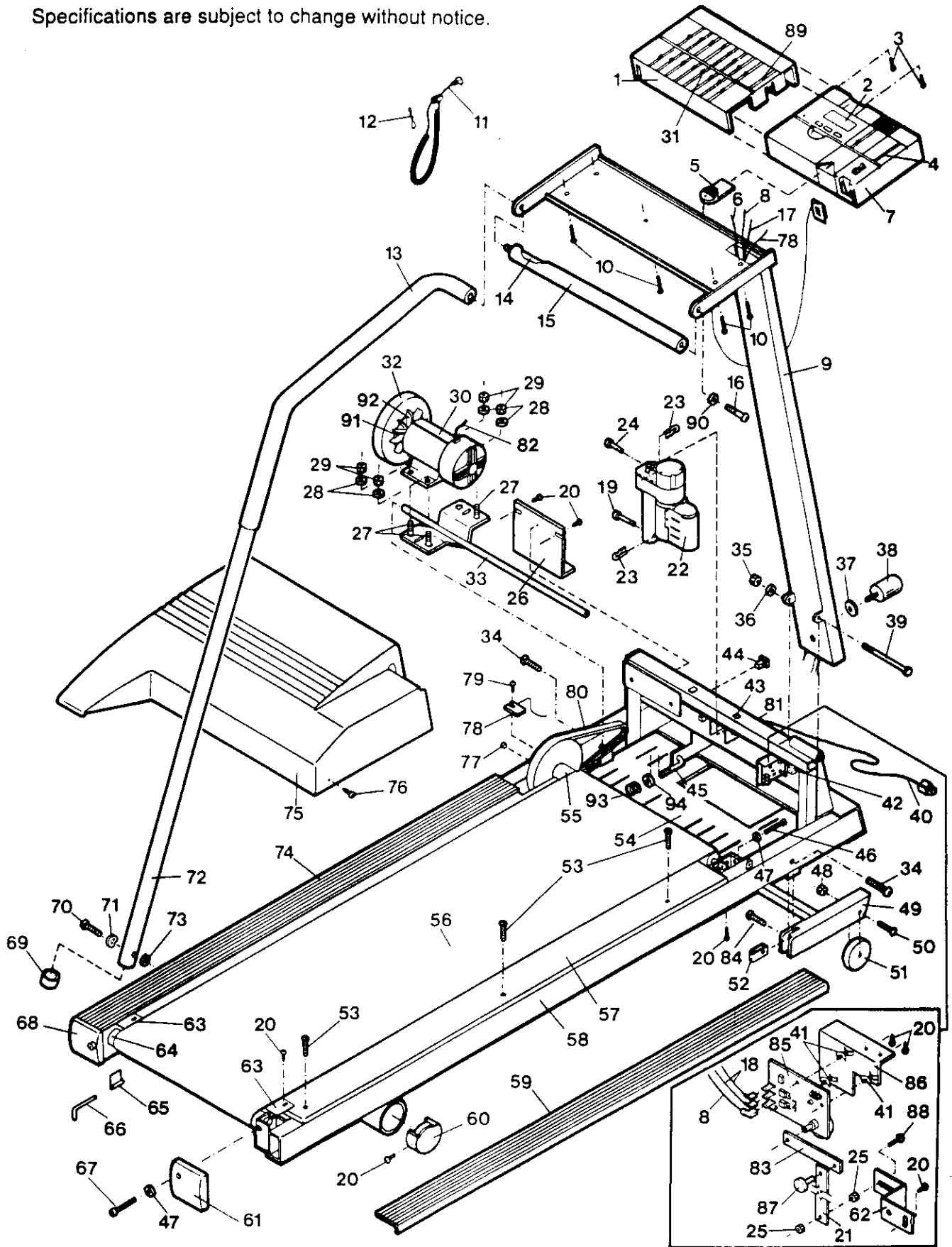


EXPLODED DRAWING - Model No. PF352103

Rev. 6/91

Specifications are subject to change without notice.



MODEL NUMBER: PF35210
VERSION: 03
PRODUCT NAME: PROFORM EQUALIZER 10.0SI
PRODUCT DESC: TREADMILL

MODEL/PART BOOK LISTING

PAGE 1
INI023P1

RUN DATE: 2/22/97
RUN TIME: 19:27:13

KEY NUMBER	PART NUMBER	DESCRIPTION	QUANTITY
1	033195	AUTO SPEED/INCLINE ASSY.	1
2	104455	ELECTRONIC MONITOR	1
3	013509	MONITOR SCREW	2
4	088015	INCLINE INDICATOR	1
5	070843	SAFETY CARD/CLIP	1
6	031196	SPEED POTENTIOMETER WIRE	1
7	NLA	CONSOLE ASSEMBLY	1
8	031249	INCLINE POT. WIRE	1
9	NLA	UPRIGHT POST	1
10	013322	CONSOLE SCREW	6
11	119946	PULSE/CLOTHES CLIP ASSY.	1
12	054013	CLOTHES CLIP	1
13	NLA	SIDE RAIL FOAM GRIP	1
14	105797	HANDRAIL W/FOAM GRIP *	1
	.	001067 HANDRAIL	1
	.	104602 FOAM GRIP	1
15	NLA	HANDRAIL FOAM GRIP	1
16	013496	HANDRAIL BOLT	1
17	031199	ON/OFF SWITCH WIRE	1
18	102248	LIFT WIRE	2
19	101639	LOWER LIFT MOTOR PIN	1
20	013162	SMALL SCREW	20
21	008257	LINKAGE ARM	1
22	030016	LIFT MOTOR	1
23	106334	COTTER PIN	2
24	015046	UPPER LIFT MOTOR PIN	1
25	012152	SMALL NUT	2
26	031173	CONTROLLER	1
27	013445	MOTOR MOUNT BOLT	3
28	101630	MOTOR MOUNT WASHER	4
29	012082	MOTOR MOUNT NUT	4
30	114968	MOTOR ASSEMBLY	1
30A	114968	MTR/PULLEY/FLYWHEEL ASSY.	1
31	104548	SMALL KNOB	17
32	104644	PULLEY/FLYWHEEL	1
33	100582	MOTOR MOUNT BRACKET	1
34	104624	SHAFT BOLT	2
35	012174	PIVOT NUT	1
36	014101	PIVOT WASHER	2
37	014050	LOCK KNOB WASHER	1
38	017103	LOCK KNOB	1
39	013543	PIVOT BOLT	1
40	031229	POWER CORD	1
41	125819	CLIP PIN	3
42	008148	HOOD MOUNT ANCHOR	2
43	016055	WIRE CLIP	4
44	109382	CIRCUIT BREAKER	1
45	103855	J-BOLT	1
46	013275	FRONT ADJUSTMENT BOLT	1
47	014063	ADJUSTMENT WASHER	3
48	012108	WHEEL NUT	2
49	102254	INCLINE LEG	1
50	013399	WHEEL MOUNTING BOLT	2
51	052014	WHEEL	2

MODEL NUMBER: PF35210
 VERSION: 03
 PRODUCT NAME: PROFORM EQUALIZER 10.0SI
 PRODUCT DESC: TREADMILL

MODEL/PART BOOK LISTING

RUN DATE: 2/22/97
 RUN TIME: 19:27:13

KEY NUMBER	PART NUMBER	DESCRIPTION	QUANTITY
52	012179	U-NUT	2
53	100691	PLATFORM BOLT	6
54	NLA	SAFETY COVER	1
55	022059	FRONT ROLLER/PULLEY ASSY.	1
56	130469	WALKING BELT ASSEMBLY	1
57	124571	WALKING PLATFORM	1
.	.	NOTE: THIS ASSEMBLY HAS	0
.	.	BEEN CHANGED FROM THE	0
.	.	ORIGINAL WAXED BOARD	0
58	NSP	FRAME	1
59	107408	RIGHT FOOT RAIL	1
60	040156	REAR LEG ENDCAP	2
61	100731	RIGHT ENDCAP	1
62	105219	LINKAGE BRACKET	1
63	010206	ROLLER GUARD	2
64	022043	REAR ROLLER	1
65	016028	WRENCH CLIP	1
66	045010	ALLEN WRENCH	1
67	013206	REAR ROLLER ADJ. BOLT	2
68	100730	LEFT ENDCAP	1
69	108906	SIDE RAIL ENDCAP	1
70	106279	SIDE RAIL BOLT	1
71	014094	FORMED WASHER	1
72	NLA	SIDE RAIL W/FOAM GRIP	1
73	014086	SIDE RAIL WASHER	1
74	107407	LEFT FOOT RAIL	1
75	107968	MOTOR HOOD W/DECAL	1
.	.	101840 MOTOR HOOD	1
.	.	044595 MOTOR HOOD DECAL	1
76	013586	MOTOR HOOD SCREW	5
77	100498	MAGNET	1
78	115569	SENSOR WIRE/REED SWITCH	1
79	013300	REED SWITCH SCREW	1
80	106939	BELT	1
81	019084	GROMMET	1
82	031237	MOTOR CONNECT WIRE	1
83	008258	LIFT BOARD ARM	1
84	013303	LIFT FRAME MOUNTING BOLT	2
85	134878	LIFT BOARD	1
86	008297	L-BRACKET	1
87	015072	PLASTIC PIN	1
88	102959	LINKAGE BOLT	1
89	104636	SLIDE KNOB	1
90	014073	HANDRAIL WASHER	1
91	102603	PUSH NUT	1
92	031226	FAN	1
93	104514	TENSION SPRING	1
94	014041	TENSION WASHER	1
.	.	NON-ILLUSTRATED PARTS:	0
#	085003	RUBBER PAD	4
#	031200	CONSOLE ON/OFF SWITCH	1
#	102089	FRAME DECAL	2
#	044595	MOTOR HOOD DECAL	1
#	089036	MONITOR OPERATION GUIDE	1

MODEL NUMBER: PF35210

MODEL/PART BOOK LISTING

PAGE 3

VERSION: 03

INI023P1

PRODUCT NAME: PROFORM EQUALIZER 10.0SI

RUN DATE: 2/22/97

PRODUCT DESC: TREADMILL

RUN TIME: 19:27:13

KEY NUMBER	PART NUMBER	DESCRIPTION	QUANTITY
#	105527	OWNERS MANUAL	1
	105526	LITERATURE PACKET	1
	.	105527 OWNERS MANUAL	1
	.	089036 MON. OPER. GUIDE	1
	.	101508 PULSE EARCLIP	1
	.	054013 CLOTHES CLIP	1
	.	031201 SAFETY CARD	1
	.	017103 LOCK KNOB	1
	.	014050 LOCK KNOB WASHER	1
	.	075047 HARDWARE KIT	1
	.	016028 WRENCH CLIP	1
	.	045010 ALLEN WRENCH	1
	.	106279 SIDERAIL BOLT	1
	.	014094 FORMED WASHER	1
	.	014086 SDRAIL WASHER	1
.	.	*--THIS IS AN ESTIMATED	0
.	.	COST!!!!!!	0

DIRECTORY

PRODUCT NUMBER:
PRODUCT NAME:

PF35210
PROFORM EQUALIZER 10.0SI
PROGRAMMABLE SPEED/INCLINE

DATE:

02/25/92

CONTENTS	REMARKS

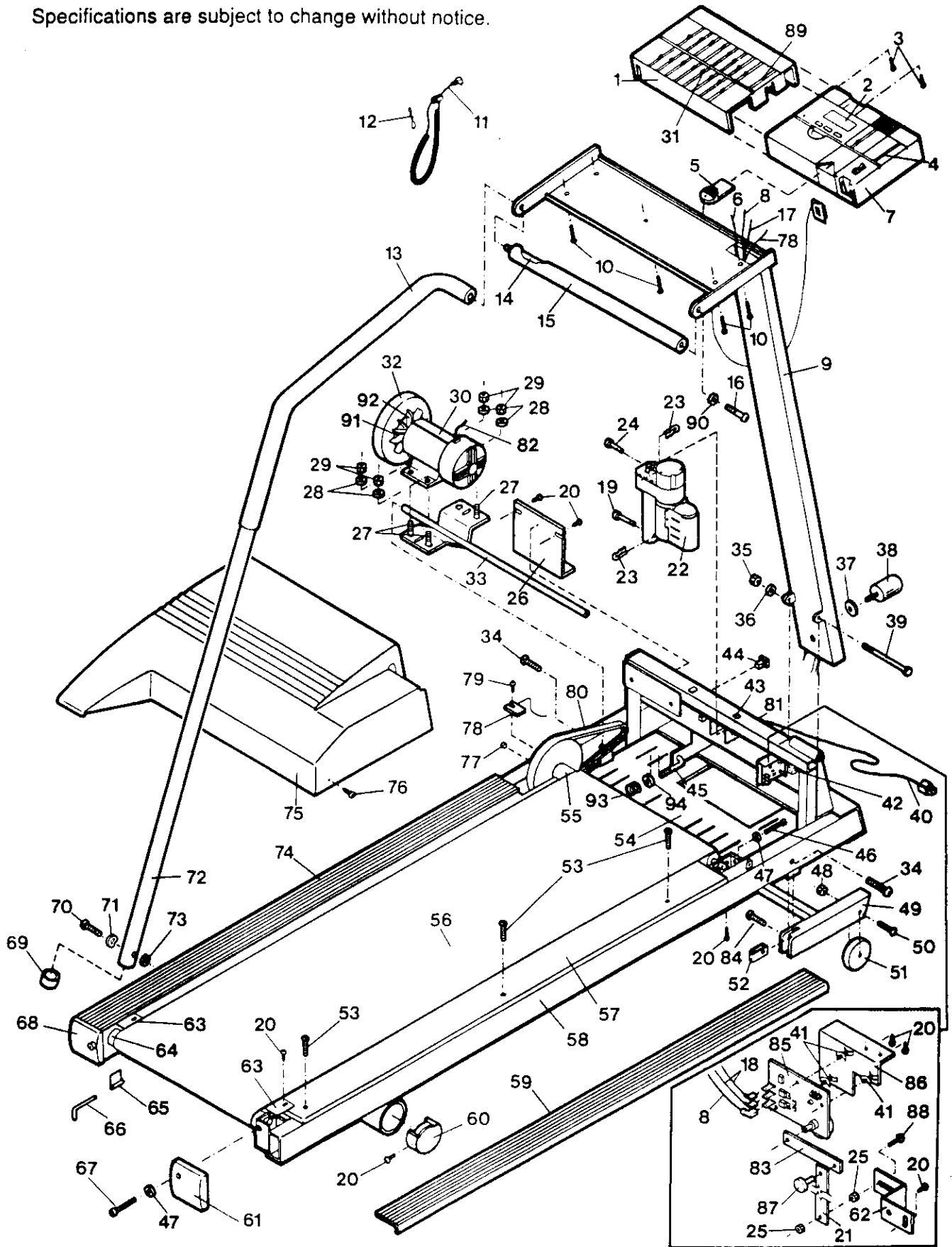
GENERAL HISTORY

EXPLODED DIAGRAM PARTS LIST	*	PF352100 PF352100
EXPLODED DIAGRAM PARTS LIST	*	PF352101 PF352101
EXPLODED DIAGRAM PARTS LIST	*	PF352102 PF352102
EXPLODED DIAGRAM PARTS LIST	*	PF352103 PF352103

EXPLODED DRAWING - Model No. PF352103

Rev. 6/91

Specifications are subject to change without notice.



MODEL NUMBER: PF35210
VERSION: 03
PRODUCT NAME: PROFORM EQUALIZER 10.0SI
PRODUCT DESC: TREADMILL

MODEL/PART BOOK LISTING

PAGE 1
INI023P1

RUN DATE: 2/22/97
RUN TIME: 19:27:13

KEY NUMBER	PART NUMBER	DESCRIPTION	QUANTITY
1	033195	AUTO SPEED/INCLINE ASSY.	1
2	104455	ELECTRONIC MONITOR	1
3	013509	MONITOR SCREW	2
4	088015	INCLINE INDICATOR	1
5	070843	SAFETY CARD/CLIP	1
6	031196	SPEED POTENTIOMETER WIRE	1
7	NLA	CONSOLE ASSEMBLY	1
8	031249	INCLINE POT. WIRE	1
9	NLA	UPRIGHT POST	1
10	013322	CONSOLE SCREW	6
11	119946	PULSE/CLOTHES CLIP ASSY.	1
12	054013	CLOTHES CLIP	1
13	NLA	SIDE RAIL FOAM GRIP	1
14	105797	HANDRAIL W/FOAM GRIP *	1
	.	001067 HANDRAIL	1
	.	104602 FOAM GRIP	1
15	NLA	HANDRAIL FOAM GRIP	1
16	013496	HANDRAIL BOLT	1
17	031199	ON/OFF SWITCH WIRE	1
18	102248	LIFT WIRE	2
19	101639	LOWER LIFT MOTOR PIN	1
20	013162	SMALL SCREW	20
21	008257	LINKAGE ARM	1
22	030016	LIFT MOTOR	1
23	106334	COTTER PIN	2
24	015046	UPPER LIFT MOTOR PIN	1
25	012152	SMALL NUT	2
26	031173	CONTROLLER	1
27	013445	MOTOR MOUNT BOLT	3
28	101630	MOTOR MOUNT WASHER	4
29	012082	MOTOR MOUNT NUT	4
30	114968	MOTOR ASSEMBLY	1
30A	114968	MTR/PULLEY/FLYWHEEL ASSY.	1
31	104548	SMALL KNOB	17
32	104644	PULLEY/FLYWHEEL	1
33	100582	MOTOR MOUNT BRACKET	1
34	104624	SHAFT BOLT	2
35	012174	PIVOT NUT	1
36	014101	PIVOT WASHER	2
37	014050	LOCK KNOB WASHER	1
38	017103	LOCK KNOB	1
39	013543	PIVOT BOLT	1
40	031229	POWER CORD	1
41	125819	CLIP PIN	3
42	008148	HOOD MOUNT ANCHOR	2
43	016055	WIRE CLIP	4
44	109382	CIRCUIT BREAKER	1
45	103855	J-BOLT	1
46	013275	FRONT ADJUSTMENT BOLT	1
47	014063	ADJUSTMENT WASHER	3
48	012108	WHEEL NUT	2
49	102254	INCLINE LEG	1
50	013399	WHEEL MOUNTING BOLT	2
51	052014	WHEEL	2

MODEL NUMBER: PF35210
 VERSION: 03
 PRODUCT NAME: PROFORM EQUALIZER 10.0SI
 PRODUCT DESC: TREADMILL

MODEL/PART BOOK LISTING

RUN DATE: 2/22/97
 RUN TIME: 19:27:13

KEY NUMBER	PART NUMBER	DESCRIPTION	QUANTITY
52	012179	U-NUT	2
53	100691	PLATFORM BOLT	6
54	NLA	SAFETY COVER	1
55	022059	FRONT ROLLER/PULLEY ASSY.	1
56	130469	WALKING BELT ASSEMBLY	1
57	124571	WALKING PLATFORM	1
.	.	NOTE: THIS ASSEMBLY HAS	0
.	.	BEEN CHANGED FROM THE	0
.	.	ORIGINAL WAXED BOARD	0
58	NSP	FRAME	1
59	107408	RIGHT FOOT RAIL	1
60	040156	REAR LEG ENDCAP	2
61	100731	RIGHT ENDCAP	1
62	105219	LINKAGE BRACKET	1
63	010206	ROLLER GUARD	2
64	022043	REAR ROLLER	1
65	016028	WRENCH CLIP	1
66	045010	ALLEN WRENCH	1
67	013206	REAR ROLLER ADJ. BOLT	2
68	100730	LEFT ENDCAP	1
69	108906	SIDE RAIL ENDCAP	1
70	106279	SIDE RAIL BOLT	1
71	014094	FORMED WASHER	1
72	NLA	SIDE RAIL W/FOAM GRIP	1
73	014086	SIDE RAIL WASHER	1
74	107407	LEFT FOOT RAIL	1
75	107968	MOTOR HOOD W/DECAL	1
.	.	101840 MOTOR HOOD	1
.	.	044595 MOTOR HOOD DECAL	1
76	013586	MOTOR HOOD SCREW	5
77	100498	MAGNET	1
78	115569	SENSOR WIRE/REED SWITCH	1
79	013300	REED SWITCH SCREW	1
80	106939	BELT	1
81	019084	GROMMET	1
82	031237	MOTOR CONNECT WIRE	1
83	008258	LIFT BOARD ARM	1
84	013303	LIFT FRAME MOUNTING BOLT	2
85	134878	LIFT BOARD	1
86	008297	L-BRACKET	1
87	015072	PLASTIC PIN	1
88	102959	LINKAGE BOLT	1
89	104636	SLIDE KNOB	1
90	014073	HANDRAIL WASHER	1
91	102603	PUSH NUT	1
92	031226	FAN	1
93	104514	TENSION SPRING	1
94	014041	TENSION WASHER	1
.	.	NON-ILLUSTRATED PARTS:	0
#	085003	RUBBER PAD	4
#	031200	CONSOLE ON/OFF SWITCH	1
#	102089	FRAME DECAL	2
#	044595	MOTOR HOOD DECAL	1
#	089036	MONITOR OPERATION GUIDE	1

MODEL NUMBER: PF35210

MODEL/PART BOOK LISTING

PAGE 3

VERSION: 03

INI023P1

PRODUCT NAME: PROFORM EQUALIZER 10.0SI

RUN DATE: 2/22/97

PRODUCT DESC: TREADMILL

RUN TIME: 19:27:13

KEY NUMBER	PART NUMBER	DESCRIPTION	QUANTITY
#	105527	OWNERS MANUAL	1
	105526	LITERATURE PACKET	1
	.	105527 OWNERS MANUAL	1
	.	089036 MON. OPER. GUIDE	1
	.	101508 PULSE EARCLIP	1
	.	054013 CLOTHES CLIP	1
	.	031201 SAFETY CARD	1
	.	017103 LOCK KNOB	1
	.	014050 LOCK KNOB WASHER	1
	.	075047 HARDWARE KIT	1
	.	016028 WRENCH CLIP	1
	.	045010 ALLEN WRENCH	1
	.	106279 SIDERAIL BOLT	1
	.	014094 FORMED WASHER	1
	.	014086 SDRAIL WASHER	1
.	.	*--THIS IS AN ESTIMATED	0
.	.	COST!!!!!!	0

DIRECTORY

PRODUCT NUMBER:
PRODUCT NAME:

PF35210
PROFORM EQUALIZER 10.0SI
PROGRAMMABLE SPEED/INCLINE

DATE:

02/25/92

CONTENTS	REMARKS

GENERAL HISTORY

EXPLODED DIAGRAM PARTS LIST	*	PF352100 PF352100
EXPLODED DIAGRAM PARTS LIST	*	PF352101 PF352101
EXPLODED DIAGRAM PARTS LIST	*	PF352102 PF352102
EXPLODED DIAGRAM PARTS LIST	*	PF352103 PF352103

HISTORY

PRODUCT NUMBER: PF35210

PRODUCT NAME: PROFURN EQUALIZER 10.061
PROGRAMMABLE SPEED/INCLINE

DESCRIPTION: The PF35210 is a 10 MPH DC treadmill, with a siderail and a handrail. It features programmable speed and programmable power incline. It is similar to the PF110.051.

COLORS:

COCONUT: Frame, siderail, upright, motor hood, incline leg.

PEWTER: Belt adjustment brackets, foam grips, consoles, grip pads.

BLACK: Endcaps, wheels.

SHIPPING SPEC: Not available at this time.

ELECTRONICS:

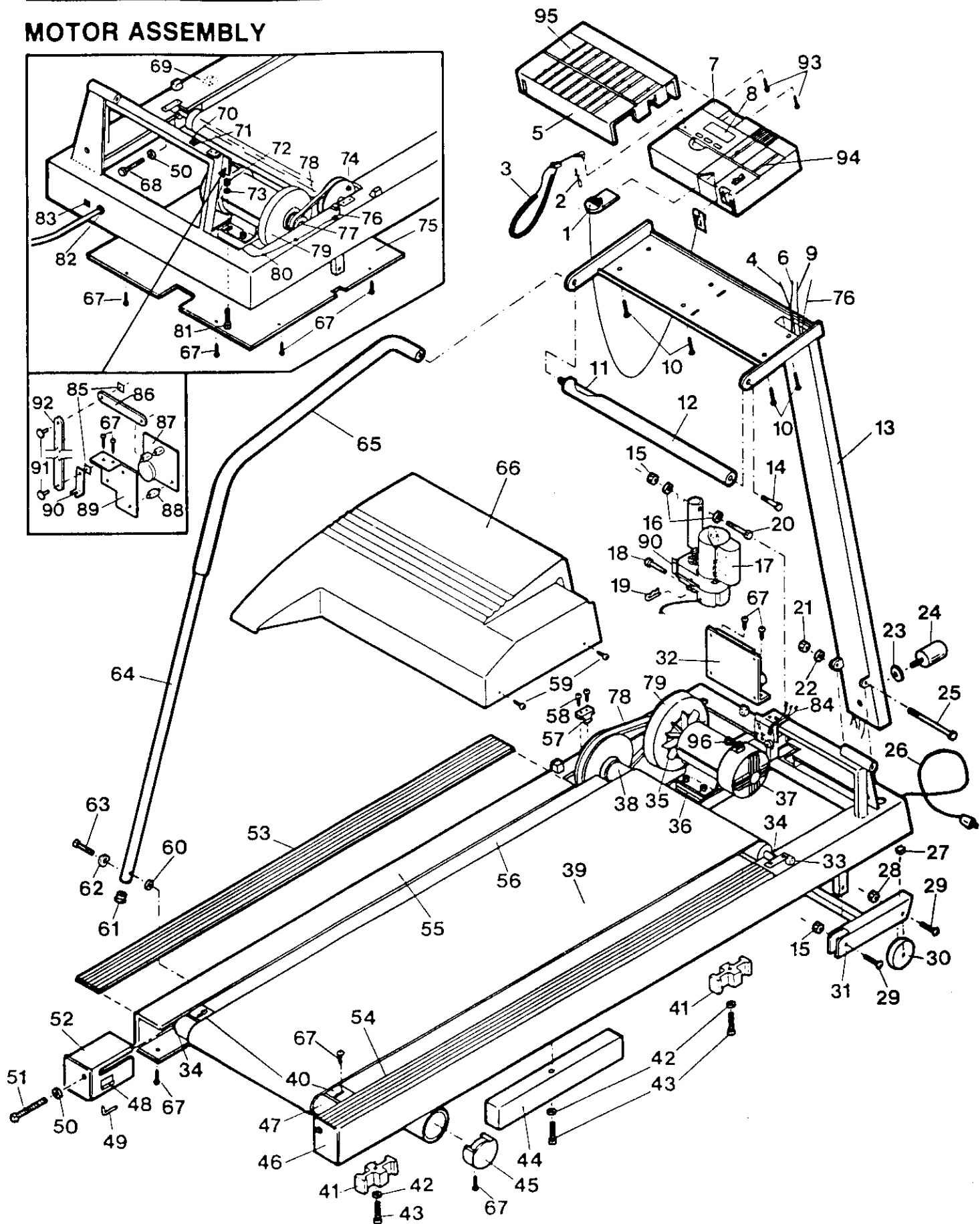
032083 - ECT/EAF 61
089036 - Electronic Operation Guide

<u>MFG LOCATION</u>	<u>APPROX DATE BEGAN</u>	<u>APPROX DATE END</u>	<u>VERSION</u>
DOMESTIC	9/90		PF352100
DOMESTIC	1990		PF352101
DOMESTIC	1991		PF352102
DOMESTIC	6/91		PF352103

EXPLODED DRAWING - Model No. PF352100

Rev. 11/90

MOTOR ASSEMBLY



MODEL NUMBER: PF35210

MODEL/PART BOOK LISTING

PAGE 1

VERSION: 00

INI023P1

PRODUCT NAME: PROFORM EQUALIZER 10.0SI

RUN DATE: 2/22/97

PRODUCT DESC: TREADMILL

RUN TIME: 19:27:01

KEY NUMBER	PART NUMBER	DESCRIPTION	QUANTITY
1	070843	SAFETY CARD/CLIP	1
2	054013	CLOTHES CLIP	1
3	119946	PULSE/CLOTHES CLIP ASSY.	1
4	031249	INCLINE POT. WIRE	1
5	033195	AUTO SPEED/INCLINE ASSY.	1
6	031196	SPEED POTENTIOMETER WIRE	1
7	NLA	CONSOLE ASSEMBLY	1
8	032083	ELECTRONIC MONITOR	1
9	031199	ON/OFF SWITCH WIRE	1
10	013322	CONSOLE SCREW	6
11	NLA	HANDRAIL W/FOAM GRIP	1
12	NLA	FOAM GRIP	1
13	NLA	UPRIGHT POST	1
14	013496	HANDRAIL BOLT	1
15	012108	NUT	3
16	014087	INCLINE WASHER	2
17	030016	INCLINE MOTOR	1
18	015046	LOWER MOTOR PIN	1
19	015043	COTTER PIN	1
20	013574	LIFT MOTOR MOUNTING BOLT	1
21	012174	PIVOT NUT	1
22	014101	PIVOT WASHER	2
23	014050	UPRIGHT KNOB WASHER	1
24	017056	UPRIGHT KNOB	1
25	013543	PIVOT BOLT	1
26	031229	POWER CORD	1
27	019183	RUBBER BUMPER	2
28	012149	WHEEL NUT	2
29	013399	LEG BOLT	4
30	052014	WHEEL	2
31	NLA	INCLINE LEG	1
32	031173	CONTROLLER	1
33	008148	HOOD MOUNT ANCHOR	6
34	019190	ROLLER BUSHING	3
35	031226	FAN	1
36	019172	MOTOR SPACER	2
37	114968	MOTOR ASSEMBLY	1
38	022059	FRONT ROLLER/PULLEY ASSY.	1
39	130469	WALKING BELT W/RI	1
40	010206	ROLLER GUARD	2
41	019320	SUPPORT SPACER	4
42	014067	SUPPORT WASHER	6
43	013270	SUPPORT BOLT	6
44	NLA	WOOD SUPPORT	2
45	040156	REAR LEG ENDCAP	2
46	008260	RIGHT ADJUSTMENT BRACKET	1
47	022043	REAR ROLLER	1
48	016028	WRENCH CLIP	1
49	045010	ALLEN WRENCH	1
50	014063	ADJUSTMENT WASHER	3
51	013206	REAR ADJUSTMENT BOLT	2
52	NLA	LEFT ADJUSTMENT BRACKET	1
53	NLA	LEFT GRIP PAD	1
54	010192	RIGHT GRIP PAD	1

MODEL NUMBER: PF35210

MODEL/PART BOOK LISTING

PAGE 2

VERSION: 00

INI023P1

PRODUCT NAME: PROFORM EQUALIZER 10.0SI

RUN DATE: 2/22/97

PRODUCT DESC: TREADMILL

RUN TIME: 19:27:01

KEY NUMBER	PART NUMBER	DESCRIPTION	QUANTITY
55	NSP	FRAME	1
56	123877	WALKING PLATFORM W/RI	1
.	.	NOTE: THIS ASSEMBLY HAS	0
.	.	BEEN CHANGED FROM THE	0
.	.	ORIGINAL WAXED BOARD	0
57	070192	ROLLER LOCK	1
58	013213	ROLLER LOCK SCREW	2
59	013586	HOOD SCREW	6
60	014086	SIDE RAIL WASHER	1
61	NLA	SIDE RAIL ENDCAP	1
62	014094	FORMED WASHER	1
63	013575	SIDE RAIL BOLT	1
64	NLA	SIDE RAIL W/FOAM GRIP	1
65	NLA	SIDE RAIL FOAM GRIP	1
66	101944	MOTOR HOOD W/DECAL	1
.	.	009145 MOTOR HOOD	1
.	.	044595 MOTOR HOOD DECAL	1
67	013162	SMALL SCREW	19
68	013275	FRONT ADJUSTMENT BOLT	1
69	129740	PLATFORM BUMPER	1
70	.	SEE #71	0
71	102585	CABLE MOUNT W/TIE	2
72	012082	LOCK NUT	4
73	014041	MOTOR MOUNT WASHER	4
74	100498	SENSOR MAGNET	1
75	NLA	SAFETY COVER	1
76	115569	SENSOR WIRE	1
77	020060	MOTOR PULLEY	1
78	025063	V-BELT	1
79	021044	FLYWHEEL	1
80	016055	SENSOR WIRE CLIP	4
81	013391	MOTOR MOUNT BOLT	4
82	019084	GROMMET	1
83	109382	CIRCUIT BREAKER	1
84	NLA	LIFT WIRE	3
85	012137	PUSH NUT	2
86	008257	LIFT BOARD ARM	1
87	134878	LIFT BOARD	1
88	125819	CLIP PIN	3
89	NLA	L-BRACKET	1
90	008286	LINKAGE BRACKET	1
91	015072	PLASTIC PIN	2
92	008258	LINKAGE ARM	1
93	013509	MONITOR SCREW	2
94	088015	INCLINE BUBBLE	1
95	017094	SMALL KNOB	17
96	031237	MOTOR CONNECT WIRE	1
.	.	NON-ILLUSTRATED PARTS:	0
#	085003	RUBBER PAD	4
#	031200	CONSOLE ON/OFF SWITCH	1
#	008293	CONTROLLER MTG. BRACKET	1
#	044595	FRAME/MOTOR HOOD DECAL	3
#	089036	MONITOR OPERATION GUIDE	1
#	101705	OWNERS MANUAL	1

MODEL NUMBER: PF35210

MODEL/PART BOOK LISTING

PAGE 3

VERSION: 00

INI023P1

PRODUCT NAME: PROFORM EQUALIZER 10.0SI

RUN DATE: 2/22/97

PRODUCT DESC: TREADMILL

RUN TIME: 19:27:01

KEY NUMBER	PART NUMBER	DESCRIPTION	QUANTITY
	101706	LITERATURE PACKET	1
.		101705 OWNERS MANUAL	1
.		089036 MON. OPER. GUIDE	1
.		112589 PULSE EARCLIP	1
.		031201 SAFETY CARD	1
.		017056 LOCK KNOB	1
.		014050 LOCK KNOB WASHER	1
.		075047 HARDWARE KIT	1
.		016028 WRENCH CLIP	1
.		045010 ALLEN WRENCH	1
.		013575 SIDE RAIL BOLT	1
.		014094 FORMED WASHER	1
.		014086 SIDE RAIL WASHER	1