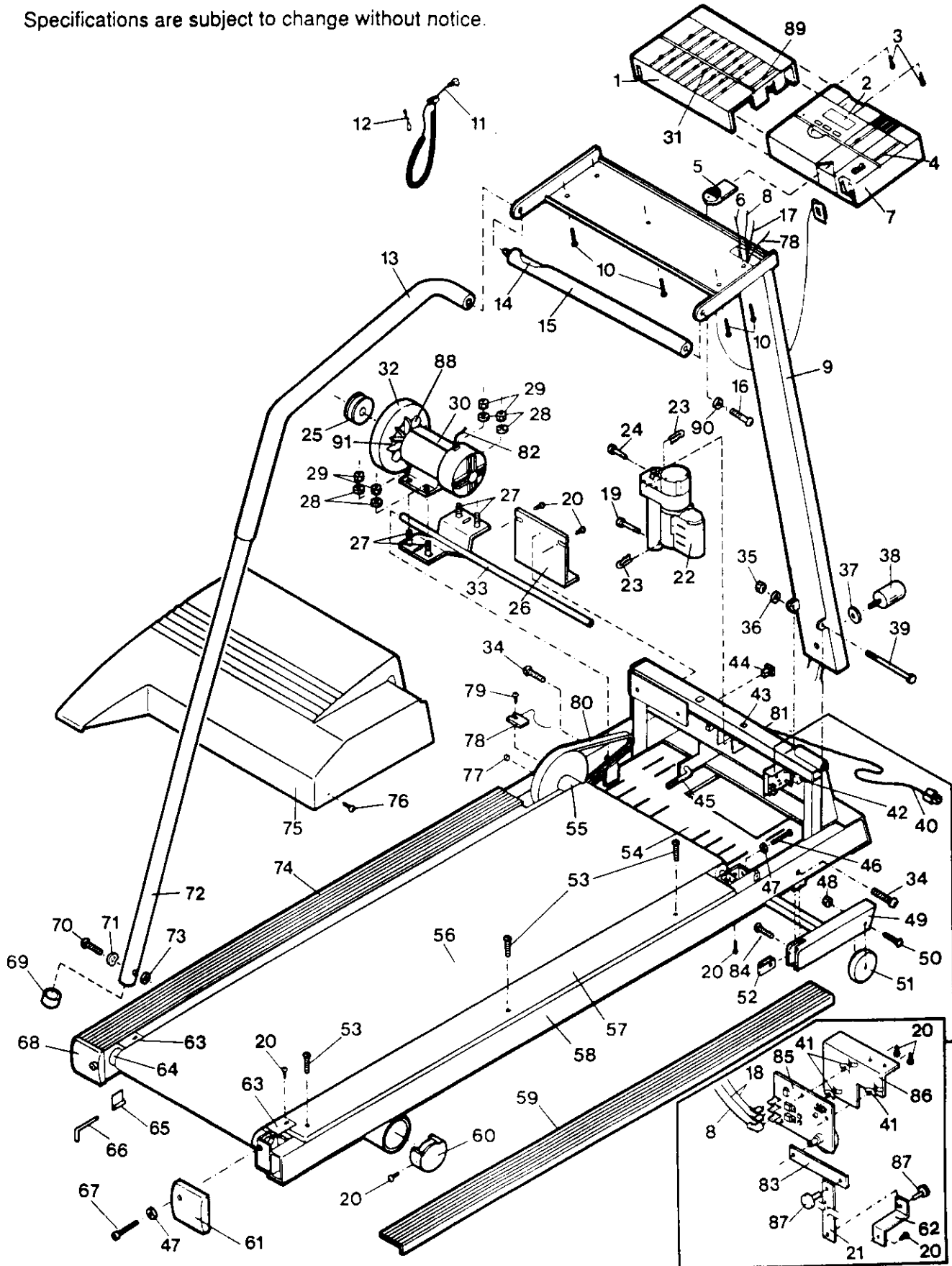


EXPLODED DRAWING - Model No. PF352102

Rev. 5/91

Specifications are subject to change without notice.



MODEL NUMBER: PF35210
VERSION: 02
PRODUCT NAME: PROFORM EQUALIZER 10.0SI
PRODUCT DESC: TREADMILL

MODEL/PART BOOK LISTING

PAGE 1
INI023P1

RUN DATE: 2/22/97
RUN TIME: 19:27:09

KEY NUMBER	PART NUMBER	DESCRIPTION	QUANTITY
1	033195	AUTO SPEED/INCLINE ASSY.	1
2	104455	ELECTRONIC MONITOR	1
3	013509	MONITOR SCREW	2
4	088015	INCLINE INDICATOR	1
5	070843	SAFETY CARD/CLIP	1
6	031196	SPEED POTENTIOMETER WIRE	1
7	NLA	CONSOLE ASSEMBLY	1
8	031249	INCLINE POT. WIRE	1
9	NLA	UPRIGHT POST	1
10	013322	CONSOLE SCREW	6
11	119946	PULSE/CLOTHES CLIP ASSY.	1
12	054013	CLOTHES CLIP	1
13	NLA	SIDE RAIL FOAM GRIP	1
14	NLA	HANDRAIL W/FOAM GRIP	1
15	NLA	HANDRAIL FOAM GRIP	1
16	013496	HANDRAIL BOLT	1
17	031199	ON/OFF SWITCH WIRE	1
18	102248	LIFT WIRE	2
19	101639	LOWER LIFT MOTOR PIN	1
20	013162	SMALL SCREW	20
21	008257	LINKAGE ARM	1
22	030016	LIFT MOTOR	1
23	015043	COTTER PIN	2
24	015046	UPPER LIFT MOTOR PIN	1
25	020060	MOTOR PULLEY	1
26	031173	CONTROLLER	1
27	013445	MOTOR MOUNT BOLT	3
28	101630	MOTOR MOUNT WASHER	4
29	012082	MOTOR MOUNT NUT	4
30	114968	MOTOR ASSEMBLY	1
30A	114968	MTR/PULLEY/FLYWHEEL ASSY.	1
31	017094	SMALL KNOB	17
32	021044	FLYWHEEL	1
33	100582	MOTOR MOUNT BRACKET	1
34	101627	SHAFT BOLT	2
35	012174	PIVOT NUT	1
36	014101	PIVOT WASHER	2
37	014050	LOCK KNOB WASHER	1
38	017103	LOCK KNOB	1
39	013543	PIVOT BOLT	1
40	031229	POWER CORD	1
41	125819	CLIP PIN	3
42	008148	HOOD MOUNT ANCHOR	2
43	016055	WIRE CLIP	4
44	109382	CIRCUIT BREAKER	1
45	103855	J-BOLT	1
46	013275	FRONT ADJUSTMENT BOLT	1
47	014063	ADJUSTMENT WASHER	3
48	012108	WHEEL NUT	2
49	102254	INCLINE LEG	1
50	013399	WHEEL MOUNTING BOLT	2
51	052014	WHEEL	2
52	012179	U-NUT	2
53	100691	PLATFORM BOLT	6

MODEL NUMBER: PF35210
VERSION: 02
PRODUCT NAME: PROFORM EQUALIZER 10.0SI
PRODUCT DESC: TREADMILL

MODEL/PART BOOK LISTING

PAGE 2
INI023P1

RUN DATE: 2/22/97
RUN TIME: 19:27:09

KEY NUMBER	PART NUMBER	DESCRIPTION	QUANTITY
54	NLA	SAFETY COVER	1
55	022059	FRONT ROLLER/PULLEY ASSY.	1
56	130469	WALKING BELT ASSEMBLY	1
57	124571	WALKING PLATFORM	1
.	.	NOTE: THIS ASSEMBLY HAS	0
.	.	BEEN CHANGED FROM THE	0
.	.	ORIGINAL WAXED BOARD	0
58	NSP	FRAME	1
59	107408	RIGHT FOOT RAIL	1
60	040156	REAR LEG ENDCAP	2
61	100731	RIGHT ENDCAP	1
62	NLA	LINKAGE BRACKET	1
63	010206	ROLLER GUARD	2
64	022043	REAR ROLLER	1
65	016028	WRENCH CLIP	1
66	045010	ALLEN WRENCH	1
67	013206	REAR ROLLER ADJ. BOLT	2
68	100730	LEFT ENDCAP	1
69	108906	SIDE RAIL ENDCAP	1
70	106279	SIDE RAIL BOLT	1
71	014094	FORMED WASHER	1
72	NLA	SIDE RAIL W/FOAM GRIP	1
73	014086	SIDE RAIL WASHER	1
74	107407	LEFT FOOT RAIL	1
75	107968	MOTOR HOOD W/DECAL	1
.	.	101840 MOTOR HOOD	1
.	.	044595 MOTOR HOOD DECAL	1
76	013586	MOTOR HOOD SCREW	5
77	100498	MAGNET	1
78	115569	SENSOR WIRE/REED SWITCH	1
79	013300	REED SWITCH SCREW	1
80	025063	BELT	1
81	019084	GROMMET	1
82	031237	MOTOR CONNECT WIRE	2
83	008258	LIFT BOARD ARM	1
84	013303	LIFT FRAME MOUNTING BOLT	2
85	134878	LIFT BOARD	1
86	008297	L-BRACKET	1
87	015072	PLASTIC PIN	2
88	031226	MOTOR FAN	1
89	017096	SLIDE KNOB	1
90	014073	HANDRAIL WASHER	1
91	102603	PUSH NUT	1
.	.	NON-ILLUSTRATED PARTS:	0
#	085003	RUBBER PAD	4
#	031200	CONSOLE ON/OFF SWITCH	1
#	102089	FRAME DECAL	2
#	044595	MOTOR HOOD DECAL	1
#	089036	MONITOR OPERATION GUIDE	1
#	104591	OWNERS MANUAL	1
.	104592	LITERATURE PACKET	1
.	.	104591 OWNERS MANUAL	1
.	.	089036 MON. OPER. GUIDE	1
.	.	101508 PULSE EARCLIP	1

MODEL NUMBER: PF35210

MODEL/PART BOOK LISTING

PAGE 3

VERSION: 02

INI023P1

PRODUCT NAME: PROFORM EQUALIZER 10.0SI

RUN DATE: 2/22/97

PRODUCT DESC: TREADMILL

RUN TIME: 19:27:09

KEY NUMBER	PART NUMBER	DESCRIPTION	QUANTITY
.		054013 CLOTHES CLIP	1
.		031201 SAFETY CARD	1
.		017103 LOCK KNOB	1
.		014050 LOCK KNOB WASHER	1
.		075047 HARDWARE KIT	1
.		016028 WRENCH CLIP	1
.		045010 ALLEN WRENCH	1
.		106279 SIDERAIL BOLT	1
.		014094 FORMED WASHER	1
.		014086 SDRAIL WASHER	1