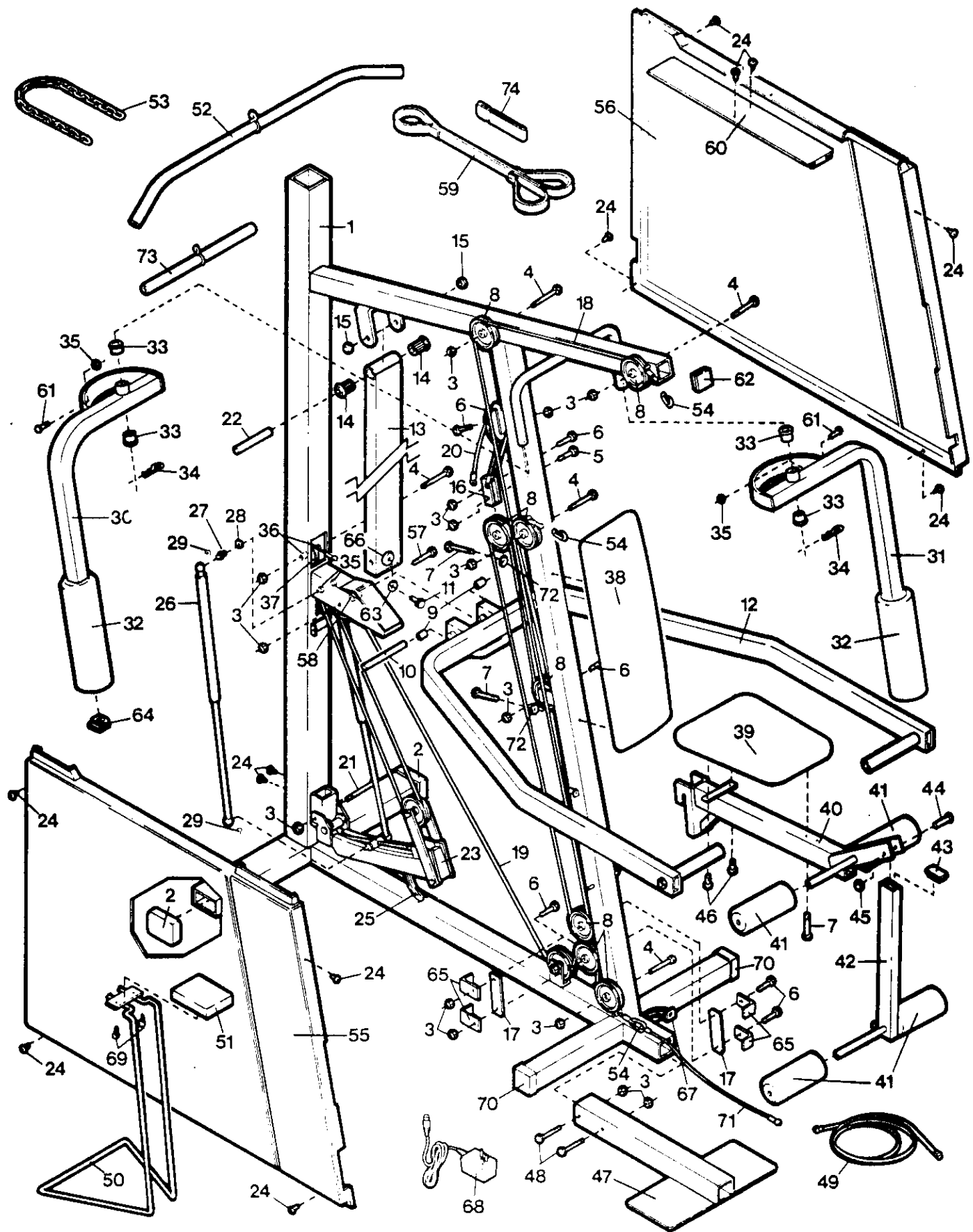


EXPLODED DRAWING- Model No. PF400110

Rev. 11/91

Specifications are subject to change without notice.



MODEL NUMBER: PF40011
 VERSION: 00
 PRODUCT NAME: PROFORM EDGE 4001
 PRODUCT DESC:

MODEL/PART BOOK LISTING

PAGE 1
 INT023P1
 RUN DATE: 2/08/97
 RUN TIME: 8:57:19

KEY NUMBER	PART NUMBER	DESCRIPTION	QUANTITY
1	NSP	FRAME	1
2	105317	REAR STABILIZER ENDCAP	2
3	012108	LOCKNUT	17
4	104049	3/8" X 3.50" BOLT	5
5	013564	3/8" X 1.75" BOLT	3
6	013580	3/8" X 2.00" BOLT	5
7	013341	1/4" X 2.50" BOLT	3
8	115370	CABLE PULLEY	12
9	107827	PRESS ARM BUSHING	2
10	105356	PRESS ARM AXLE	1
11	013186	PRESS ARM AXLE BOLT	1
12	107814	PRESS ARM	1
13	107377	MOMENT ARM ASSEMBLY	1
.	.	106653 MOMENT ARM	1
.	.	100048 MOMENT ARM BUSHING	2
.	.	106348 MOMENT ARM DECAL	1
.	.	103735 AXLECAP	2
14	100048	MOMENT ARM BUSHING	2
15	103735	MOMENT ARM AXLECAP	2
16	105300	PULLEY U-BRACKET	1
17	107640	PULLEY PLATE (I-BRACKET)	2
18	106641	UPPER CABLE	1
19	106640	LOWER CABLE	1
20	105295	BUTTERFLY CABLE	2
21	013519	3/8" X 3.00" BOLT	1
22	107807	MOMENT ARM AXLE W/AXLECAP	1
.	.	106658 MOMENT ARM AXLE	1
.	.	103735 AXLECAP	2
23	108135	WEIGHT MECHANISM	1
.	.	(NOTE: A PART LIST AND	0
.	.	DRAWING OF THE MECHANISM	0
.	.	ARE LOCATED AT THE END OF	0
.	.	THIS PRODUCT SECTION.)	0
24	105316	SCREW	12
25	108139	WIRE HARNESS	1
26	107367	GAS SHOCK ASSEMBLY	2
.	.	105136 GAS SHOCK	1
.	.	107050 OIL ABSORBENT PAD	1
.	.	016029 PLASTIC TIE CLAMP	1
.	.	108184 CONSUMER NOTICE	1
27	105142	BALL JOINT	2
28	014041	WASHER	2
29	105234	GAS SHOCK CLIP	4
30	105332	RIGHT BUTTERFLY ARM	1
31	105340	LEFT BUTTERFLY ARM	1
32	105342	BUTTERFLY FOAM PAD	2
33	105497	BUTTERFLY BUSHING	4
34	015044	HAIRPIN COTTER PIN	2
35	012082	SMALL NUT	4
36	106668	SMALL PULLEY SPACER	2
37	106480	SMALL PULLEY	1
38	105318	BACKREST	1
39	105376	SEAT	1
40	107378	SEAT SUPPORT ASSEMBLY	1

MODEL NUMBER: PF40011
 VERSION: 00
 PRODUCT NAME: PROFORM EDGE 4001
 PRODUCT DESC:

MODEL/PART BOOK LISTING

PAGE 2
 INI023P1
 RUN DATE: 2/08/97
 RUN TIME: 8:57:19

KEY NUMBER	PART NUMBER	DESCRIPTION	QUANTITY
.	.	105360 SEAT SUPPORT	1
.	.	100150 AXLECAP	1
.	.	108726 PAD MOUNTING TUBE	1
41	103805	LEG LEVER FOAM PAD	4
42	107379	LEG LEVER ASSEMBLY	1
.	.	105369 LEG LEVER	1
.	.	100150 AXLECAP	1
.	.	104794 ENDCAP	1
43	104794	LEG LEVER ENDCAP	1
44	107653	LEG LEVER PIN W/AXLECAP	1
.	.	105381 LEG LEVER PIN	1
.	.	100150 LEG LEVER AXLECAP	1
45	100150	LEG LEVER AXLECAP	1
46	013456	SEAT BOLT	2
47	105325	BASE EXTENSION	1
48	105329	EXTENSION BOLT	2
49	106786	HAND CONTROL CORD	1
50	108982	HAND CONTROL STAND ASSY.	1
.	.	107563 HAND CONTROL STAND	1
.	.	108673 SLEEVE	1
.	.	108980 CONSUMER NOTICE	1
51	105922	HAND CONTROL	1
52	105311	LAT BAR	1
53	105315	CHAIN	1
54	103087	CONNECTOR LINK	3
55	107382	RIGHT SIDE SHIELD W/DECAL	1
.	.	106331 RIGHT SIDE SHIELD	1
.	.	106347 SIDE SHIELD DECAL	1
56	107383	LEFT SIDE SHIELD W/DECAL	1
.	.	106332 LEFT SIDE SHIELD	1
.	.	106347 SIDE SHIELD DECAL	1
57	013574	3/8" X 2.25" BOLT	1
58	105309	PVC SPACER	1
59	106643	ABDOMINAL STRAP	1
60	106642	TOP COVER	1
61	013303	5/16" X 1.00" BOLT	2
62	105172	FRAME ENDCAP	1
63	014062	LOCK WASHER	1
64	103050	BUTTERFLY ENDCAP	2
65	115257	L-BRACKET	4
66	014164	PRESS ARM WASHER (NO LONGER USED)	1 0
67	106982	CONTROL CORD SOCKET	1
68	101067	POWER CORD	1
69	103860	CONTROL STAND SCREW	2
70	105723	FRONT STABILIZER ENDCAP	2
71	107479	CABLE EXTENSION	1
72	014063	BACKREST WASHER	2
73	107281	ROWER BAR	1
74	107048	ANKLE STRAP	1
.	.	NON-ILLUSTRATED PARTS:	0
A	110644	MECH ADJUSTMENT BOLT ASSY	1
.	.	107850 ADJUSTMENT BOLT	1
.	.	105133 NYLOCK NUT	1

MODEL NUMBER: PP40011

MODEL/PART BOOK LISTING

PAGE 3

VERSION: 00
PRODUCT NAME: PROFORM EDGE 4001
PRODUCT DESC:

INI023P1
RUN DATE: 2/08/97
RUN TIME: 8:57:19

KEY NUMBER	PART NUMBER	DESCRIPTION	QUANTITY
		108134 CONSUMER NOTICE	1
B	111127	SWIVEL HOOK W/CN	1
	.	111128 SWIVEL HOOK	1
	.	111129 CN-INSTALL INST.	1
	.	MOMENT ARM DECAL	2
C	106348	L/R SIDE SHIELD DECAL	1
D	106347	"DO NOT TURN BOLT" DECAL	1
E	107622	GREASE	1
F	104838	EXERCISE MANUAL	1
G	107575	OWNER'S MANUAL	1
H	106661	LITERATURE PACKET	1
	106660	106661 OWNER'S MANUAL	1
	.	107575 EXERCISE MANUAL	1
	.	HARDWARE KIT	1
	107817	106643 ABDOMINAL STRAP	1
	.	107048 ANKLE STRAP	1
	.	105315 CHAIN	3
	.	103087 CONNECTOR LINK	1
	.	013186 PRESS ARM BOLT	1
	.	014062 PRESS ARM LOCKWSHR	1
	.	105356 PRESS ARM AXLE	1
	.	106786 CONTROL CORD	2
	.	105329 EXTENSION BOLT	1
	.	107479 CABLE EXTENSION	1
	.	104838 GREASE	2
	.	012108 LOCKNUT	2
	.	105317 ENDCAP, 2" X 3"	2
	.	105723 ENDCAP, 2" X 2"	0
	.	NOTE: HARDWARE KIT IS	0
	.	SEPARATE FROM LIT PACKET	0