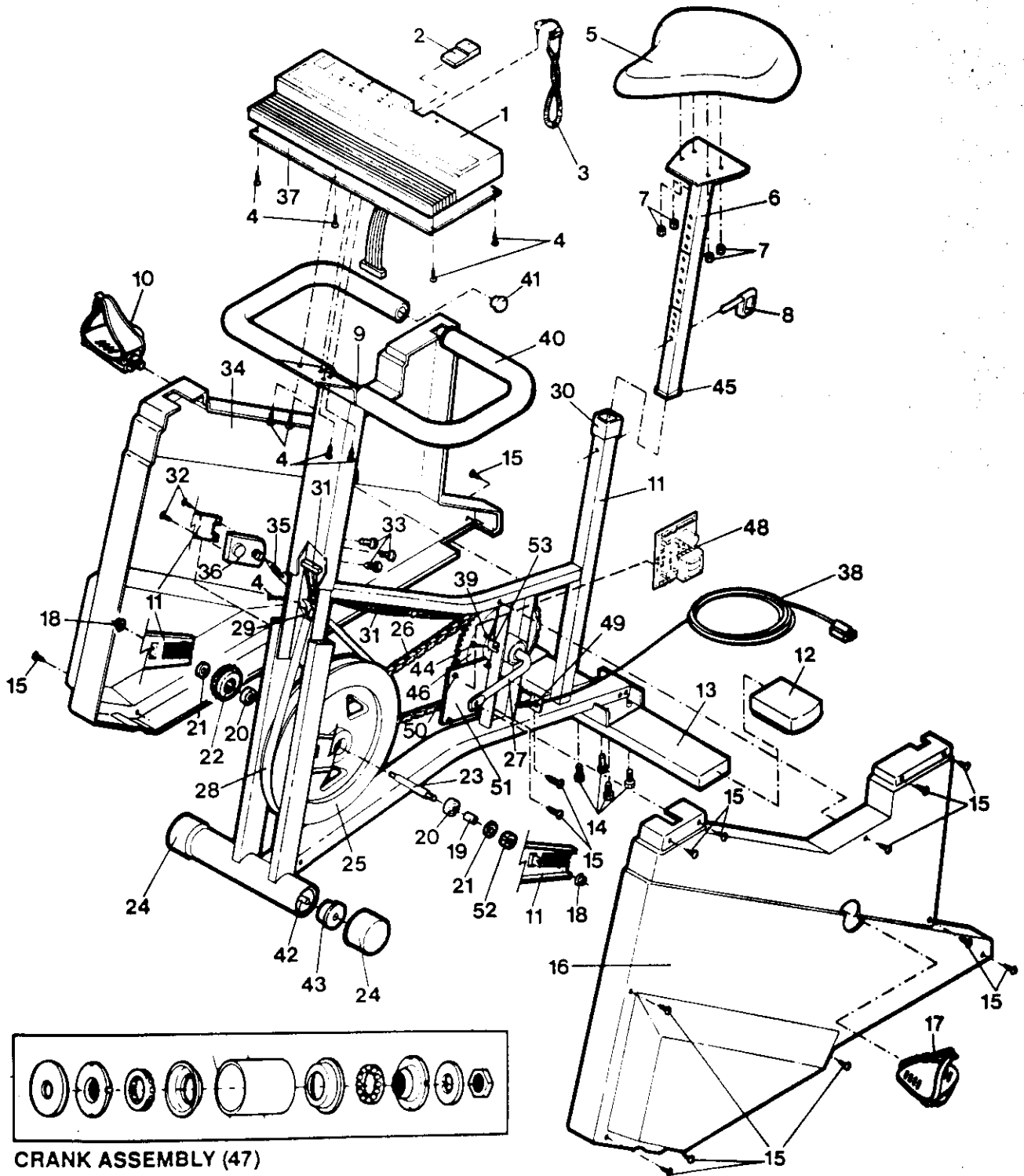


EXPLODED DRAWING- Model No. PF410010

Rev. 11/91



CRANK ASSEMBLY (47)

Specifications are subject to change without notice.

MODEL NUMBER: PF41001

MODEL/PART BOOK LISTING

PAGE 1

VERSION: 00

INI023P1

PRODUCT NAME: PROFORM 4100 CSX

RUN DATE: 8/25/92

PRODUCT DESC: MOTIVATIONAL CLUB TRAINER

RUN TIME: 14:05:10

KEY NUMBER	PART NUMBER	DESCRIPTION	QUANTITY
1	107974	BASE CONSOLE	1
2	102055	SAFETY KEY	1
3	101508	PULSE MONITOR CLIP	1
4	013423	SCREW	9
5	105022	SEAT	1
6	104781	SEAT POST	1
7	012096	SEAT NUT	4
8	015073	SEAT PIN	1
9	107965	HANDLEBAR W/FOAM GRIP	1
.	.	104761 HANDLEBAR	1
.	.	104774 FOAM GRIP	1
.	.	104809 ENDCAP	2
10	038022	RIGHT PEDAL	1
11	NSP	FRAME	1
12	105590	STABILIZER ENDCAP	2
13	104815	STABILIZER	1
14	013469	STABILIZER BOLT	4
15	013322	SIDESHIELD SCREW	16
16	108092	LEFT SIDE SHIELD W/DECAL	1
.	.	104603 LEFT SIDE SHIELD	1
.	.	105800 LEFT SHIELD DECAL	1
17	038023	LEFT PEDAL	1
18	104806	FLANGE NUT	2
19	019300	SPACER	1
20	102356	BEARING	2
21	014087	WASHER	2
22	024001	SMALL SPROCKET	1
23	104805	FLYWHEEL AXLE	1
24	106697	ROLLER	2
25	021023	FLYWHEEL	1
26	104803	CHAIN	1
27	104800	CRANK	1
28	101929	RESISTANCE STRAP	1
29	050001	TENSION BUCKLE	1
30	104786	SEAT POST COLLAR	1
31	105864	MAIN WIRE HARNESS ASSY.	1
32	101049	MOTOR MOUNTING SCREW	2
33	013484	HANDLEBAR SCREW	3
34	108093	RIGHT SIDE SHIELD W/DECAL	1
.	.	104604 RIGHT SIDE SHIELD	1
.	.	106302 RIGHT SHIELD DECAL	1
35	102037	TENSION SPRING ASSEMBLY	1
36	106681	MOTOR ASSEMBLY	1
37	105924	CONSOLE PLATE	1
38	031229	POWER CORD	1
39	100498	MAGNET	1
40	104774	FOAM GRIP	2
41	102638	HANDLEBAR ENDCAP	2
42	106698	ROLLER AXLE	1
43	106880	ROLLER BUSHING	2
44	062035	REED SWITCH FASTENER	1
45	104787	SEAT POST GLIDE	1
46	104801	SPROCKET	1
47	110465	CRANK HARDWARE ASSEMBLY ^	1

MODEL NUMBER: PF41001

MODEL/PART BOOK LISTING

PAGE 2

VERSION: 00

INI023P1

PRODUCT NAME: PROFORM 4100 CSX

RUN DATE: 8/25/92

PRODUCT DESC: MOTIVATIONAL CLUB TRAINER

RUN TIME: 14:05:10

KEY NUMBER	PART NUMBER	DESCRIPTION	QUANTITY
.	.	018001 BEARING	2
.	.	019003 BEARING CUP	2
.	.	014008 FLAT WASHER	1
.	.	014009 KEYED WASHER	1
.	.	012010 NUT W/2 SLOTS	1
.	.	012011 NUT W/3 SLOTS	1
.	.	012012 HEX NUT	1
.	.	106881 CONSUMER NOTICE	1
48	105870	POWER BOARD	1
49	019084	GROMMET	1
50	015071	PLASTIC CLIP	4
51	107188	POWER BOARD PLATE	1
52	106732	NUT	1
53	100949	REED SWITCH/SENSOR WIRE	1
.	.	.	0
.	.	NON-ILLUSTRATED PARTS:	0
A	045010	ALLEN WRENCH	1
B	106302	RIGHT SIDE SHIELD DECAL	1
C	105800	LEFT SIDE SHIELD DECAL	1
D	105869	MONITOR OPERATION GUIDE *	1
E	105798	OWNERS MANUAL	1
.	105799	LITERATURE PACKET	1
.	.	105798 OWNERS MANUAL	1
.	.	105869 MON. OPER. GUIDE	1
.	.	106897 HARDWARE KIT	1
.	.	045010 ALLEN WRENCH	1
.	.	013469 STABILIZER BOLT	4
.	.	013484 HANDLEBAR SCREW	3
.	.	013322 SHIELD SCREW	4
.	.	*--THESE ARE ESTIMATED	0
.	.	COSTS!!!!	0