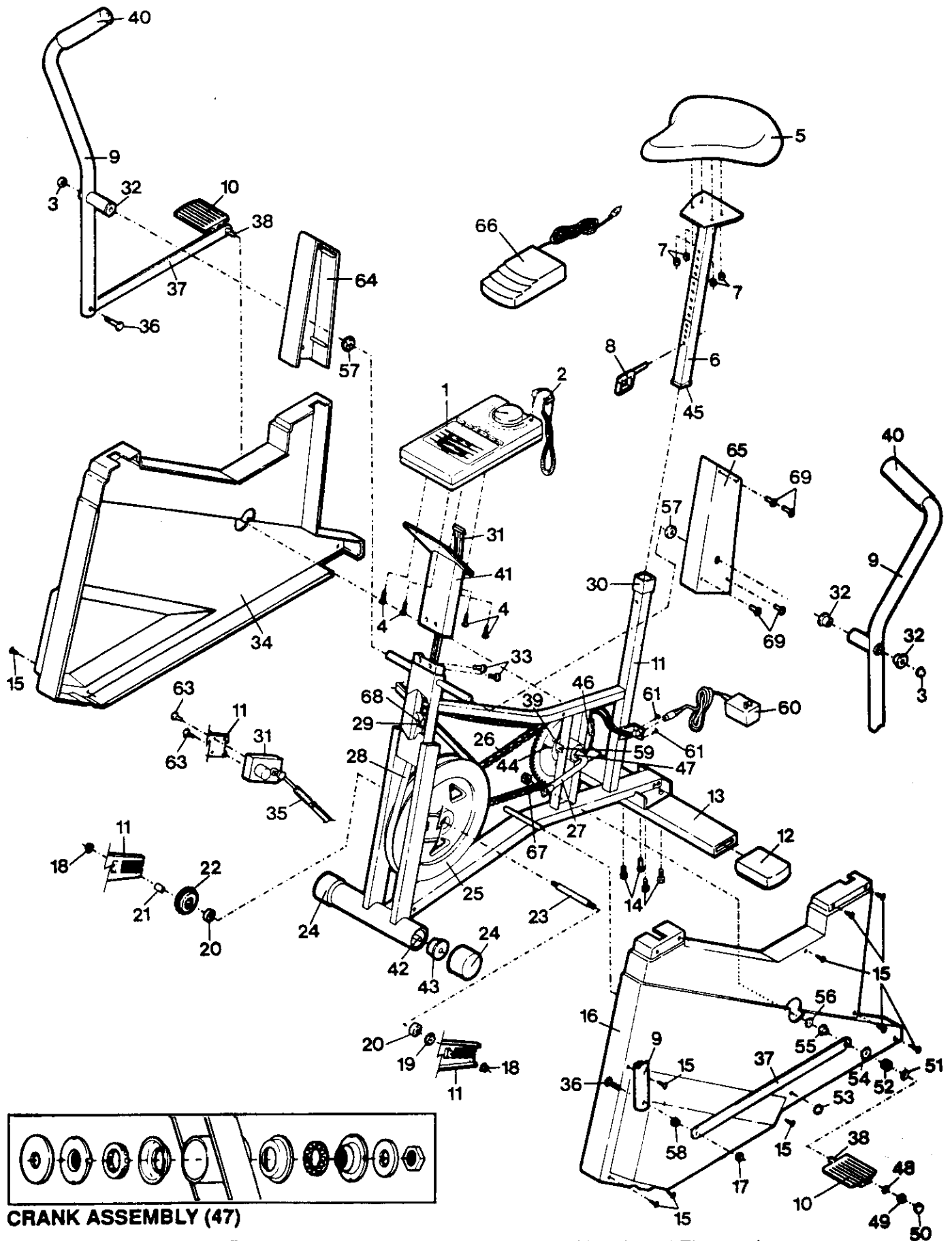


EXPLODED DRAWING—Model No. PF410021

Rev. 12/92



MODEL NUMBER: PF41002
VERSION: 01
PRODUCT NAME: PROFORM CLUB VTP
PRODUCT DESC: EXERCISE BIKE

MODEL/PART BOOK LISTING

PAGE 1
INI023P1
RUN DATE: 1/24/97
RUN TIME: 15:36:00

KEY NUMBER	PART NUMBER	DESCRIPTION	QUANTITY
1	109347	CONSOLE	1
2	119946	PULSE/CLOTHES CLIP ASSY.	1
3	100151	HANDLEBAR AXLECAP, 5/8"	2
4	013088	CONSOLE SCREW	4
5	105243	SEAT	1
6	104781	SEAT POST	1
7	012096	SEAT NUT	4
8	015073	SEAT PIN	1
9	108660	HANDLEBAR	2
10	112701	L/R PEDAL *	2
10A	112778	PEDAL ASSEMBLY	2
11	NSP	FRAME	1
12	105590	STABILIZER ENDCAP	2
13	104815	STABILIZER	1
14	013469	STABILIZER BOLT	4
15	107428	SIDE SHIELD SCREW	7
16	110768	LEFT SIDE SHIELD W/DECAL	1
.	.	108600 LEFT SIDE SHIELD	1
.	.	109341 SIDE SHIELD DECAL	1
17	012056	NUT	2
18	104806	FLANGE NUT	2
19	019300	SPACER	1
20	102356	BEARING	2
21	014004	WASHER	1
22	108572	SMALL SPROCKET	1
23	104805	FLYWHEEL AXLE	1
24	106697	ROLLER	2
25	NLA	FLYWHEEL	1
26	104803	CHAIN	1
27	101115	CRANK	1
28	101929	RESISTANCE STRAP	1
29	050001	TENSION BUCKLE	1
30	104786	SEAT POST SLEEVE	1
31	107875	MTR TENSION W/WIRE HARNES	1
32	108667	HANDLEBAR BUSHING	4
33	013484	MOUNT SCREW	2
34	110769	RIGHT SIDE SHIELD W/DECAL	1
.	.	108599 RIGHT SIDE SHIELD	1
.	.	109341 SIDE SHIELD DECAL	1
35	102037	TENSION SPRING ASSEMBLY	1
36	013250	LINK ARM BOLT	1
37	108669	LINK ARM	2
38	112779	PEDAL SHAFT	2
39	100498	MAGNET	1
40	105500	FOAM GRIP	2
41	108559	CONSOLE MOUNT	1
42	106698	ROLLER AXLE	1
43	106880	ROLLER BUSHING	2
44	013300	REED SWITCH SCREW	1
45	104787	SEAT POST INNER SLEEVE	1
46	104801	SPROCKET	1
47	110465	CRANK HARDWARE ASSEMBLY	1
.	.	018001 BEARING	2
.	.	019003 BEARING CUP	2

MODEL NUMBER: PF41002
 VERSION: 01
 PRODUCT NAME: PROFORM CLUB VTP
 PRODUCT DESC: EXERCISE BIKE

MODEL/PART BOOK LISTING

RUN DATE: 1/24/97

RUN TIME: 15:36:00

KEY NUMBER	PART NUMBER	DESCRIPTION	QUANTITY
.	.	014008 FLAT WASHER	1
.	.	014009 KEYED WASHER	1
.	.	012010 NUT W/2 SLOTS	1
.	.	012011 NUT W/3 SLOTS	1
.	.	012012 HEX NUT	1
.	.	106881 CONSUMER NOTICE	1
48	014041	OUTER PEDAL WASHER	2
49	012146	OUTER PEDAL NUT	2
50	112704	PEDAL CAP *	2
51	101459	SPRING WASHER	2
52	103571	PEDAL SPRING	2
53	101768	LOCK ROD AXLECAP	2
54	101460	PEDAL WASHER	2
55	101036	PEDAL BUSHING	2
56	101494	SHAFT WASHER	2
57	108668	HANDLEBAR SPACER	2
58	100364	LINK ARM BUSHING	2
59	106115	REED SWITCH/SENSOR WIRE	1
60	101067	POWER CORD	1
61	013516	POWER PLUG SCREW	2
62	.	IF YOU NEED THE TENSION	0
.	.	MOTOR W/WIRE HARNESS SEE	0
.	.	KEY#31. IF YOU NEED THE	0
.	106732	AXLE JAM NUT SEND 106732	0
63	101049	TENSION MOTOR SCREW	2
64	108440	RIGHT NECK COVER	1
65	108439	LEFT NECK COVER	1
66	NLA	TRANSMITER	1
67	100904	SHAFT NUT	2
68	013162	TENSION BUCKLE SCREW	1
69	013294	NECK COVER SCREW	4
.	.	NON-ILLUSTRATED PARTS:	0
#	109341	L/R SIDE SHIELD DECAL	2
#	045010	ALLEN WRENCH	1
#	045028	SOCKET TOOL	1
#	101324	PHILLIPS DRIVER/WRENCH	1
#	107354	VIDEO TAPE FLYER	1
#	NLA	VIDEO TAPE	1
#	111130	OWNER'S MANUAL	1
#	111131	LITERATURE PACKET	1
.	.	111130 OWNER'S MANUAL	1
.	.	101508 PULSE EARCLIP	1
.	.	107354 VIDEO TAPE FLYER	1
#	108785	HARDWARE KIT	1
.	.	013484 1/2" MOUNT SCREW	2
.	.	045010 ALLEN WRENCH	1
.	.	013469 1 1/4" STAB BOLT	4
.	.	013294 1" NECK CVR BOLT	4
.	.	100151 5/8" HB AXLECAP	2
.	.	108668 HB SPACER	2
.	.	012056 NUT	2
.	.	013250 1 3/4" BOLT	2
.	.	100364 LINK ARM BUSHING	2
.	.	045028 SOCKET TOOL	1

MODEL NUMBER: PF41002
VERSION: 01
PRODUCT NAME: PROFORM CLUB VTP
PRODUCT DESC: EXERCISE BIKE

MODEL/PART BOOK LISTING

PAGE 3
INI023P1
RUN DATE: 1/24/97
RUN TIME: 15:36:00

KEY NUMBER	PART NUMBER	DESCRIPTION	QUANTITY
.	.	101324 PH DRIVER/WRENCH	1
.	.	013088 1/2" CNSL SCREW	4
.	.	*--THESE ARE ESTIMATED	0
.	.	COSTS!!!!!!	0