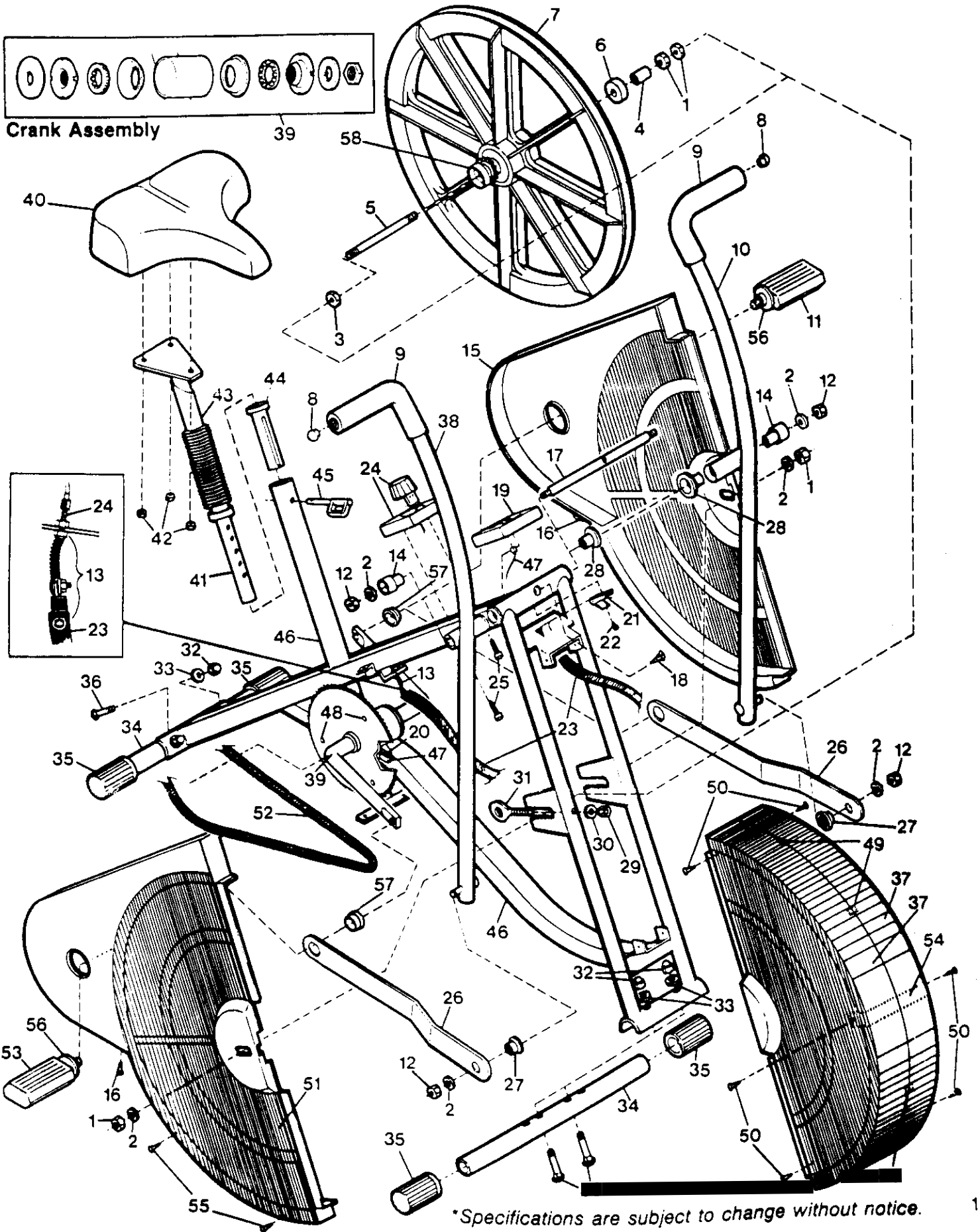


# EXPLODED DRAWING - Model No. 411101

Rev. 6/90



MODEL NUMBER: PF41110  
 VERSION: 01  
 PRODUCT NAME: PROFORM BREEZE  
 PRODUCT DESC: DUAL ACTION FITNESS TRAINER

MODEL/PART BOOK LISTING

PAGE 1  
 INI023P1  
 RUN DATE: 6/01/92  
 RUN TIME: 14:47:16

KEY NUMBER	PART NUMBER	DESCRIPTION	QUANTITY
1	100387	AXLE NUT	4
2	014030	FLAT WASHER	6
3	012169	THIN AXLE NUT	1
4	019322	AXLE SPACER	1
5	049107	AXLE SHAFT	1
6	018007	BEARING	1
7	106774	FAN ASSEMBLY	1
8	040062	HANDLEBAR ENDCAP	2
9	041065	FOAM GRIP	2
10	101826	LEFT HANDLEBAR	1
11	038045	LEFT PEDAL	1
12	012042	LOCKNUT	4
13	058028	SHORT SPRING ASSEMBLY	1
14	019325	OUTER PIVOT BUSHING	2
15	100544	LEFT SIDESHIELD	1
16	013282	SIDESHIELD BOLT	2
17	100547	PIVOT SHAFT	1
18	013336	SHAFT SCREW	1
19	032051	ELECTRONIC MONITOR	1
20	062011	ADHESIVE TAPE	3
21	050001	STRAP BUCKLE	1
22	013572	STRAP BUCKLE SCREW	1
23	100261	RESISTANCE STRAP	1
24	072057	RESISTANCE KNOB/CABLE	1
25	013569	HOUSING SCREW	2
26	101814	LINK ARM	2
27	019208	HANDLEBAR BUSHING	2
28	108443	INNER PIVOT BUSHING	4
29	012111	ADJUSTMENT NUT	1
30	014171	FORMED WASHER	1
31	013568	ADJUSTMENT BOLT	1
32	012120	ACORN NUT	4
33	014100	FORMED WASHER	4
34	100636	STABILIZER	2
35	040207	STABILIZER ENDCAP	4
36	013092	CARRIAGE BOLT	4
37	010199	FAN SHIELD	2
38	101827	RIGHT HANDLEBAR	1
39	070902	CRANK/SPROCKET ASSEMBLY	1
.	024026	SPROCKET	1
.	023018	CRANK	1
.	102572	HARDWARE ASSEMBLY	1
.	018001	BEARING	2
.	019003	BUSHING	2
.	014008	FLAT WASHER	1
.	014009	KEY WASHER	1
.	012010	NUT W/2 SLOTS	1
.	012011	NUT W/3 SLOTS	1
.	012012	HEX NUT	1
.	106881	CONSUMER NOTICE	1
40	042005	SEAT	1
41	007123	SEAT POST	1
42	012002	SEAT NUT	3

MODEL NUMBER: PF41110  
 VERSION: 01  
 PRODUCT NAME: PROFORM BREEZE  
 PRODUCT DESC: DUAL ACTION FITNESS TRAINER

MODEL/PART BOOK LISTING

PAGE 2  
 INI023P1  
 RUN DATE: 6/01/92  
 RUN TIME: 14:47:16

KEY NUMBER	PART NUMBER	DESCRIPTION	QUANTITY
44	019288	SEAT POST SLEEVE	1
45	015055	SEAT PIN	1
46	NSP	FRAME	1
47	033184	SENSOR WIRE/REED SWITCH	1
48	100498	SENSOR MAGNET	3
49	054035	CLIP	4
50	013538	FAN SHIELD SCREW	6
51	100545	RIGHT SIDESHIELD	1
52	025071	CHAIN	1
53	038046	RIGHT PEDAL	1
54	008279	FAN SHIELD BRACKET	1
55	013594	SELF-TAPPING SCREW	4
56	019331	PEDAL BUSHING	2
57	019287	LINK ARM BUSHING	2
58	100475	BEARING CUP ASSEMBLY	1
#	.	NON-ILLUSTRATED PARTS	0
#	045028	LONG SOCKET TUBE	1
#	101324	PH. DRIVER/WRENCH	1
#	101136	LEFT SIDESHIELD DECAL	1
#	101137	RIGHT SIDESHIELD DECAL	1
#	089016	MONITOR OPERATION GUIDE	1
#	101217	OWNERS MANUAL	1
#	101219	LITERATURE PACKET	1
.	.	101217 OWNERS MANUAL	1
.	.	089016 MON. OPER. GUIDE	1
.	101813	HARDWARE/MISC. PARTS PACK	1
.	.	100636 STABILIZER	2
.	.	040207 STABILIZER ENDCAP	4
.	.	013092 CARRIAGE BOLT	4
.	.	014100 FORMED WASHER	4
.	.	012120 ACORN NUT	4
.	.	014030 FLAT WASHER	2
.	.	100547 PIVOT SHAFT	1
.	.	013336 SHAFT SCREW	1
.	.	012042 LOCKNUT	2
.	.	101814 LINK ARM	2
.	.	019287 LINK ARM BUSHING	2
.	.	038045 LEFT PEDAL	1
.	.	038046 RIGHT PEDAL	1
.	.	045028 LONG SOCKET TUBE	1
.	.	101324 PH. DRIVER/WRENCH	1
.	.	019331 PEDAL BUSHING	1
.	.	NOTE: HARDWARE KIT IS	0
.	.	SEPARATE FROM LIT PAC	0
#	.	THIS IS AN ESTIMATED	0
#	.	COST!!!!	0