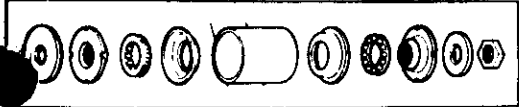


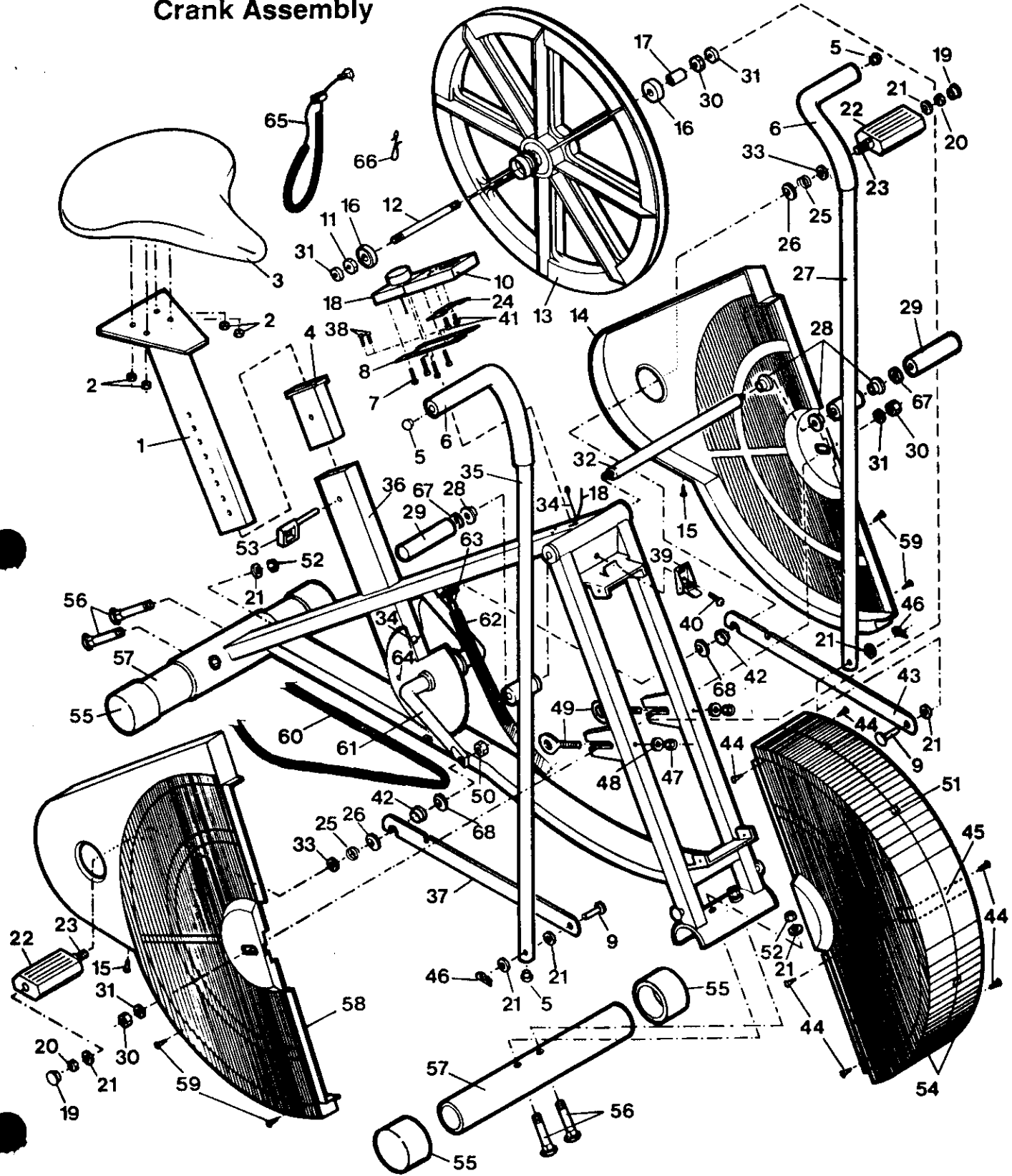
EXPLODED DRAWING - MODEL NO. PF411500

Rev 8/90

Specifications are subject to change without notice.



Crank Assembly



MODEL NUMBER: PF41150
 VERSION: 00
 PRODUCT NAME: PROFORM AIR EXPRESS
 PRODUCT DESC: BIKE

MODEL/PART BOOK LISTING

PAGE 1
 INI023P1

RUN DATE: 2/22/95
 RUN TIME: 16:03:01

| KEY NUMBER | PART NUMBER | DESCRIPTION | QUANTITY |
|------------|-------------|---------------------------|----------|
| 1 | 100293 | SEAT POST | 1 |
| 2 | 012096 | SEAT NUT | 4 |
| 3 | 100948 | SEAT | 1 |
| 4 | 100321 | SEAT POST SLEEVE | 1 |
| 5 | 102638 | HANDLEBAR ENDCAP | 4 |
| 6 | 100306 | FOAM GRIP | 2 |
| 7 | 101466 | RESISTANCE HOUSING SCREW | 4 |
| 8 | 101602 | CONSOLE PLATE | 1 |
| 9 | 101778 | CLEVIS PIN | 2 |
| 10 | 100910 | ELECTRONIC MONITOR | 1 |
| 11 | . | NOT USED | 0 |
| 12 | 100682 | AXLE SHAFT | 1 |
| | . | NOTE: IF KEY #16(BEARING) | 0 |
| | . | IS SILVER USE 100682, IF | 0 |
| | . | IT IS BRASS USE 104825. | 0 |
| 13 | 106774 | FAN ASSEMBLY (W/BUSHINGS) | 1 |
| 14 | 101769 | LEFT SIDE SHIELD | 1 |
| 15 | 100998 | SIDE SHIELD SCREW | 2 |
| 16 | 018007 | FAN BEARING | 2 |
| | . | NOTE: IF KEY #16(BEARING) | 0 |
| | . | IS SILVER USE 018007, IF | 0 |
| | . | IT IS BRASS USE 104824. | 0 |
| 17 | 100747 | AXLE SPACER | 1 |
| | . | NOTE: IF KEY #16(BEARING) | 0 |
| | . | IS SILVER USE 100747, IF | 0 |
| | . | IT IS BRASS USE 014073. | 0 |
| 18 | 101465 | RESISTANCE KNOB ASSEMBLY | 1 |
| 19 | 040158 | PEDAL CAP | 2 |
| 20 | 012002 | PEDAL NUT | 2 |
| 21 | 014041 | WASHER | 10 |
| 22 | 100906 | PEDAL | 2 |
| 23 | 100905 | PEDAL SHAFT | 2 |
| 24 | 101603 | MONITOR PLATE | 1 |
| 25 | 100929 | PEDAL SPRING | 2 |
| 26 | 101460 | PEDAL WASHER | 2 |
| 27 | 100303 | LEFT HANDLEBAR | 1 |
| 28 | 100323 | PIVOT BUSHING | 6 |
| 29 | 100325 | FOOT REST | 2 |
| 30 | 012065 | AXLE NUT | 3 |
| 31 | 014041 | AXLE WASHER | 4 |
| 32 | 100324 | PIVOT SHAFT | 1 |
| 33 | 101459 | SPRING WASHER | 2 |
| 34 | 100335 | SENSOR WIRE/REED SWITCH | 1 |
| 35 | 100299 | RIGHT HANDLEBAR | 1 |
| 36 | NSP | FRAME | 1 |
| 37 | 101030 | RIGHT LINK ARM | 1 |
| 38 | 013423 | CONSOLE PLATE SCREW | 2 |
| 39 | 050001 | TENSION BUCKLE | 1 |
| 40 | 101288 | TENSION BUCKLE SCREW | 1 |
| 41 | 101466 | MONITOR SCREW | 2 |
| 42 | 101036 | LINK ARM BUSHING | 2 |
| 43 | 101030 | LEFT LINK ARM | 1 |
| 44 | 100998 | FAN SHIELD SCREW | 6 |
| 45 | 008279 | FAN SHIELD BRACKET | 1 |

MODEL NUMBER: PF41150
 VERSION: 00
 PRODUCT NAME: PROFORM AIR EXPRESS
 PRODUCT DESC: BIKE

MODEL/PART BOOK LISTING

PAGE 2
 IN1023P1

RUN DATE: 2/22/95
 RUN TIME: 16:03:01

| KEY NUMBER | PART NUMBER | DESCRIPTION | QUANTITY |
|------------|-------------|--------------------------|----------|
| 46 | 109694 | COTTER PIN | 2 |
| 47 | 012006 | ADJUSTMENT NUT | 2 |
| 48 | 014041 | ADJUSTMENT WASHER | 2 |
| 49 | 013568 | ADJUSTMENT BOLT | 2 |
| 50 | 100904 | SHAFT NUT | 2 |
| 51 | 054035 | FAN SHIELD CLIP | 4 |
| 52 | 012082 | LOCK NUT | 4 |
| 53 | 100298 | SEAT PIN | 1 |
| 54 | 010199 | FAN SHIELD | 2 |
| 55 | 102637 | STABILIZER CAP | 4 |
| 56 | 100994 | CARRIAGE BOLT | 4 |
| 57 | 100288 | STABILIZER | 2 |
| 58 | 100545 | RIGHT SIDE SHIELD | 1 |
| 59 | 100998 | SELF-TAPPING SCREW | 4 |
| 60 | 025071 | CHAIN | 1 |
| 61 | 100639 | CRANK/SPROCKET ASSEMBLY | 1 |
| . | . | 101115 CRANK | 1 |
| . | . | 101116 SPROCKET | 1 |
| . | . | 100498 MAGNET | 1 |
| . | . | 110465 HARDWARE ASSEMBLY | 1 |
| . | . | 018001 BEARING | 2 |
| . | . | 019003 BEARING CUP | 2 |
| . | . | 014008 FLAT WASHER | 1 |
| . | . | 014009 KEYED WASHER | 1 |
| . | . | 012010 NUT W/2 SLOTS | 1 |
| . | . | 012011 NUT W/3 SLOTS | 1 |
| . | . | 012012 HEX NUT | 1 |
| . | . | 106881 CONSUMER NOTICE | 1 |
| 62 | 100261 | RESISTANCE STRAP | 1 |
| 63 | . | SEE #18 | 0 |
| 64 | 100498 | SENSOR MAGNET | 1 |
| 65 | 112589 | PULSE/CLOTHES CLIP ASSY. | 1 |
| 66 | 054013 | CLOTHES CLIP | 1 |
| 67 | 014066 | PIVOT SHAFT LOCK WASHER | 2 |
| 68 | 101494 | SHAFT WASHER | 2 |
| . | . | NON-ILLUSTRATED PARTS: | 0 |
| A | 101469 | LEFT SIDE SHIELD DECAL | 1 |
| B | 101470 | RIGHT SIDE SHIELD DECAL | 1 |
| C | 101425 | LINK ARM DECAL | 2 |
| D | 102398 | SHORT SOCKET TUBE | 1 |
| E | 101324 | PH. SCREWDRIVER/WRENCH | 1 |
| F | 101463 | MONITOR OPERATION GUIDE | 1 |
| G | 102575 | OWNERS MANUAL | 1 |
| . | 101035 | PEDAL ASSEMBLY | 1 |
| . | . | 100905 PEDAL SHAFT | 2 |
| . | . | 100906 PEDAL | 2 |
| . | . | 100904 SHAFT NUT | 2 |
| . | . | 101494 SHAFT WASHER | 2 |
| . | . | 101036 PEDAL BUSHING | 2 |
| . | . | 101460 PEDAL WASHER | 2 |
| . | . | 101459 SPRING WASHER | 2 |
| . | . | 100929 PEDAL SPRING | 2 |
| . | . | 014041 WASHER | 2 |
| . | . | 012002 NUT | 2 |

MODEL NUMBER: PF41150
VERSION: 00
PRODUCT NAME: PROFORM AIR EXPRESS
PRODUCT DESC: BIKE

MODEL/PART BOOK LISTING

PAGE 3

INI023P1

RUN DATE: 2/22/95

RUN TIME: 16:03:01

| KEY NUMBER | PART NUMBER | DESCRIPTION | QUANTITY |
|------------|-------------|--------------------------|----------|
| . | . | 040158 PEDAL CAP | 2 |
| 102574 | . | LITERATURE PACKET | 1 |
| . | . | 102575 OWNERS MANUAL | 1 |
| . | . | 101463 MON. OPER. GUIDE | 1 |
| 103539 | . | HARDWARE KIT | 1 |
| . | . | 100994 CARRIAGE BOLT | 4 |
| . | . | 014041 WASHER | 8 |
| . | . | 012082 LOCKNUT | 4 |
| . | . | 100298 SEAT PIN | 1 |
| . | . | 014066 LOCK WASHER | 2 |
| . | . | 102398 SOCKET TUBE | 1 |
| . | . | 101324 PH. DRIVER/WRENCH | 1 |
| . | . | 101508 PULSE EARCLIP | 1 |