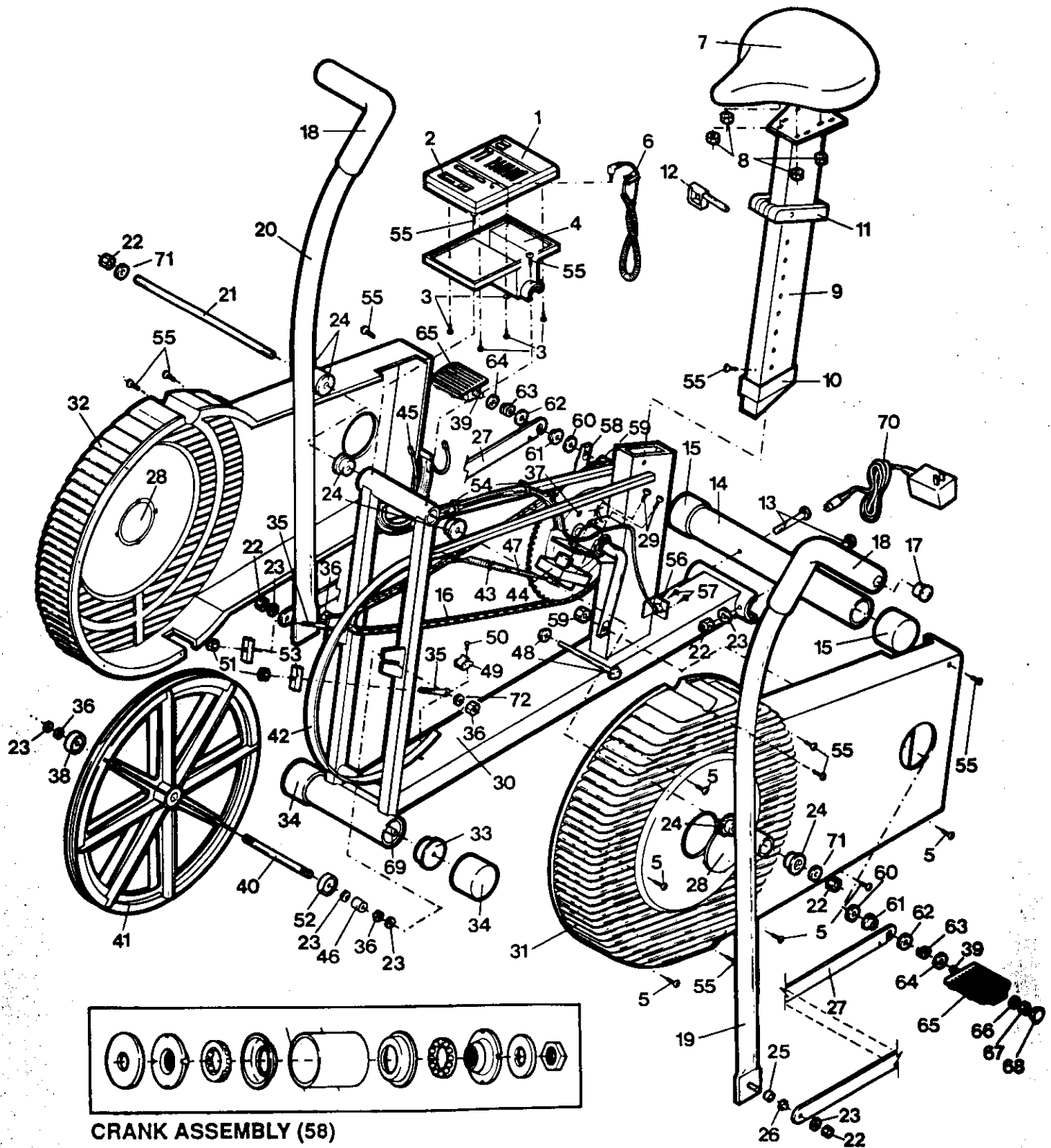


Specifications are subject to change without notice.



MODEL NUMBER: PF41190

MODEL/PART BOOK LISTING

PAGE 1

VERSION: 01

INI023P1

PRODUCT NAME: PROFORM AIROBIC TRAINER

RUN DATE: 9/20/93

PRODUCT DESC:

RUN TIME: 9:54:03

KEY NUMBER	PART NUMBER	DESCRIPTION	QUANTITY
1	102408	PROGRAMMABLE CONSOLE	1
2	103097	ELECTRONIC MONITOR	1
3	013516	CONSOLE SCREW	5
4	101666	MOUNTING BRACKET	1
5	013088	SIDE SHIELD SCREW	5
6	101508	PULSE MONITOR CLIP	1
7	100948	SEAT	1
8	012096	SEAT NUT	4
9	101663	SEAT POST	1
10	103252	INNER SLEEVE	1
11	101662	SEAT POST SLEEVE	1
12	101694	SEAT POST PIN	1
13	013207	CARRIAGE BOLT	2
14	101656	REAR STABILIZER	1
15	101771	REAR STABILIZER ENDCAP	2
16	101726	CHAIN	1
17	101682	HANDLEBAR ENDCAP	2
18	101731	HANDLEBAR FOAM GRIP	2
19	101667	LEFT HANDLEBAR	1
20	105040	RIGHT HANDLEBAR	1
21	100324	PIVOT SHAFT	1
22	012082	NUT	6
23	014041	WASHER	5
24	103625	HANDLEBAR BUSHING	6
25	103550	HANDLEBAR SPACER	2
26	100364	LINK ARM BUSHING	2
27	108161	L/R LINK ARM W/DECAL	2
	.	101679 LINK ARM	1
	.	105550 LINK ARM DECAL	1
28	102403	ACCESS COVER	2
29	101049	MOTOR MOUNTING SCREW	2
30	NSP	FRAME	1
31	112985	L/R SIDE SHIELD ASSEMBLY	1
32	102402	RIGHT SIDE SHIELD	1
33	101658	ROLLER BUSHING	2
34	101661	ROLLER	2
35	101894	ADJUSTMENT BOLT	2
36	012065	FAN NUT	4
37	100498	SENSOR MAGNET	1
38	100475	FAN BEARING ASSEMBLY	1
	.	NOTE: IF KEY #52(BEARING)	0
	.	IS SILVER USE 100475, IF	0
	.	IT IS BRASS USE 104824.	0
39	100905	PEDAL SHAFT	2
40	100682	FAN AXLE	1
	.	NOTE: IF KEY #52(BEARING)	0
	.	IS SILVER USE 100682, IF	0
	.	IT IS BRASS USE 104825.	0
41	106774	FAN ASSEMBLY (W/BUSHINGS)	1
42	100261	RESISTANCE STRAP	1
43	102037	SPRING ASSEMBLY	1
44	100869	TENSION MOTOR ASSEMBLY	1
45	100949	SENSOR WIRE/REED SWITCH	1
46	101759	AXLE SPACER	1

MODEL NUMBER: PF41190
 VERSION: 01
 PRODUCT NAME: PROFORM AIROBIC TRAINER
 PRODUCT DESC:

MODEL/PART BOOK LISTING

RUN DATE: 9/20/93
 RUN TIME: 9:54:03

KEY NUMBER	PART NUMBER	DESCRIPTION	QUANTITY
.	.	NOTE: IF KEY #52(BEARING)	0
.	.	IS SILVER USE 101759, IF	0
.	.	IT IS BRASS USE 014073.	0
47	101042	TENSION ROPE	1
48	101768	AXLECAP	2
49	050001	TENSION BUCKLE	1
50	101288	TENSION BUCKLE SCREW	1
51	012096	ADJUSTMENT NUT	2
52	018007	FAN BEARING	1
.	.	NOTE: IF KEY #52(BEARING)	0
.	.	IS SILVER USE 018007, IF	0
.	.	IT IS BRASS USE 104824.	0
53	100128	ADJUSTMENT BRACKET	2
54	016057	WIRE TIE	6
55	103502	SCREW	9
56	102047	POWER PLUG	1
57	013516	POWER PLUG SCREW	2
58	101719	CRANK/SPROCKET ASSEMBLY	1
.	.	101115 CRANK	1
.	.	101720 SPROCKET	1
.	.	110465 HARDWARE PACKET	1
.	.	018001 BEARING	2
.	.	019003 BUSHING	2
.	.	014008 FLAT WASHER	1
.	.	014009 KEYED WASHER	1
.	.	012010 NUT W/2 SLOTS	1
.	.	012011 NUT W/3 SLOTS	1
.	.	012012 HEX NUT	1
.	.	106881 CONSUMER NOTICE	1
59	100904	SHAFT NUT	2
60	101494	SHAFT WASHER	2
61	101036	PEDAL BUSHING	2
62	101460	PEDAL WASHER	2
63	103571	PEDAL SPRING	2
64	101459	SPRING WASHER	2
65	101683	PEDAL	2
65A	114568	PEDAL ASSEMBLY	2
.	.	101683 PEDAL	1
.	.	100905 PEDAL AXLE	1
.	.	100904 AXLE NUT	1
.	.	101494 AXLE WASHER	1
.	.	101036 PEDAL BUSHING	1
.	.	101460 PEDAL WASHER	1
.	.	101459 SPRING WASHER	1
.	.	103571 PEDAL SPRING	1
.	.	014073 OUTER PEDAL WASHER	1
.	.	012002 OUTER PEDAL NUT	1
.	.	040158 PEDAL ENDCAP	1
66	014073	OUTER PEDAL WASHER	2
67	012002	OUTER PEDAL NUT	2
68	040158	PEDAL CAP	2
69	101659	ROLLER AXLE	1
70	101067	POWER CORD	1
71	014087	LARGE WASHER	2

MODEL NUMBER: PF41190

MODEL/PART BOOK LISTING

PAGE

VERSION: 01

INI023

PRODUCT NAME: PROFORM AIROBIC TRAINER

RUN DATE: 9/20/9

PRODUCT DESC:

RUN TIME: 9:54:0

KEY NUMBER	PART NUMBER	DESCRIPTION	QUANTIT
.	.	NON-ILLUSTRATED PARTS:	0
A	101804	SEAT POST DECAL	1
B	105550	L/R LINK ARM DECAL	2
C	101801	L/R SIDE SHIELD DECAL	2
D	101324	DRIVER/WRENCH	1
E	102398	SHORT SOCKET TUBE	1
F	045028	LONG SOCKET TUBE	1
G	101732	MONITOR OPERATION GUIDE	1
H	103764	OWNERS MANUAL	1
	103785	LITERATURE PACKET	1
	.	103764 OWNERS MANUAL	1
	.	101732 MON. OPER. GUIDE	1
	103806	HARDWARE KIT	1
	.	101324 DRIVER/WRENCH	1
	.	045028 LONG SOCKET TUBE	1
	.	102398 SHORT SOCKET TUBE	1
	.	101508 PULSE EARCLIP	1
	.	101694 SEAT PIN	1
	.	014087 LARGE WASHER	2
	.	013207 CARRIAGE BOLT	2
	.	100364 LINK ARM BUSHING	2
	.	103550 HANDLEBAR SPACER	2
	.	014041 FLAT WASHER	4
	.	012082 HEX NUT	6
	.	NOTE: HARDWARE KIT IS	0
	.	SEPARATE FROM LIT PAC	0