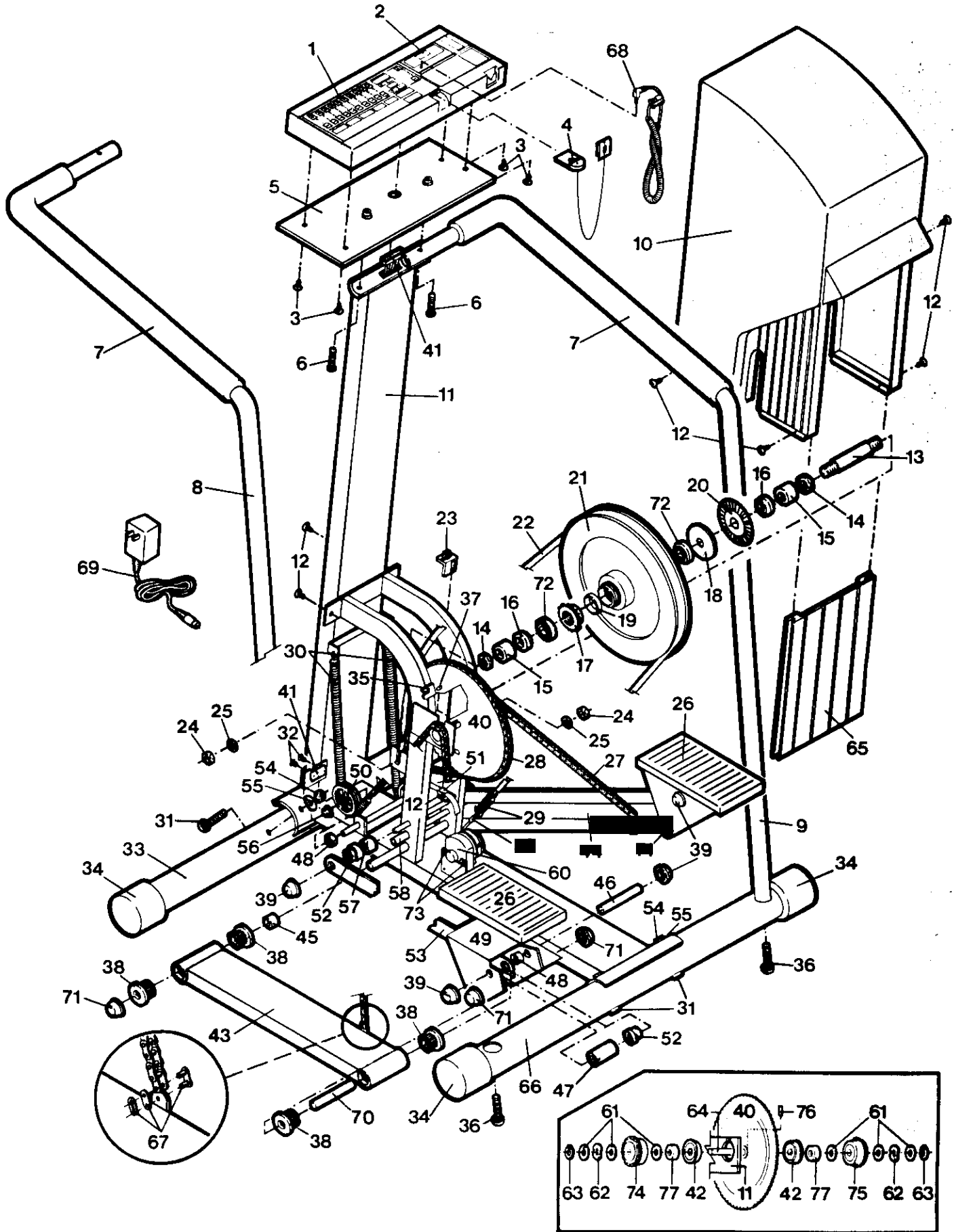


EXPLODED DRAWING - Model No. PF501700

Rev. 2/91



MODEL NUMBER: PF50170
VERSION: 00
PRODUCT NAME: PROFORM 3001 STX
PRODUCT DESC:

MODEL/PART BOOK LISTING

PAGE 1
INI023P1
RUN DATE: 2/08/97
RUN TIME: 11:42:30

KEY NUMBER	PART NUMBER	DESCRIPTION	QUANTITY
1	107154	PROGRAMMABLE CONSOLE	1
2	104448	ELECTRONIC MONITOR	1
3	013322	CONSOLE SCREW	4
4	104101	POWER KEY/CLIP	1
5	104277	CONSOLE PLATE	1
6	013561	CONSOLE BOLT	2
7	NLA	HANDRAIL FOAM	2
8	NLA	LEFT HANDRAIL W/FOAM	1
9	104295	RIGHT HANDRAIL W/FOAM	1
10	104574	HOOD W/DECALS	1
11	NSP	FRAME	1
12	013162	SCREW	7
13	104429	FLYWHEEL AXLE	1
14	101980	JAM NUT	2
15	103941	FLYWHEEL SPACER	2
16	014004	BEVELED WASHER	2
17	104008	FLYWHEEL SPROCKET	1
18	104443	ADHESIVE DISK	1
19	104264	SPACER	1
20	104544	OPTICAL DISK W/TAPE	1
21	104267	FLYWHEEL ASSEMBLY	1
	.	102356 BEARING	2
22	102370	RESISTANCE STRAP	1
23	104217	OPTICAL READER	1
24	012175	AXLE NUT	2
25	104478	AXLE WASHER	2
26	104309	PEDAL COVER ASSEMBLY	2
27	104302	PEDAL CHAIN W/MASTER LINK	2
28	102352	DRIVE CHAIN	1
29	103909	SPRING ASSEMBLY	1
30	124855	PEDAL SPRING	2
31	013207	CARRIAGE BOLT	4
32	101577	POWER PLUG MOUNTING SCREW	2
33	102338	FRONT STABILIZER	1
34	103687	ENDCAP	4
35	033148	REED SWITCH/SENSOR WIRE	1
36	104655	HANDRAIL MOUNTING BOLT	2
37	100498	MAGNET	3
38	100048	PEDAL BUSHING	8
39	103903	PUSH NUT	6
40	111896	SPROCKET ASSEMBLY	1
41	104214	WIRE HARNESS/POWER PLUG	1
42	102348	BEARING	2
43	104268	LEFT PEDAL LEG ASSEMBLY	1
44	104269	RIGHT PEDAL LEG ASSEMBLY	1
45	103672	FRONT SPACER	2
46	103871	PEDAL ROD	2
47	103680	REAR SPACER	2
48	103679	SMALL SPACER	4
49	104273	PEDAL ASSEMBLY	2
50	104275	PULLEY ASSEMBLY	2
51	050001	TENSION BUCKLE	1
52	103677	BUSHING	4
53	111376	LINK ARM ASSEMBLY	2

MODEL NUMBER: PF50170
 VERSION: 00
 PRODUCT NAME: PROFORM 3001 STX
 PRODUCT DESC:

MODEL/PART BOOK LISTING

PAGE 2
 INI023P1
 RUN DATE: 2/08/97
 RUN TIME: 11:42:30

KEY NUMBER	PART NUMBER	DESCRIPTION	QUANTITY
54	012082	STABILIZER NUT	4
55	014041	WASHER	4
56	103957	PULLEY AXLE CAP	2
57	103681	LINK ARM SPACER	2
58	104446	BUMPER	2
59	101042	TENSION ROPE	1
60	103888	TENSION MOTOR	1
61	102350	SPROCKET WASHER	6
62	102960	SPRING WASHER	2
63	104365	RETAINER	2
64	104357	AXLE	1
65	104035	ACCESS COVER	1
66	102337	REAR STABILIZER	1
67	104111	MASTER LINK ASSEMBLY	4
68	119946	PULSE/CLOTHES CLIP ASSY.	1
69	104216	POWER CORD	1
70	103902	LOWER PEDAL ROD	2
71	103735	LARGE PUSH NUT	6
72	102356	FLYWHEEL BEARING	2
73	101049	TENSION MOTOR MTG. SCREW	2
74	118108	L/R SPROCKET ASSEMBLY	1
75	.	SEE KEY# 74	1
76	102961	ROLL PIN	1
77	104368	AXLE SPACER	2
.	.	NON-ILLUSTRATED PARTS:	0
#	102353	BUSHING	2
#	104444	BOTTOM FRAME BUMPER	1
#	104536	EYEBOLT	2
#	012096	EYEBOLT NUT	2
#	100128	EYEBOLT BRACKET	2
#	106893	LEFT HOOD DECAL	1
#	106894	RIGHT HOOD DECAL	1
#	045010	ALLEN WRENCH	1
#	016028	WRENCH CLIP	1
#	104449	MONITOR OPERATION GUIDE	1
#	107490	LINK ARM WARNING DECAL	2
#	102198	OWNERS MANUAL	1
#	102197	LITERATURE PACKET	1
.	.	102198 OWNERS MANUAL	1
.	.	104449 MON. OPER. GUIDE	1
.	.	101508 PULSE EARCLIP	1
.	.	104101 POWER KEY/CLIP	1
.	.	103739 HARDWARE KIT	1
.	.	013207 CARRIAGE BOLT	4
.	.	012082 HEX NUT	4
.	.	014041 FLAT WASHER	4
.	.	013561 2" CONSOLE BOLT	2
.	.	045010 ALLEN WRENCH	1
.	.	016028 WRENCH CLIP	1
.	.	101049 .5" SCREW	4
.	.	*--THIS IS AN ESTIMATED	0
.	.	COST!!!!	0