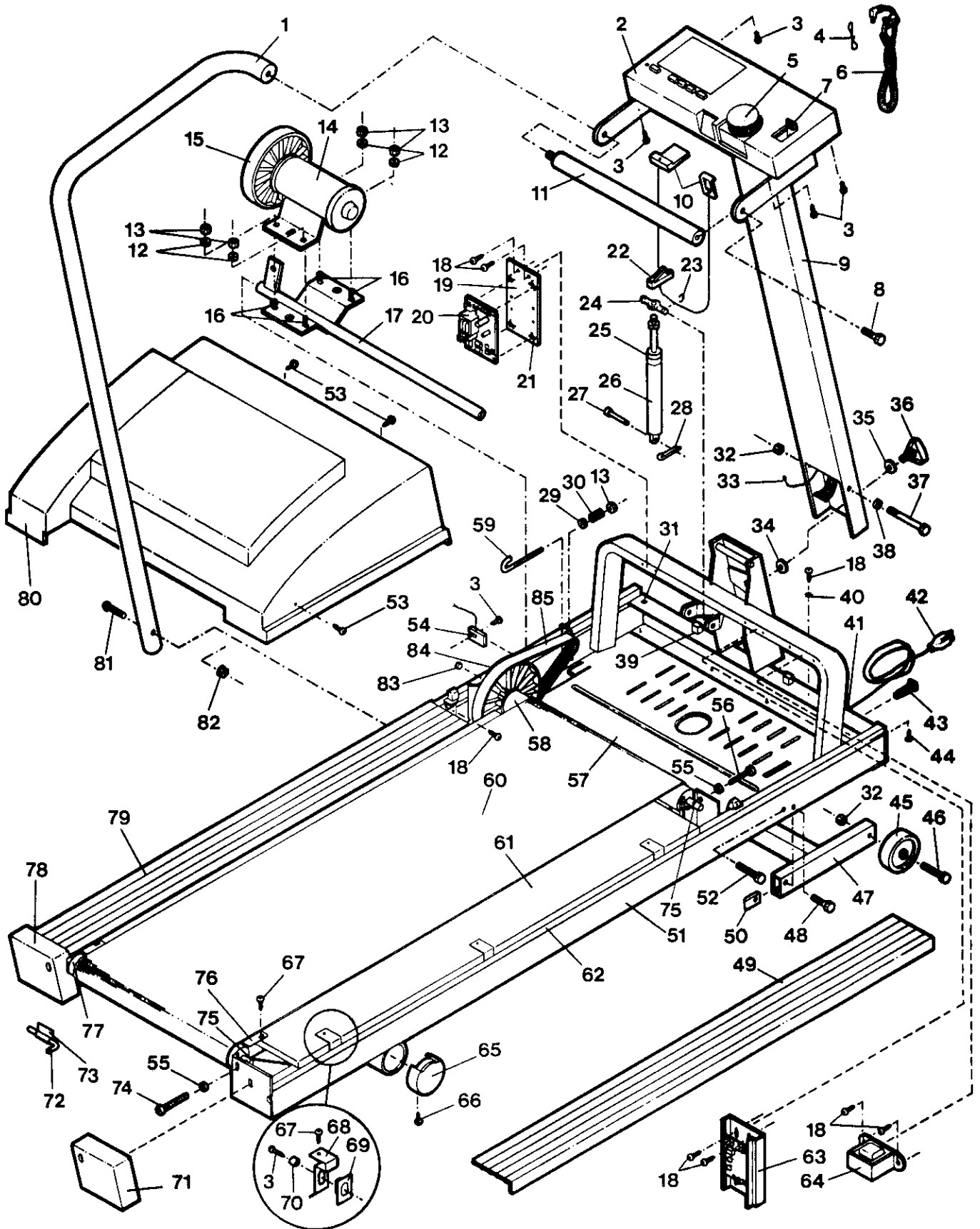


EXPLODED DRAWING- Model No. PF624010

Rev. 9/91

Specifications are subject to change without notice.



MODEL NUMBER: PF62401
VERSION: 00
PRODUCT NAME: PF62401
PRODUCT DESC:

MODEL/PART BOOK LISTING

PAGE 1
INI023P1

RUN DATE: 2/07/97
RUN TIME: 19:48:23

KEY NUMBER	PART NUMBER	DESCRIPTION	QUANTITY
1	105638	SIDE RAIL	1
2	104239	CONSOLE	1
3	104626	SCREW	11
4	054013	CLOTHES CLIP	1
5	106835	SPEED DIAL	1
6	119946	PULSE/CLOTHES CLIP ASSY.	1
7	106277	INCLINE CONTROL	1
8	104581	HANDRAIL BOLT	1
9	105552	UPRIGHT POST	1
10	106593	SAFETY KEY/CLIP	1
11	105713	HANDRAIL *	1
12	101630	MOTOR MOUNT WASHER	4
13	012082	MOTOR MOUNT NUT	5
14	121876	MOTOR	1
14A	103997	MOTOR/PULLEY ASSEMBLY	0
15	100147	PULLEY/FLYWHEEL/FAN	1
16	013445	MOTOR MOUNT BOLT	4
17	106100	MOTOR MOUNT SWIVEL SHAFT	1
18	013423	MOUNTING SCREW	11
19	106261	POWER SUPPLY PLATE	1
20	106278	POWER SUPPLY	1
21	125819	PLASTIC STAND-OFF	4
22	088004	LIFT CYLINDER RELEASE	1
23	054016	E-CLIP	1
24	008149	CYLINDER MOUNT BRACKET	1
25	059019	LIFT CUSHION	1
26	043025	LIFT CYLINDER	1
27	101639	CYLINDER PIN	1
28	106334	COTTER PIN	1
29	014041	TENSION WASHER	1
30	104514	TENSION SPRING	1
31	016055	WIRE CLIP	4
32	012108	LOCKNUT	3
33	088005	INCLINE CABLE	1
34	105388	UPRIGHT SPACER	1
35	014156	LOCK KNOB WASHER	1
36	017088	LOCK KNOB	1
37	104925	PIVOT BOLT	1
38	014087	PIVOT WASHER	2
39	008148	HOOD ANCHOR	4
40	014157	GROUND WASHER	1
41	019084	GROMMET	1
42	031229	POWER CORD	1
43	031036	CIRCUIT BREAKER	1
44	104623	PLASTIC PIN	12
45	052014	FRONT WHEEL	2
46	103045	WHEEL BOLT	2
47	106097	INCLINE LEG	1
48	013293	LEG BOLT	2
49	107636	RIGHT FOOT RAIL *	1
50	012179	U-NUT	2
51	NSP	FRAME	1
52	104624	SWIVEL SHAFT BOLT	2
53	104621	HOOD SCREW	4

MODEL NUMBER: PF62401
 VERSION: 00
 PRODUCT NAME: PF62401
 PRODUCT DESC:

MODEL/PART BOOK LISTING

PAGE 2
 INI023P1

RUN DATE: 2/07/97
 RUN TIME: 19:48:23

KEY NUMBER	PART NUMBER	DESCRIPTION	QUANTITY
54	124434	SENSOR WIRE/REED SWITCH	1
55	014127	ADJUSTMENT WASHER	3
56	106615	FRONT ROLLER ADJ. BOLT	1
57	NLA	SAFETY COVER	1
58	106175	FRONT ROLLER/SLV/PULY ASY	1
59	103855	J-BOLT	1
60	126371	WALKING BELT ASSEMBLY	1
.	.	124299 WALKING BELT	1
.	.	127860 NAIL	12
.	.	107187 REPLACEMENT INSTR.	1
61	105489	WALKING PLATFORM	1
62	105956	HIGH DENSITY FOAM	2
63	129854	CONTROLLER W/RI	1
64	031238	CHOKE	1
65	040156	REAR LEG ENDCAP	2
66	013162	REAR LEG SCREW	2
67	013141	PLATFORM SCREW	8
68	105261	PLATFORM CLAMP	6
69	105392	PLATFORM CLAMP BUSHING	6
70	105475	SMALL BUSHING	6
71	104732	RIGHT ENDCAP	1
72	045010	ALLEN WRENCH	1
73	016028	TOOL CLAMP	1
74	105444	REAR ROLLER ADJ. BOLT	2
75	105000	ROLLER SPACER	3
76	010206	ROLLER GUARD	2
77	070084	REAR ROLLER	1
78	104731	LEFT ENDCAP	1
79	107635	LEFT FOOT RAIL *	1
80	104238	MOTOR HOOD W/DECAL	1
.	.	104599 MOTOR HOOD	1
.	.	105661 MOTOR HOOD DECAL	1
81	105722	SIDE RAIL BOLT	1
82	105477	SIDE RAIL NUT	1
83	100498	SENSOR MAGNET	1
84	105257	FRONT ROLLER INSERT	1
85	101004	BELT	1
.	.	NON-ILLUSTRATED PARTS:	0
#	107618	FRAME DECAL	2
#	NLA	MOTOR HOOD DECAL	1
#	106220	OWNER'S MANUAL	1
#	106219	LITERATURE PACKET	1
.	.	106220 OWNER'S MANUAL	1
.	.	101508 PULSE EARCLIP	1
.	.	054013 CLOTHES CLIP	1
.	.	017088 LOCK KNOB	1
.	.	014156 LOCK KNOB WASHER	1
.	.	105388 UPRIGHT SPACER	1
.	.	105458 HARDWARE KIT	1
.	.	016028 TOOL CLAMP	1
.	.	045010 ALLEN WRENCH	1
.	.	105722 SIDERAIL BOLT, 3"	1
.	.	105477 SIDERAIL NUT	1
.	.	*--THESE ARE ESTIMATED	0