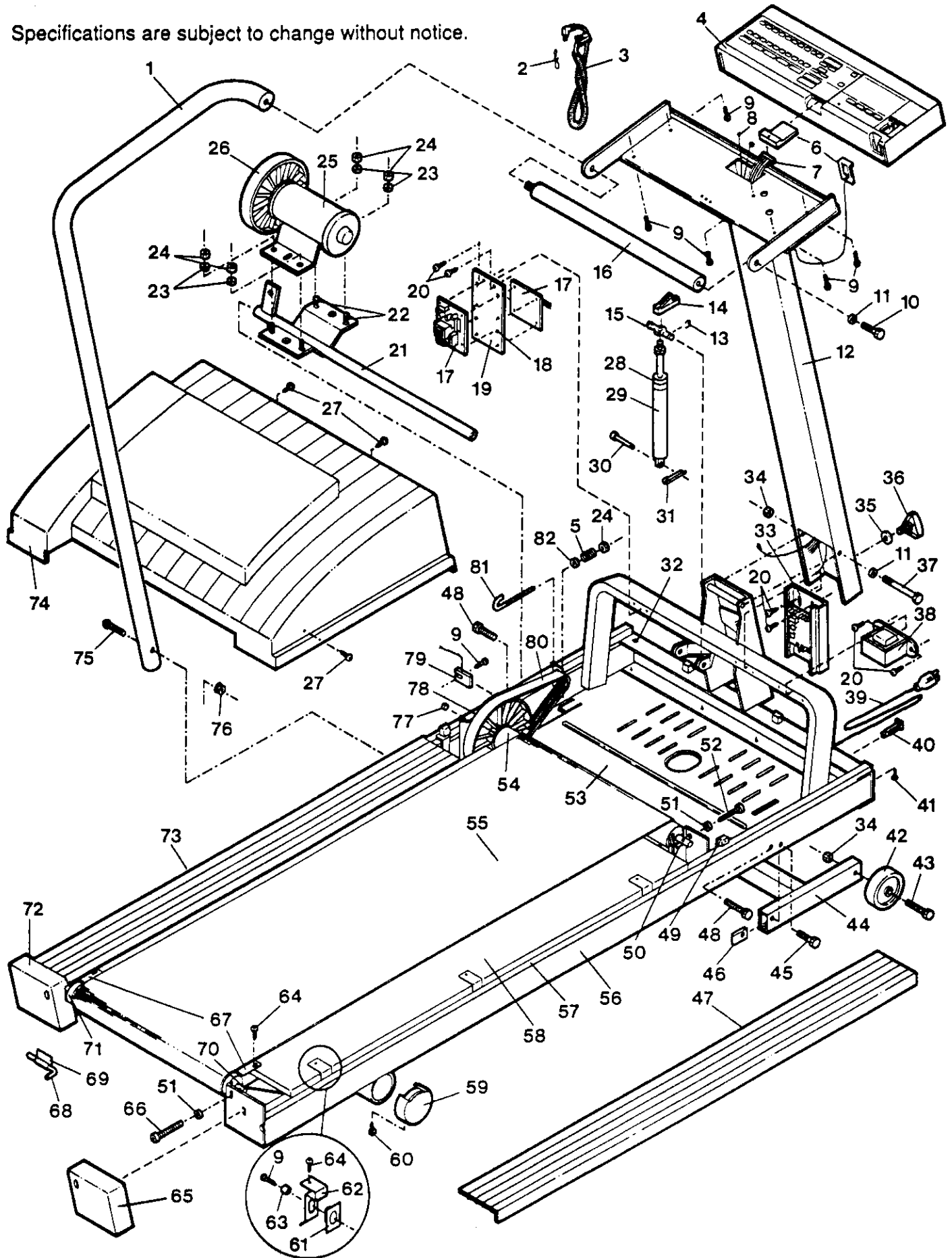


EXPLODED DRAWING- Model No. PF626010

Rev. 7/91

Specifications are subject to change without notice.



MODEL NUMBER: PF62601
VERSION: 00
PRODUCT NAME: PF62601
PRODUCT DESC:

MODEL/PART BOOK LISTING

PAGE 1
INI023P1
RUN DATE: 2/07/97
RUN TIME: 19:48:31

KEY NUMBER	PART NUMBER	DESCRIPTION	QUANTITY
1	105638	SIDE RAIL	1
2	054013	CLOTHES CLIP	1
3	119946	PULSE/CLOTHES CLIP ASSY.	1
4	107091	CONSOLE	1
5	104514	TENSION SPRING	1
6	106593	SAFETY CARD/CLIP	1
7	102250	WIRE HARNESS	1
8	088005	INCLINE CABLE	1
9	104626	SCREW	12
10	104581	HANDRAIL BOLT	1
11	014087	FLAT WASHER	2
12	NLA	UPRIGHT POST	1
13	054016	E-CLIP	1
14	088004	LIFT CYLINDER RELEASE	1
15	008149	CYLINDER MOUNT BRACKET	1
16	105714	HANDRAIL *	1
17	110184	LINK/ISOLATION BOARD	1
18	125819	PLASTIC STAND-OFF	8
19	106261	PLATE	1
20	013423	SMALL SCREW	11
21	105389	MOTOR MOUNT BRACKET	1
22	013445	MOTOR MOUNT BOLT	4
23	101630	MOTOR MOUNT WASHER	4
24	012082	MOTOR MOUNT NUT	5
25	103997	MOTOR ASSEMBLY	1
26	100147	PULLEY/FLYWHEEL/FAN	1
27	104621	HOOD SCREW	4
28	059019	LIFT CUSHION	1
29	043025	LIFT CYLINDER	1
30	101639	CYLINDER PIN	1
31	106334	COTTER PIN	1
32	016055	WIRE CLIP	4
33	129854	CONTROLLER W/RI	1
34	012108	LOCK NUT	3
35	014156	LOCK KNOB WASHER	1
36	017088	LOCK KNOB	1
37	104925	PIVOT BOLT	1
38	031238	CHOKE	1
39	031229	POWER CORD	1
40	031036	CIRCUIT BREAKER	1
41	104623	PLASTIC PIN	12
42	052014	WHEEL	2
43	103045	WHEEL BOLT	2
44	NLA	INCLINE LEG	1
45	013293	INCLINE LEG BOLT	2
46	012179	U-NUT	2
47	107636	RIGHT DECK RAIL	1
48	104624	BRACKET BOLT	2
49	008148	HOOD ANCHOR	4
50	105672	FRONT ROLLER SPACER	1
51	014127	ADJUSTMENT WASHER	3
52	106615	FRONT ROLLER ADJ. BOLT	1
53	NLA	SAFETY COVER	1
54	107364	FRONT ROLLER/SLV/PULY ASY	1

MODEL NUMBER: PF62601
VERSION: 00
PRODUCT NAME: PF62601
PRODUCT DESC:

MODEL/PART BOOK LISTING

PAGE 2
INI023P1

RUN DATE: 2/07/97
RUN TIME: 19:48:31

KEY NUMBER	PART NUMBER	DESCRIPTION	QUANTITY
55	126373	WALKING BELT ASSEMBLY	1
.	.	122992 WALKING BELT	1
.	.	127860 NAIL	12
.	.	107187 REPLACEMENT INSTR.	1
56	NSP	FRAME	1
57	105956	HIGH DENSITY FOAM	2
58	105487	WALKING PLATFORM	1
59	040156	REAR LEG ENDCAP	2
60	013162	REAR LEG SCREW	2
61	105392	PLATFORM CLAMP BUSHING	6
62	105261	PLATFORM CLAMP	6
63	105475	SMALL BUSHING	6
64	013141	PLATFORM SCREW	8
65	104732	RIGHT ENDCAP	1
66	105444	REAR ROLLER ADJ. BOLT	2
67	010206	ROLLER GUARD	2
68	045010	ALLEN WRENCH	1
69	016028	TOOL CLAMP	1
70	105000	REAR ROLLER SPACER	2
71	105264	REAR ROLLER	1
72	104731	LEFT ENDCAP	1
73	107635	LEFT DECK RAIL	1
74	107090	MOTOR HOOD W/DECAL	1
.	.	104600 MOTOR HOOD	1
.	.	105646 MOTOR HOOD DECAL	1
75	105722	SIDE RAIL BOLT	1
76	105477	SIDE RAIL NUT	1
77	100498	MAGNET	1
78	105257	FRONT ROLLER INSERT	1
79	124434	SENSOR WIRE/REED SWITCH	1
80	101004	BELT	1
81	103855	J-BOLT	1
82	014041	TENSION WASHER	1
.	.	NON-ILLUSTRATED PARTS:	0
A	105388	UPRIGHT SPACER	1
B	105647	FRAME DECAL	2
C	105646	MOTOR HOOD DECAL	1
D	105697	OWNER'S MANUAL	1
.	105696	LITERATURE PACKET	1
.	.	105697 OWNER'S MANUAL	1
.	.	101508 PULSE EARCLIP	1
.	.	054013 CLOTHES CLIP	1
.	.	017088 LOCK KNOB	1
.	.	014156 LOCK KNOB WASHER	1
.	.	016028 WRENCH CLIP	1
.	.	045010 ALLEN WRENCH	1
.	.	105722 3" SIDERAIL BOLT	1
.	.	105477 SIDERAIL NUT	1
.	.	*--THIS IS AN ESTIMATED	0
.	.	COST!!!!!!	0