

DIRECTORY

PRODUCT NUMBER: PF66002
PRODUCT NAME: PROFORM 6.0 MXT

DATE: 10/15/92

* * * * *
CONTENTS REMARKS
* * * * *

GENERAL HISTORY

EXPLODED DIAGRAM * PF660020
PARTS LIST PF660020

HISTORY

PRODUCT NUMBER: PF66002

PRODUCT NAME: PROFORM 6.0 MXT

DESCRIPTION: 0-6 MPH, DC treadmill, R90 style frame, full cage, manual incline.

COLORS: PROFORM WHITE: Steel

PEWTER: Console, deck rails, motor hood, endcaps

BLACK: Foam grips

SHIPPING SPEC:

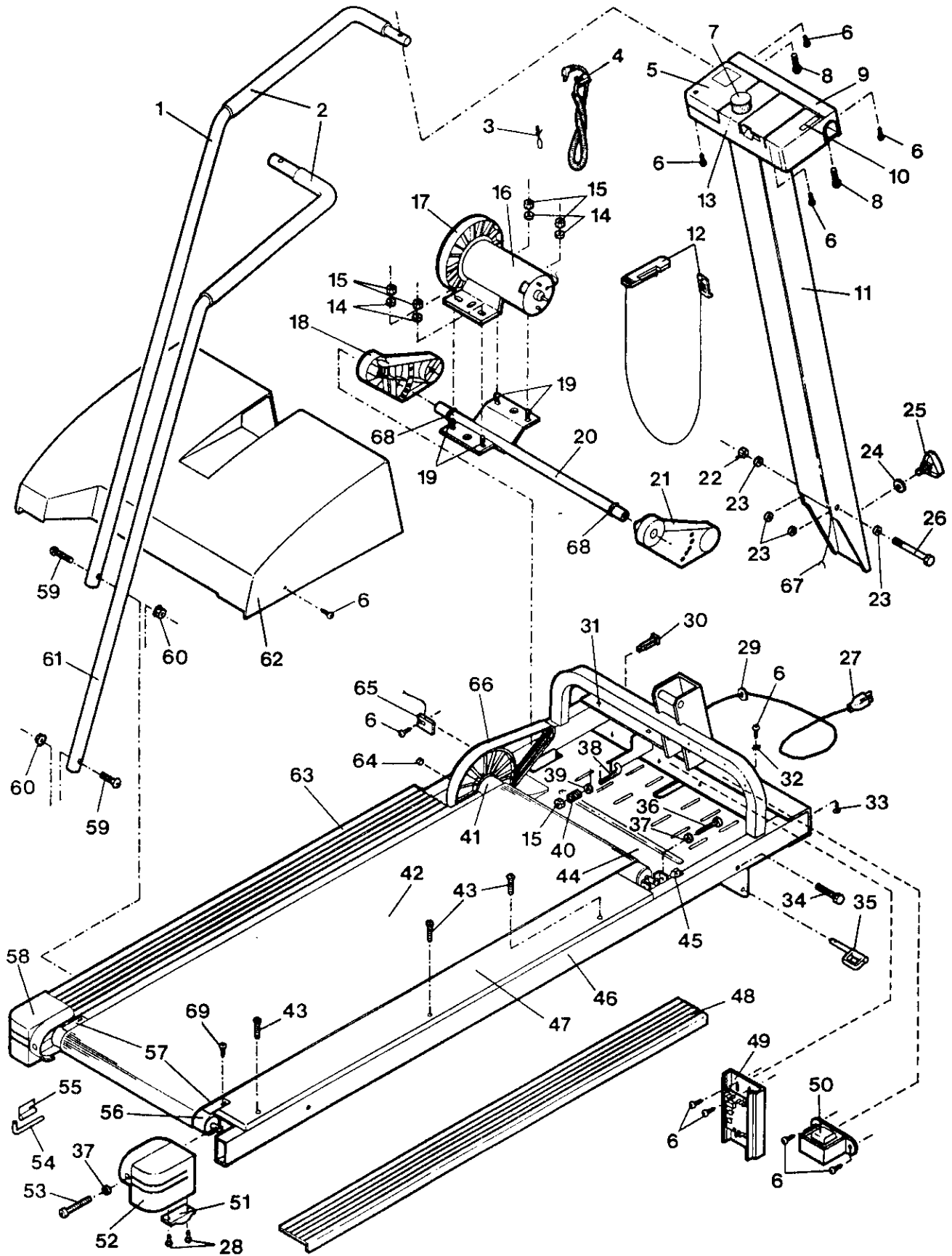
ASSEMBLED SPEC:

ELECTRONICS: Console #3 With ECT/EMT 50 Electronics

<u>MFG LOCATION</u>	<u>APPROX DATE BEGAN</u>	<u>APPROX DATE END</u>	<u>VERSION</u>
WESLO LOGAN	6/92		PF660020

EXPLODED DRAWING—Model No. PF660020

Rev. 6/92



MODEL NUMBER: PF66002
 VERSION: 00
 PRODUCT NAME: PF66002
 PRODUCT DESC:

MODEL/PART BOOK LISTING

PAGE 1
 INI023P1
 RUN DATE: 2/07/97
 RUN TIME: 19:48:47

KEY NUMBER	PART NUMBER	DESCRIPTION	QUANTITY
1	105538	LEFT SIDE RAIL W/FOAM	1
.	.	104651 LEFT SIDE RAIL	1
.	.	103423 FOAM GRIP	1
2	103423	SIDE RAIL FOAM GRIP	2
3	054013	CLOTHES CLIP	1
4	119946	PULSE/CLOTHES CLIP ASSY.	1
5	128682	ELECTRONIC MONITOR	1
6	108080	SCREW	14
7	104625	SPEED CONTROL KNOB	1
8	104634	SHORT SIDE RAIL BOLT, 1"	2
9	106664	CONSOLE ASSEMBLY	1
10	088015	INCLINE INDICATOR	1
11	104610	UPRIGHT POST	1
12	104627	SAFETY KEY/CLIP	1
13	031121	SPEED POTENTIOMETER ASSY.	1
14	101630	MOTOR MOUNT WASHER	4
15	012082	MOTOR MOUNT NUT	5
16	110242	MOTOR W/CONSUMER NOTICE	1
.	.	113271 MOTOR	1
.	.	102978 CN-INSTALL INST.	1
16A	109225	MOTOR/PULY/FLY/FAN ASSY.	1
.	.	113271 MOTOR	1
.	.	108277 PULY/FLWH/FAN ASSY	1
.	.	102978 CN-INSTALL INST.	1
17	108277	PULLEY/FLYWHEEL/FAN ASSY.	1
18	101753	LEFT INCLINE LEG	1
19	013445	MOTOR MOUNT BOLT	4
20	110244	MOTOR MOUNT SWIVEL W/CN	1
.	.	102087 MOTOR MOUNT SWIVEL	1
.	.	102978 CN-INSTALL INST.	1
21	101754	RIGHT INCLINE LEG	1
22	012081	PIVOT NUT	1
23	014079	FLAT WASHER	4
24	014156	LOCK KNOB WASHER	1
25	017088	LOCK KNOB	1
26	013368	PIVOT BOLT	1
27	031229	POWER CORD	1
28	013300	BUMPER SCREW	4
29	019084	GROMMET	1
30	109383	CIRCUIT BREAKER	1
31	016055	WIRE CLIP	3
32	014157	GROUND WASHER	1
33	104623	PLASTIC FASTENER	12
34	104624	SWIVEL SHAFT BOLT	2
35	100298	HITCH PIN	2
36	013275	FRONT ROLLER ADJ. BOLT	1
37	014127	ROLLER ADJUSTMENT WASHER	3
38	103855	J-BOLT	1
39	014041	TENSION WASHER	1
40	104514	TENSION SPRING	1
41	107873	FRONT ROLLER/PULLEY ASSY.	1
42	126432	WALKING BELT ASSEMBLY	1
.	.	124284 WALKING BELT	1
.	.	127860 NAIL	12

MODEL NUMBER: PF66002
 VERSION: 00
 PRODUCT NAME: PF66002
 PRODUCT DESC:

MODEL/PART BOOK LISTING

RUN DATE: 2/07/97
 RUN TIME: 19:48:47

KEY NUMBER	PART NUMBER	DESCRIPTION	QUANTITY
.	.	110237 REPLACEMENT INSTR.	1
43	100691	PLATFORM SCREW	6
44	104672	SAFETY COVER	1
45	008148	HOOD ANCHOR	4
46	NSP	FRAME	1
47	110253	WALKING PLATFORM W/CN	1
.	.	053025 WALKING PLATFORM	1
.	.	110252 CN-INSTALL INST.	1
48	107406	RIGHT DECK RAIL	1
49	129854	CONTROLLER W/CN	1
50	031238	CHOKE	1
51	005040	BUMPER	2
52	101362	RIGHT ROLLER BRACKET	1
53	105444	REAR ROLLER ADJ. BOLT	2
54	045010	ALLEN WRENCH	1
55	016028	TOOL CLAMP	1
56	110245	REAR ROLLER W/CN	1
.	.	070084 REAR ROLLER	1
.	.	103847 CN-INSTALL INST.	1
57	010206	ROLLER GUARD	2
58	101361	LEFT ROLLER BRACKET	1
59	105722	LONG SIDE RAIL BOLT, 3"	2
60	105477	SIDE RAIL NUT	2
61	108236	RIGHT SIDE RAIL W/FOAM	1
.	.	104653 RIGHT SIDE RAIL	1
.	.	103423 FOAM GRIP	1
62	111265	MOTOR HOOD W/DECAL *	1
.	.	100642 MOTOR HOOD	1
.	.	109147 MOTOR HOOD DECAL	1
63	107405	LEFT DECK RAIL	1
64	100498	MAGNET	1
65	115569	SENSOR WIRE/REED SWITCH	1
66	106939	BELT	1
67	031231	ON/OFF WIRE	1
68	016026	HOSE CLAMP	2
69	013162	ROLLER GUARD SCREW	2
.	.	NON-ILLUSTRATED PARTS:	0
#	127860	FASTENERS	12
#	033023	BATTERY (9 VOLT)	1
#	107088	BATTERY COVER (SNAP-ON)	1
#	109147	MOTOR HOOD DECAL	1
#	102718	MONITOR OPERATION GUIDE	1
#	109148	OWNER'S MANUAL	1
.	109149	LITERATURE PACKET	1
.	.	109148 OWNER'S MANUAL	1
.	.	102718 MON. OPER. GUIDE	1
.	.	101508 PULSE EARCLIP	1
.	.	054013 CLOTHES CLIP	1
.	.	017088 LOCK KNOB	1
.	.	014156 LOCK KNOB WASHER	1
.	.	070307 SILICONE	1
.	.	105605 HARDWARE KIT	1
.	.	016028 TOOL CLAMP	1
.	.	045010 ALLEN WRENCH	1

MODEL NUMBER: PF66002
VERSION: 00
PRODUCT NAME: PF66002
PRODUCT DESC:

MODEL/PART BOOK LISTING

PAGE 3
INI023P1
RUN DATE: 2/07/97
RUN TIME: 19:48:47

KEY NUMBER	PART NUMBER	DESCRIPTION	QUANTITY
.	.	105722 3" SIDERAIL BOLT	2
.	.	104634 1" SIDERAIL BOLT	2
.	.	105477 SIDERAIL NUT	2
.	.	*--THIS IS AN ESTIMATED	0
.	.	COST!!!!!!	0