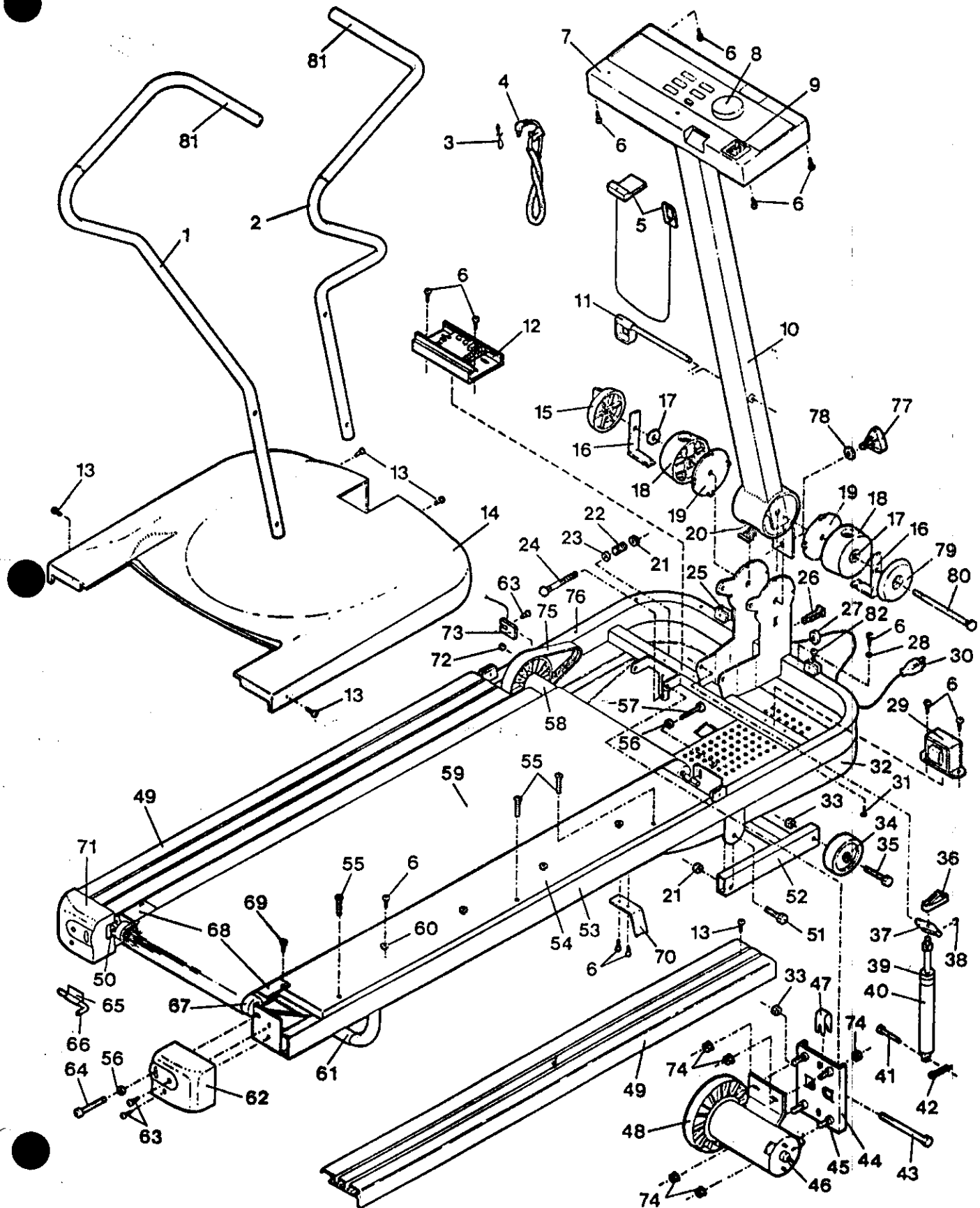


EXPLODED DRAWING—Model No. PF705021

Rev. 11/92



MODEL NUMBER: PF70502
 VERSION: 01
 PRODUCT NAME: PROFORM CROSSWALK
 PRODUCT DESC:

MODEL/PART BOOK LISTING

PAGE 1
 INI023P1
 RUN DATE: 3/10/97
 RUN TIME: 16:25:11

KEY NUMBER	PART NUMBER	DESCRIPTION	QUANTITY
.	.	**SEND EUROPEAN UPDATE**	0
.	.	PROFORM CROSSWALK	0
1	110824	LT UPPER BODY ARM ASSY.	1
.	.	111826 LT UPPER BODY ARM	1
.	.	112023 FOAM GRIP	1
.	.	110823 ARM HOUSING ASSY.	1
2	110825	RT UPPER BODY ARM ASSY.	1
.	.	111828 RT UPPER BODY ARM	1
.	.	112023 FOAM GRIP	1
.	.	110823 ARM HOUSING ASSY.	1
3	054013	CLOTHES CLIP	1
4	119946	PULSE/CLOTHES CLIP ASSY.	1
5	106337	SAFETY KEY/CLIP	1
6	108080	SCREW	21
7	110254	CONSOLE ASSEMBLY	1
8	110000	SPEED CONTROL KNOB	1
9	109791	INCLINE LEVER/BEZEL W/CN	1
.	.	088003 INCL. LEVER/BEZEL	1
.	.	125151 FASTENER	1
.	.	109783 CN-INSTALL INST.	1
10	112717	UPRIGHT POST ASSEMBLY *	1
11	124008	LOCK PIN	1
12	129854	CONTROLLER W/CN	1
13	108404	HOOD/DECK RAIL SCREW	6
14	110810	MOTOR HOOD W/DECAL	1
.	.	110083 MOTOR HOOD	1
.	.	110081 MOTOR HOOD DECAL	1
.	.	110082 WIRE DIAGRAM DECAL	1
15	109511	RESISTANCE CONTROL	1
16	110193	FRICITION BRACKET	2
17	110147	FLAT WASHER	2
18	110823	ARM HOUSING ASSEMBLY	2
.	.	112300 FRICTION CUP	1
.	.	112348 FRICTION PAD	1
.	.	112013 PLUG	1
19	112286	FRICTION PLATE	2
20	112012	INCLINE CABLE	1
21	012082	NUT	3
22	104514	TENSION SPRING	1
23	014041	TENSION WASHER	1
24	103855	CARRIAGE BOLT	1
25	109095	HOOD BRACKET	4
26	109382	CIRCUIT BREAKER	1
27	019084	GROMMET	1
28	014157	GROUND WASHER	1
29	031238	CHOKE	1
30	031229	POWER CORD	1
31	013282	MOTOR PAN SCREW	8
32	123712	SAFETY COVER	1
33	012108	LOCK NUT	3
34	052014	FRONT WHEEL	2
35	103045	WHEEL BOLT	2
36	088004	SHOCK RELEASE	1
37	008149	SHOCK BRACKET	1

MODEL NUMBER: PF70502
VERSION: 01
PRODUCT NAME: PROFORM CROSSWALK
PRODUCT DESC:

MODEL/PART BOOK LISTING

PAGE 2
INI023P1
RUN DATE: 13/10/97
RUN TIME: 16:25:11

KEY NUMBER	PART NUMBER	DESCRIPTION	QUANTITY
38	054016	E-CLIP	1
39	059019	SHOCK CUSHION	1
40	109792	INCLINE SHOCK W/CN	1
.	.	112582 INCLINE SHOCK	1
.	.	109785 CN-INSTALL INST.	1
41	101639	SHOCK PIN	1
42	106334	COTTER PIN	1
43	101263	MOTOR PIVOT BOLT	1
44	110589	MOTOR MOUNT PLATE W/CN	1
.	.	109242 MOTOR MOUNT PLATE	1
.	.	110587 CN-INSTALL INST.	1
45	108473	MOTOR MOUNT ISOLATOR	4
46	110286	MOTOR ASSEMBLY	1
.	.	124183 MOTOR	1
.	.	122470 CN-MOTOR CHANGE	1
.	.	116878 HARDWARE KIT	1
.	.	110285 CN-INSTALL INST.	1
46A	110674	MOTOR/PULY/FLY/FAN ASSY.	1
.	.	124183 MOTOR	1
.	.	108276 PULLEY/FLY/FAN ASY	1
.	.	110285 CN-INSTALL INST.	1
.	.	122470 CN-MOTOR CHANGE	1
.	.	116878 HARDWARE KIT	1
47	108474	MOTOR GROUND STRAP	1
48	108276	PULY/FLYWHEEL/FAN ASSY.	1
49	112554	DECK RAIL	2
50	105000	ROLLER SPACER	2
51	013293	INCLINE LEG BOLT	2
52	109941	INCLINE LEG	1
53	NSP	FRAME	1
54	110822	WALKING PLATFORM W/CN	1
.	.	109964 WALKING PLATFORM	1
.	.	110583 CN-INSTALL INST.	1
55	100691	PLATFORM SCREW	6
56	014127	ROLLER ADJ. WASHER	3
57	013275	FRONT ROLLER ADJ. BOLT	1
58	117273	FRONT ROLLER/SLV/PULY ASY	1
59	126430	WALKING BELT ASSEMBLY	1
.	.	124299 WALKING BELT	1
.	.	127860 NAIL	12
.	.	110585 REPLACEMENT INSTR.	1
60	109278	DECK RAIL FASTENER	8
61	110407	REAR LEG PAD	1
62	110003	RIGHT ENDCAP	1
63	013300	ENDCAP SCREW	5
64	105444	REAR ROLLER ADJ. BOLT	2
65	016028	TOOL CLAMP	1
66	045010	ALLEN WRENCH	1
67	110245	REAR ROLLER W/CN	1
.	.	070084 REAR ROLLER	1
.	.	103847 CN-INSTALL INST.	1
68	010206	ROLLER GUARD	2
69	013162	GUARD SCREW	2
70	109265	BELT GUIDE	2

MODEL NUMBER: PF70502
VERSION: 01
PRODUCT NAME: PROFORM CROSSWALK
PRODUCT DESC:

MODEL/PART BOOK LISTING

PAGE 3
INI023P1
RUN DATE: 3/10/97
RUN TIME: 16:25:11

KEY NUMBER	PART NUMBER	DESCRIPTION	QUANTITY
71	110002	LEFT ENDCAP	1
72	100498	SENSOR MAGNET	1
73	115569	REED SWITCH/SENSOR WIRE	1
74	105477	MOTOR NUT	8
75	106939	BELT	1
76	016055	WIRE CLIP	6
77	017088	LOCK KNOB	1
78	014156	LOCK KNOB WASHER	1
79	109517	FRICTION COVER	1
80	109515	PIVOT BOLT	1
81	112023	UPPER BODY ARM FOAM GRIP	2
82	101049	HOOD BRACKET SCREW	4
.	.	NON-ILLUSTRATED PARTS:	0
#	129418	POTENTIOMETER	1
#	NLA	BATTERY (1.5 VOLT)	2
#	110402	BATTERY COVER (SNAP-ON)	1
#	111869	UPRIGHT LOCKING NUT	1
#	111114	HANBLEBAR PIN RETAINER	1
#	110196	FRAME DECAL	2
#	110081	MOTOR HOOD DECAL	1
#	110082	WIRE DIAGRAM DECAL	1
#	111906	OWNER'S MANUAL	1
.	112612	LITERATURE PACKET	1
.	.	111906 OWNER'S MANUAL	1
.	.	112589 PULSE EARCLIP	1
.	.	017088 LOCK KNOB	1
.	.	014156 LOCK KNOB WASHER	1
.	.	070307 SILICONE	1
.	.	016028 TOOL CLAMP	1
.	.	045010 ALLEN WRENCH	1
.	.	*--THIS IS AN ESTIMATED	0
.	.	COST!!!!!!	0