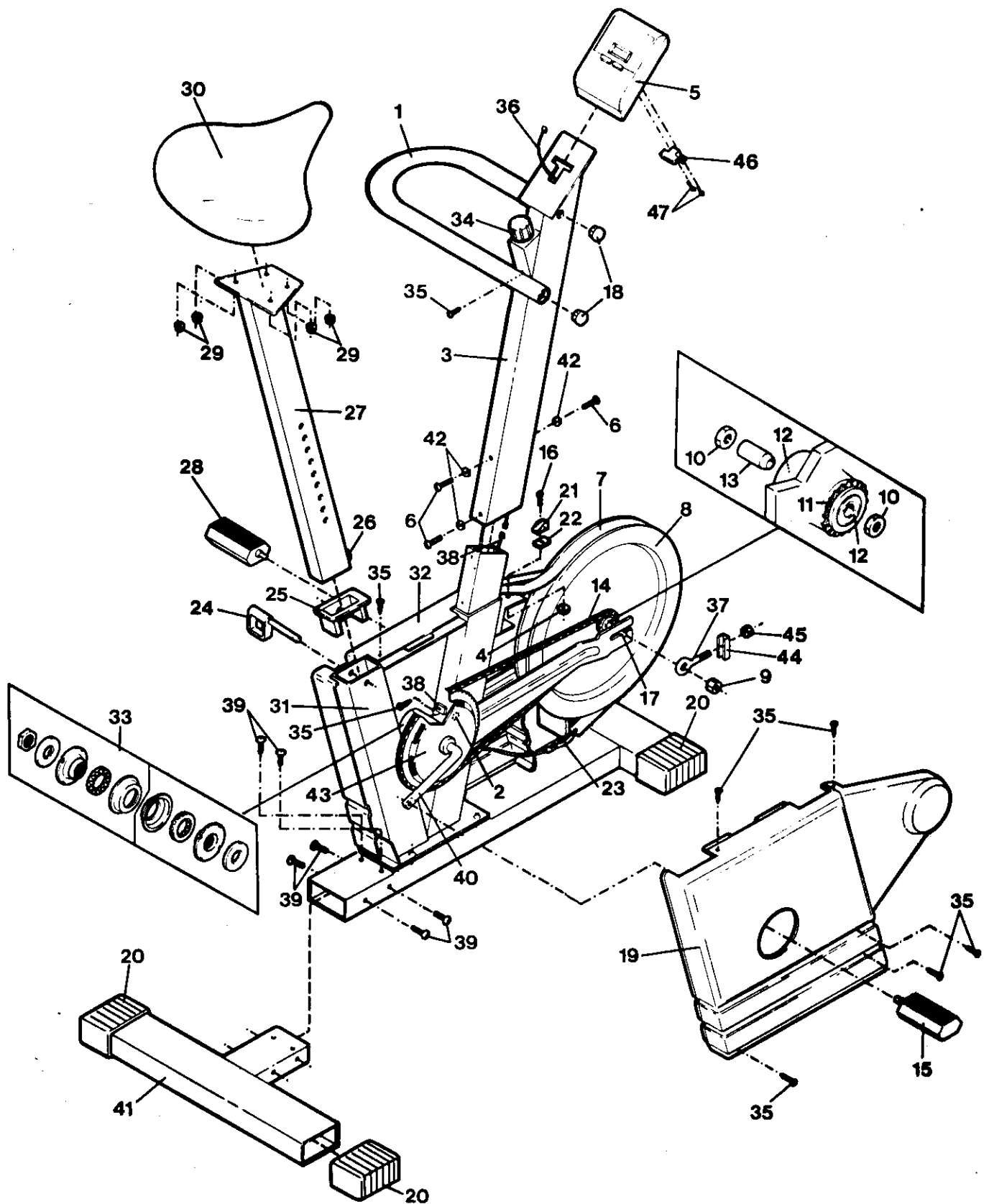


EXPLODED DRAWING—Model No. PF740030

Rev. 1/94



MODEL NUMBER: PF74003
 VERSION: 00
 PRODUCT NAME: PROFORM 740
 PRODUCT DESC:

MODEL/PART BOOK LISTING

PAGE 1

INI1023P1

RUN DATE: 4/07/95

RUN TIME: 9:51:02

KEY NUMBER	PART NUMBER	DESCRIPTION	QUANTITY
1	102541	FOAM GRIP	1
2	100498	MAGNET	1
3	114951	HANDLEBAR POST ASSEMBLY	1
.	.	113041 HANDLEBAR POST	1
.	.	102541 FOAM GRIP	1
.	.	103343 HANDLEBAR ENDCAP	2
4	012107	TENSION BUCKLE NUT	1
5	117715	ELECTRONIC MONITOR ASSY.	1
6	121501	HANDLEBAR POST BOLT	3
7	113051	RESISTANCE STRAP	1
8	116613	FLYWHEEL *	1
9	012032	3/8" AXLE NUT	2
10	012031	3/8" THIN AXLE NUT	2
11	024007	FREEWHEEL SPROCKET	1
12	102356	FLYWHEEL BEARING	2
13	019341	AXLE SPACER	1
14	025075	CHAIN	1
15	038033	RIGHT PEDAL	1
16	113528	TENSION BUCKLE SCREW	1
17	049111	AXLE	1
18	103343	HANDLEBAR ENDCAP	2
19	116999	RIGHT SIDESHIELD ASSY *	1
.	.	117108 RIGHT SIDESHIELD	1
.	.	113165 SIDESHIELD DECAL	1
20	115652	BASE ENDCAP	4
21	050001	TENSION BUCKLE	1
22	114606	TENSION BUCKLE SPACER	1
23	102037	SPRING ASSEMBLY	1
24	015076	SEAT PIN	1
25	019343	SEAT POST BUSHING	1
26	100127	SEAT POST GLIDE	1
27	113107	SEAT POST	1
28	038032	LEFT PEDAL	1
29	012096	HEX NUT	4
30	105022	SEAT	1
31	NSP	FRAME	1
32	116998	LEFT SIDESHIELD ASSY *	1
.	.	117107 LEFT SIDESHIELD	1
.	.	113165 SIDESHIELD DECAL	1
33	110465	CRANK/SPROCKET ASSEMBLY	1
34	113040	RESISTANCE KNOB ASSEMBLY	1
35	013141	SELF-TAPPING SCREW	12
36	033217	UPPER SENSOR WIRE	1
37	104928	CHAIN ADJUSTMENT BOLT ASY	2
38	033218	LOWER SENSOR WIRE	1
39	100411	BASE SCREW	6
40	117277	CRANK	1
41	113105	STABILIZER	1
42	014062	LOCK WASHER	3
43	117150	SPROCKET	1
44	100128	BRACKET	2
45	012006	ADJUSTMENT NUT	2
46	113502	CONSOLE BRACKET	1
47	115143	BRACKET SCREW	2

MODEL NUMBER: PF74003
VERSION: 00
PRODUCT NAME: PROFORM 740
PRODUCT DESC:

MODEL/PART BOOK LISTING

PAGE 2
INI023P1
RUN DATE: 4/07/95
RUN TIME: 9:51:02

KEY NUMBER	PART NUMBER	DESCRIPTION	QUANTITY
.	.	NON-ILLUSTRATED PARTS	0
A	113165	SIDESHIELD DECAL *	2
B	033021	BATTERY (AA)	2
C	106167	BATTERY COVER	1
D	045008	ALLEN WRENCH	1
E	114949	OWNER'S MANUAL *	1
#	.	***THESE ARE ESTIMATED	0
#	.	QUANTITIES	0
.	117097	HARDWARE KIT	1
.	.	100411 BASE SCREW	6
.	.	013141 SCREW	12
.	.	103343 HANDLEBAR ENDCAP	2
.	.	113528 TENSION BCKL SCREW	1
.	.	012006 ADJUSTMENT NUT	2
.	.	121501 HD POST BOLT	3
.	.	012107 TENSION BUCKLE NUT	1
.	.	114606 TENSION BCKL SPGR	1
.	.	045008 ALLEN WRENCH	1