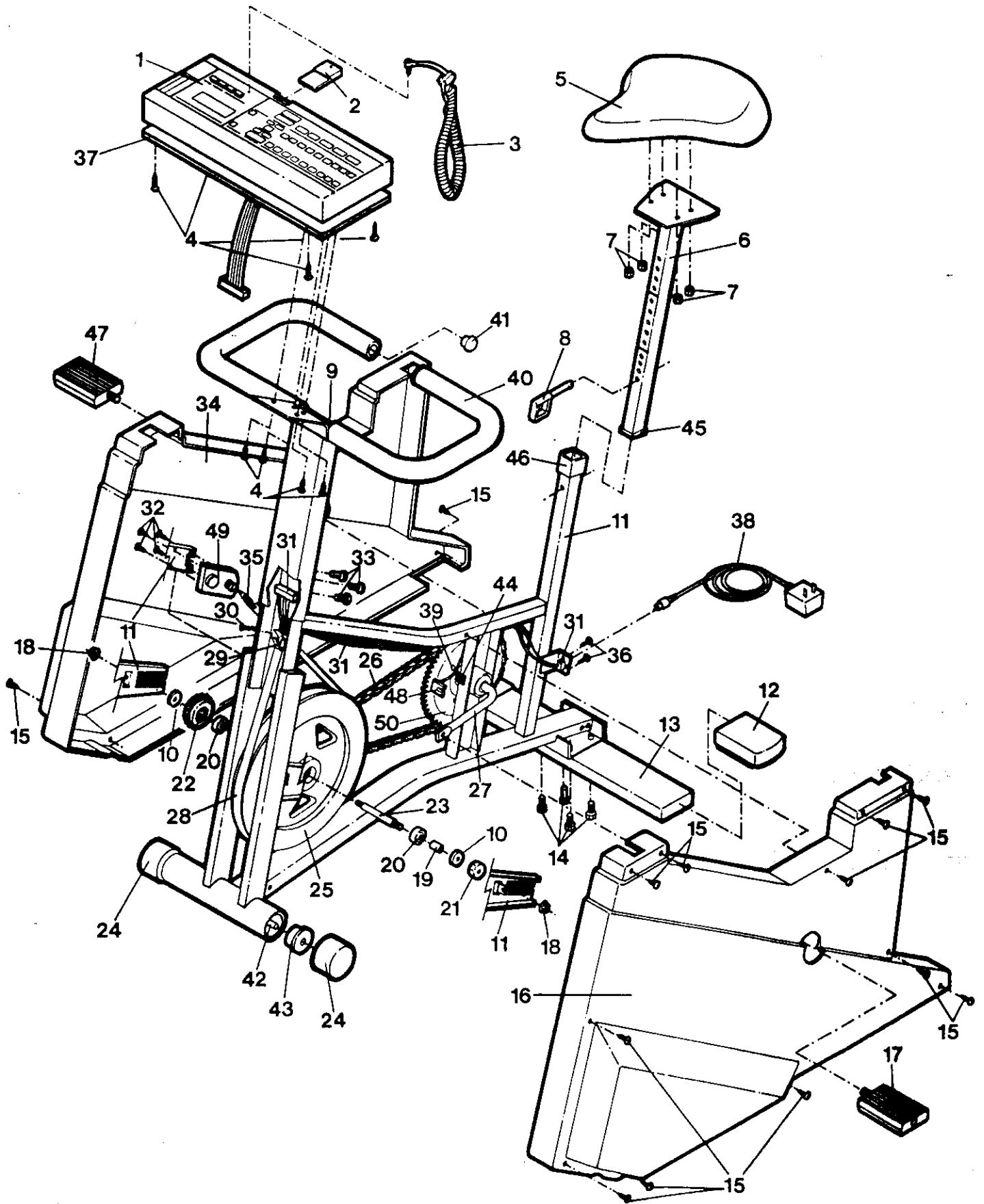


EXPLODED DRAWING—Model No. PF754030

Rev. 3/93



MODEL NUMBER: PF75403
 VERSION: 00
 PRODUCT NAME: PROFORM 754
 PRODUCT DESC: BIKE

MODEL/PART BOOK LISTING

PAGE 1
 INI023P1
 RUN DATE: 3/10/97
 RUN TIME: 16:26:15

KEY NUMBER	PART NUMBER	DESCRIPTION	QUANTITY
		PROFORM 754 BIKE	0
1	106059	CONSOLE	1
2	100933	POWER KEY/CLIP	1
3	119946	PULSE/CLOTHES CLIP ASSY.	1
4	013322	3/4" PHILLIPS SCREW	8
5	105022	SEAT	1
6	112668	SEAT POST	1
7	012006	SEAT NUT	4
8	015073	SEAT PIN	1
9	112960	HANDLEBAR ASSEMBLY *	1
	.	112666 HANDLEBAR	1
	.	112013 ENDCAP	2
	.	104774 FOAM GRIP	2
10	014087	WASHER	2
11	NSP	FRAME	1
12	105590	STABILIZER ENDCAP	2
13	112675	STABILIZER	1
14	013469	1 1/4" HEX HEAD BOLT	4
15	013322	SIDE SHIELD SCREW	14
16	.	LT SIDESHIELD, SEE KEY#34	1
17	038032	LEFT PEDAL	1
18	104806	FLANGE NUT	2
19	019300	SPACER	1
20	102356	BEARING	2
21	106732	NUT	1
22	024001	FLYWHEEL SPROCKET	1
23	104805	FLYWHEEL AXLE	1
24	106697	WHEEL	2
25	NLA	FLYWHEEL	1
26	104803	CHAIN	1
27	104800	CRANK	1
28	101929	RESISTANCE STRAP	1
29	050001	TENSION BUCKLE	1
30	013162	TENSION BUCKLE SCREW	1
31	106133	MAIN WIRE HARNESS ASSY.	1
32	101049	MOTOR MOUNTING SCREW	2
33	013484	5/16" ALLEN HEAD SCREW	3
34	112962	R/L SIDESHIELD W/DECALS	1
35	102037	TENSION SPRING ASSEMBLY	1
36	013516	POWER PLUG SCREW	2
37	112667	CONSOLE PLATE	1
38	104216	POWER CORD	1
39	100498	MAGNET	1
40	104774	FOAM GRIP	2
41	112013	HANDLEBAR ENDCAP	1
42	106698	ROLLER AXLE	1
43	106880	ROLLER BUSHING	2
44	062035	REED SWITCH FASTENER	1
45	104787	SEAT POST SLEEVE	1
46	104786	SEAT POST BUSHING	1
47	038033	RIGHT PEDAL	1
48	106115	REED SWITCH/SENSOR WIRE	1
49	NLA	TENSION MOTOR ASSEMBLY	1
50	104801	SPROCKET	1

MODEL NUMBER: PF75403
 VERSION: 00
 PRODUCT NAME: PROFORM 754
 PRODUCT DESC: BIKE

MODEL/PART BOOK LISTING

PAGE 2
 INT023P1
 RUN DATE: 3/10/77
 RUN TIME: 16:26:15

KEY NUMBER	PART NUMBER	DESCRIPTION	QUANTITY
.	.	NON-ILLUSTRATED PARTS:	0
A	110465	CRANK HARDWARE ASSEMBLY	1
.	.	018001 BEARING	2
.	.	019003 BEARING CUP	2
.	.	014008 FLAT WASHER	1
.	.	014009 KEYED WASHER	1
.	.	012010 NUT W/2 SLOTS	1
.	.	012011 NUT W/3 SLOTS	1
.	.	012012 HEX NUT	1
.	.	106881 CONSUMER NOTICE	1
B	112662	LEFT SIDE SHIELD DECAL	1
C	112752	RIGHT SIDE SHIELD DECAL	1
D	112673	OWNER'S MANUAL	1
.	112674	LITERATURE PACKET	1
.	.	112673 OWNER'S MANUAL	1
.	.	101508 PULSE EARCLIP	1
.	106897	HARDWARE KIT	1
.	.	013484 ALLEN HEAD SCREW	3
.	.	045010 ALLEN WRENCH	1
.	.	013469 HEX HEAD BOLT	4
.	.	013322 PHILLIPS SCREW	4
.	.	*--THESE ARE ESTIMATED	0
.	.	COSTS!!!!	0