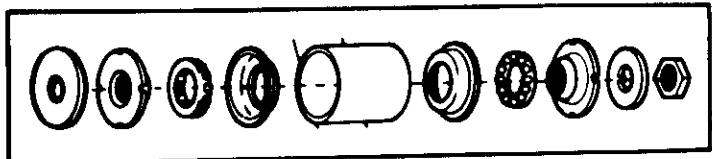
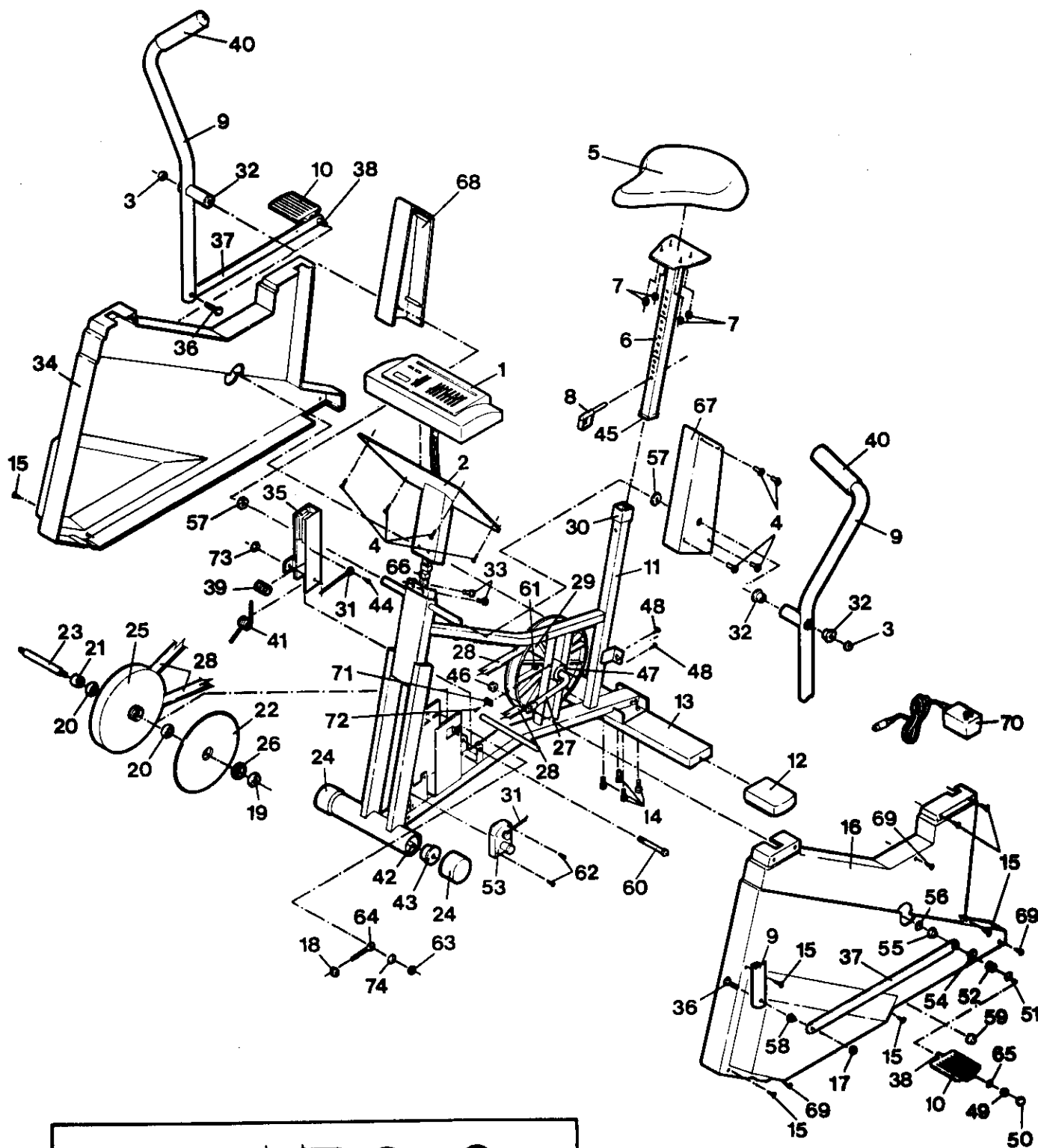


EXPLODED DRAWING—Model No. PF760030

Rev. 10/93



CRANK ASSEMBLY (47)

MODEL NUMBER: PF76003
 VERSION: 00
 PRODUCT NAME: PROFORM 760
 PRODUCT DESC:

MODEL/PART BOOK LISTING

PAGE 1
 IN1023P1

RUN DATE: 2/16/96
 RUN TIME: 11:47:12

KEY NUMBER	PART NUMBER	DESCRIPTION	QUANTITY
		SEND EUROPEAN UPDATE	0
		PROFORM 760 BIKE	0
1	115773	CONSOLE W/CN	1
.	.	113702 CONSOLE	1
.	.	115772 REPLACEMENT INSTR.	1
2	113823	CONSOLE MOUNT *	1
3	100151	5/8" PLASTIC AXLECAP	2
4	104626	3/4" PHILLIPS SCREW	8
5	105022	SEAT	1
6	112668	SEAT POST	1
7	012096	1/4" SEAT NUT	4
8	015073	SEAT PIN	1
9	115774	HANDLEBAR ASSEMBLY *	2
.	.	113835 HANDLEBAR	1
.	.	105500 FOAM GRIP	1
.	.	100151 AXLECAP	1
.	.	108667 BUSHING	2
.	.	111374 CN-AXLECAP REPLCM	1
10	112701	PEDAL	2
10A	112778	PEDAL ASSEMBLY	2
11	NSP	FRAME	1
12	105590	ENDCAP	2
13	112675	REAR STABILIZER	1
14	013469	5/16" X 1 1/4" BOLT	4
15	013294	#8 X 1" SCREW	8
16	116275	LEFT SIDE SHIELD W/DECAL	1
.	.	113804 LEFT SIDESHIELD	1
.	.	113874 LT SDSHLD DECAL	1
17	012082	5/16" NUT	2
18	104806	3/8" FLANGE NUT	2
19	113788	SMALL SPACER	1
20	113834	BEARING	2
21	113789	LARGE SPACER	1
22	113786	RESISTANCE DISK	1
23	113791	FLYWHEEL AXLE	1
24	106697	WHEEL	2
25	113954	FLYWHEEL *	1
26	109346	LOCK NUT	1
27	101115	CRANK	1
28	113783	TENSION BELT	1
29	115777	TENSION PULLEY	1
30	104786	SEAT POST BUSHING	1
31	114113	TENSION ROPE *	1
32	108667	HANDLEBAR BUSHING	4
33	013484	5/16" X 1/2" SCREW	2
34	116276	RIGHT SIDE SHIELD W/DECAL	1
.	.	113805 RIGHT SIDESHIELD	1
.	.	113885 RT SDSHLD DECAL	1
35	113792	TENSION BRACKET	1
36	013250	5/16" X 1 3/4" BOLT	2
37	113881	LINK ARM *	2
38	112779	PEDAL AXLE	2
39	113781	SMALL SPRING	1
40	105500	FOAM GRIP	2

MODEL NUMBER: PF76000
 VERSION: 00
 PRODUCT NAME: PROFORM 760
 PRODUCT DESC:

MODEL/PART BOOK LISTING

PAGE 2
 INI023P1
 RUN DATE: 2/16/96
 RUN TIME: 11:47:12

KEY NUMBER	PART NUMBER	DESCRIPTION	QUANTITY
41	109571	LARGE SPRING	1
42	106698	WHEEL AXLE	1
43	106880	WHEEL BUSHING	2
44	013423	#8 X 1/2" SCREW	1
45	104787	SEAT POST SLEEVE	1
46	100904	NYLOCK NUT	2
47	110465	CRANK HARDWARE ASSEMBLY	1
48	103860	#4 X 1/2" SCREW	2
49	012146	5/16" PEDAL NUT	2
50	112704	PEDAL ENDCAP	2
51	101459	11/16" SPRING WASHER	2
52	103571	PEDAL SPRING	2
53	115778	TENSION MOTOR ASSEMBLY *	1
54	101460	11/16" WASHER	2
55	101036	PEDAL BUSHING	2
56	101494	9/16" WASHER	2
57	108668	5/8" SPACER	2
58	100364	LINK ARM BUSHING	2
59	101768	LOCK ROD AXLECAP	2
60	104925	TENSION BRACKET BOLT	1
61	100498	MAGNET	1
62	101049	3/16" X 1/2" SCREW	2
63	012082	5/16" NUT	2
64	104536	EYE BOLT	2
65	014041	5/16" WASHER	2
66	113802	WIRE HARNESS	1
67	113807	LEFT NECK COVER	1
68	113806	RIGHT NECK COVER	1
69	107428	3/4" SCREW	7
70	101067	POWER CORD	1
71	100335	REED SWITCH/SENSOR WIRE	1
72	013300	3/4" SELF-TAPPING SCREW	1
73	012108	3/8" NYLOCK NUT	1
74	014073	5/16" FLAT WASHER	2
75	109233	SPACER	2
.	.	NON-ILLUSTRATED PARTS:	0
#	045028	SCREWDRIVER/WRENCH	1
#	101324	SOCKET TOOL	1
#	045010	ALLEN WRENCH	1
#	016055	M-CLIP	4
#	113885	RIGHT SIDESHIELD DECAL	1
#	113874	LEFT SIDESHIELD DECAL	1
#	033021	BATTERY	2
#	119466	HANDLEBAR SPACER	2
#	113847	OWNER'S MANUAL	1
#	113846	LITERATURE PACKET	1
.	.	113847 OWNER' MANUAL	1
.	.	113775 HARDWARE KIT	1
.	.	013484 1/2" SCREW	2
.	.	013466 1 1/4" SCREW	4
.	.	100151 AXLECAP	2
.	.	108668 5/8" SPACER	2
.	.	104626 3/4" SCREW	4
.	.	012056 HEX NUT	2

MODEL NUMBER: PF76003
VERSION: 00
PRODUCT NAME: PROFORM 760
PRODUCT DESC:

MODEL/PART BOOK LISTING

PAGE 3
IN1023P1
RUN DATE: 2/16/86
RUN TIME: 11:02

KEY NUMBER	PART NUMBER	DESCRIPTION	QUANTITY
.		013250 1 3/4" SCREW	2
.		100364 BUSHING	2
.		045010 ALLEN WRENCH	1
.		045028 SOCKET TUBE	1
.		101324 PH DRIVER/WRENCH	1
.		119466 HANDLEBAR SPACER	2