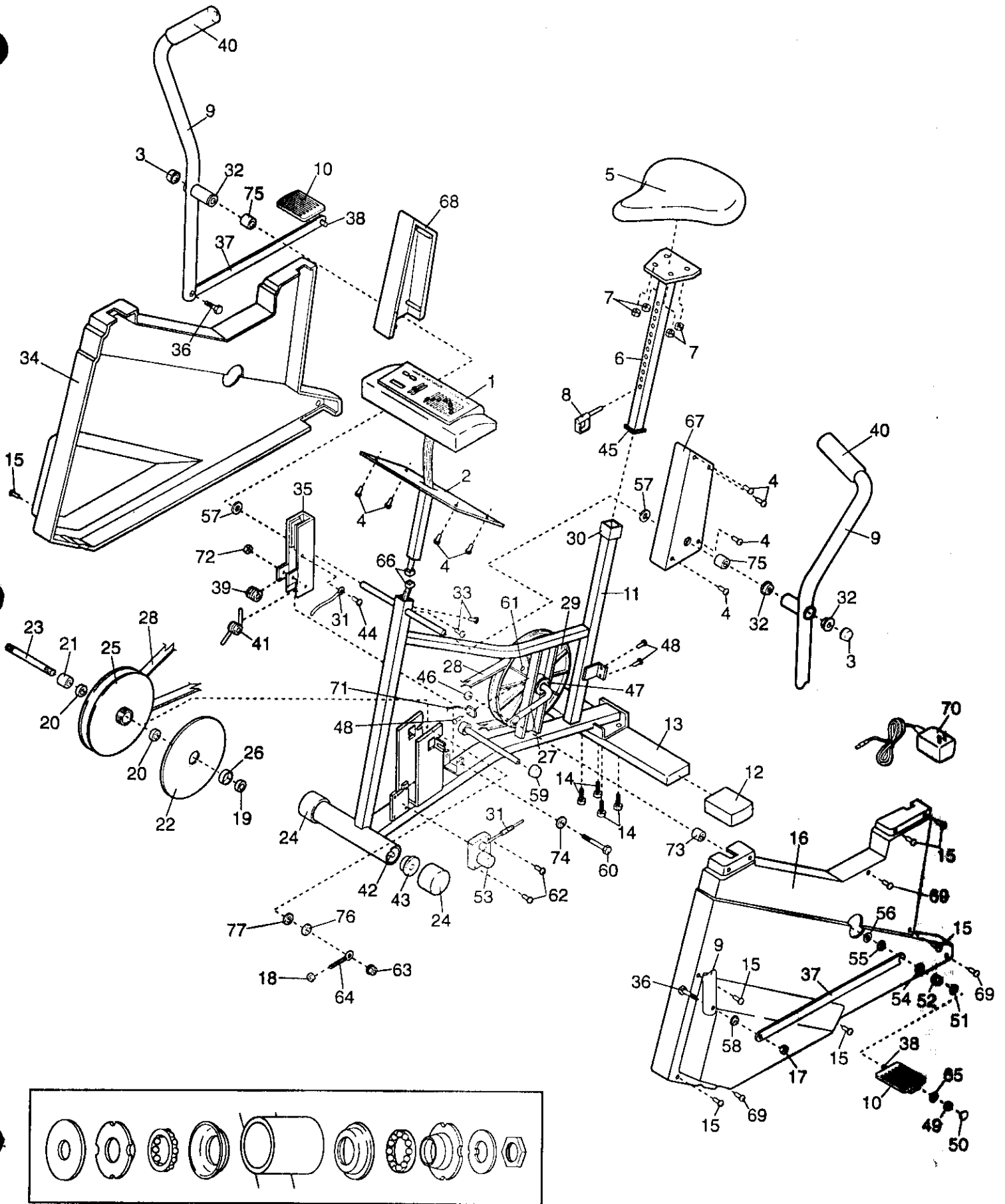


EXPLODED DRAWING—Model No. PF760035

R0135A



MODEL NUMBER: PF76003
 VERSION: 05
 PRODUCT NAME: PROFORM 760
 PRODUCT DESC:

MODEL/PART BOOK LISTING

PAGE 1
 INI023P1
 RUN DATE: 3/11/97
 RUN TIME: 8:25:14

KEY NUMBER	PART NUMBER	DESCRIPTION	QUANTITY
.	.	**SEND EUROPEAN UPDATE**	0
.	.	PROFORM 760 BIKE	0
1	123213	CONSOLE W/RI *	1
.	.	118731 CONSOLE	1
.	.	123040 REPLACEMENT INSTR.	1
2	123803	TOP UPRIGHT	1
3	100151	5/8" PLASTIC AXLECAP	2
4	013300	3/4" SCREW	4
5	105022	SEAT	1
6	116605	SEAT POST	1
7	012096	1/4" SEAT NUT	4
8	122946	SEAT PIN	1
9	117009	HANDLEBAR	2
10	112701	PEDAL	2
10A	112778	PEDAL ASSEMBLY	2
11	NSP	FRAME	1
12	105590	ENDCAP	2
13	123489	STABILIZER	1
14	013469	5/16" X 1.25" BOLT	2
15	013294	#8 X 1" SCREW	8
16	122374	LEFT SIDESHIELD W/DECAL	1
.	.	120267 LEFT SIDESHIELD	1
.	.	118729 LEFT DECAL	1
17	012082	5/16" NUT	2
18	012090	1/4" NYLOCK NUT	2
19	113788	SMALL SPACER	1
20	113834	BEARING	2
21	113789	LARGE SPACER	1
22	119198	RESISTANCE DISK	1
23	113791	FLYWHEEL AXLE	1
24	106697	ROLLER	2
25	120135	FLYWHEEL	1
26	119200	LOCK RING	1
27	122870	CRANK	1
28	119199	TENSION BELT	1
29	123038	TENSION PULLEY W/MAGNET *	1
.	.	122898 TENSION PULLEY	1
.	.	100498 MAGNET	1
30	104786	SEAT POST BUSHING	1
31	114113	TENSION ROPE	1
32	108667	HANDLEBAR BUSHING	4
33	103025	1/4" X 1/2" SCREW	2
34	122375	RIGHT SIDESHIELD W/DECAL	1
.	.	120268 RIGHT SIDESHIELD	1
.	.	118730 RIGHT DECAL	1
35	125031	TENSION BRACKET	1
36	013250	5/16" X 1.75" BOLT	2
37	127799	LINK ARM W/BUSHING	2
38	112779	PEDAL SHAFT	2
39	100076	SMALL SPRING	1
40	105500	FOAM GRIP	2
41	113781	LARGE SPRING	1
42	106698	ROLLER AXLE	1
43	106880	ROLLER BUSHING	2

MODEL NUMBER: PF76003
 VERSION: 05
 PRODUCT NAME: PROFORM 760
 PRODUCT DESC:

MODEL/PART BOOK LISTING

PAGE 2
 INI023P1
 RUN DATE: 1/11/97
 RUN TIME: 8:25:14

KEY NUMBER	PART NUMBER	DESCRIPTION	QUANTITY
44	013423	#8 X 1/2" SCREW	1
45	104787	SEAT POST GLIDE	1
46	100904	1/2" NYLOCK NUT	2
47	110465	CRANK HARDWARE	1
48	013162	#8 X 1/2" SCREW	3
49	012146	5/16" PEDAL NUT	2
50	112704	PEDAL CAP	2
51	101459	11/16" SPRING WASHER	2
52	103571	PEDAL SPRING	2
53	115778	TENSION MOTOR	1
54	101460	11/16" WASHER	2
55	101036	PEDAL BUSHING	2
56	101494	9/16" WASHER	2
57	108668	5/8" SPACER	2
58	100364	LINK ARM BUSHING	2
59	101768	3/8" AXLECAP	2
60	104925	TENSION BRACKET BOLT	1
61	100498	MAGNET	1
62	101049	3/16" X 1/2" SCREW	2
63	012082	5/16" FLANGE NUT	2
64	104536	EYEBOLT	2
65	014041	5/16" FLAT WASHER	4
66	118732	WIRE HARNESS	1
67	113833	LEFT NECK SHIELD	1
68	113832	RIGHT NECK SHIELD	1
69	107428	3/4" TEC SCREW	7
70	101067	POWER CORD	1
71	106115	REED SWITCH/SENSOR WIRE	1
72	012108	3/8" NYLOCK NUT	1
73	109233	9/16" PEDAL SPACER	2
74	106832	FLAT WASHER	1
75	119466	HANDLEBAR SPACER	2
76	014132	3/8" FLAT WASHER	2
77	014117	3/8" STAR WASHER	2
.	.	NON-ILLUSTRATED PARTS	0
#	123794	NUT-SERTS	2
#	101324	SCREWDRIVER/WRENCH	1
#	045028	SOCKET TOOL	1
#	045010	ALLEN WRENCH	1
#	016055	M-CLIP	4
#	119466	HANDLEBAR SPACER	2
#	118729	LEFT SIDESHIELD DECAL	1
#	118730	RIGHT SIDESHIELD DECAL	1
#	123279	OWNER'S MANUAL	1
#	113775	HWKIT,BLISTER PACK	1
.	.	119466 SPACER	2
.	.	045010 ALLEN WRENCH	1
.	.	045028 SOCKET TOOL	1
.	.	101324 SCREWDRIVER/WRENCH	1
.	.	013469 SCREW	4
.	.	100151 AXLECAP	2
.	.	108668 SPACER	2
.	.	107428 SCREW	4
.	.	012056 NUT	2

MODEL NUMBER: PF76003
VERSION: 05
PRODUCT NAME: PROFORM 760
PRODUCT DESC:

MODEL/PART BOOK LISTING

PAGE 3
INJ023P1
RUN DATE: 1/11/97
RUN TIME: 8:25:14

KEY NUMBER	PART NUMBER	DESCRIPTION	QUANTITY
.	.	013250 SCREW	3
.	.	100364 BUSHING	2
.	.	121636 CONSUMER NOTICE	1