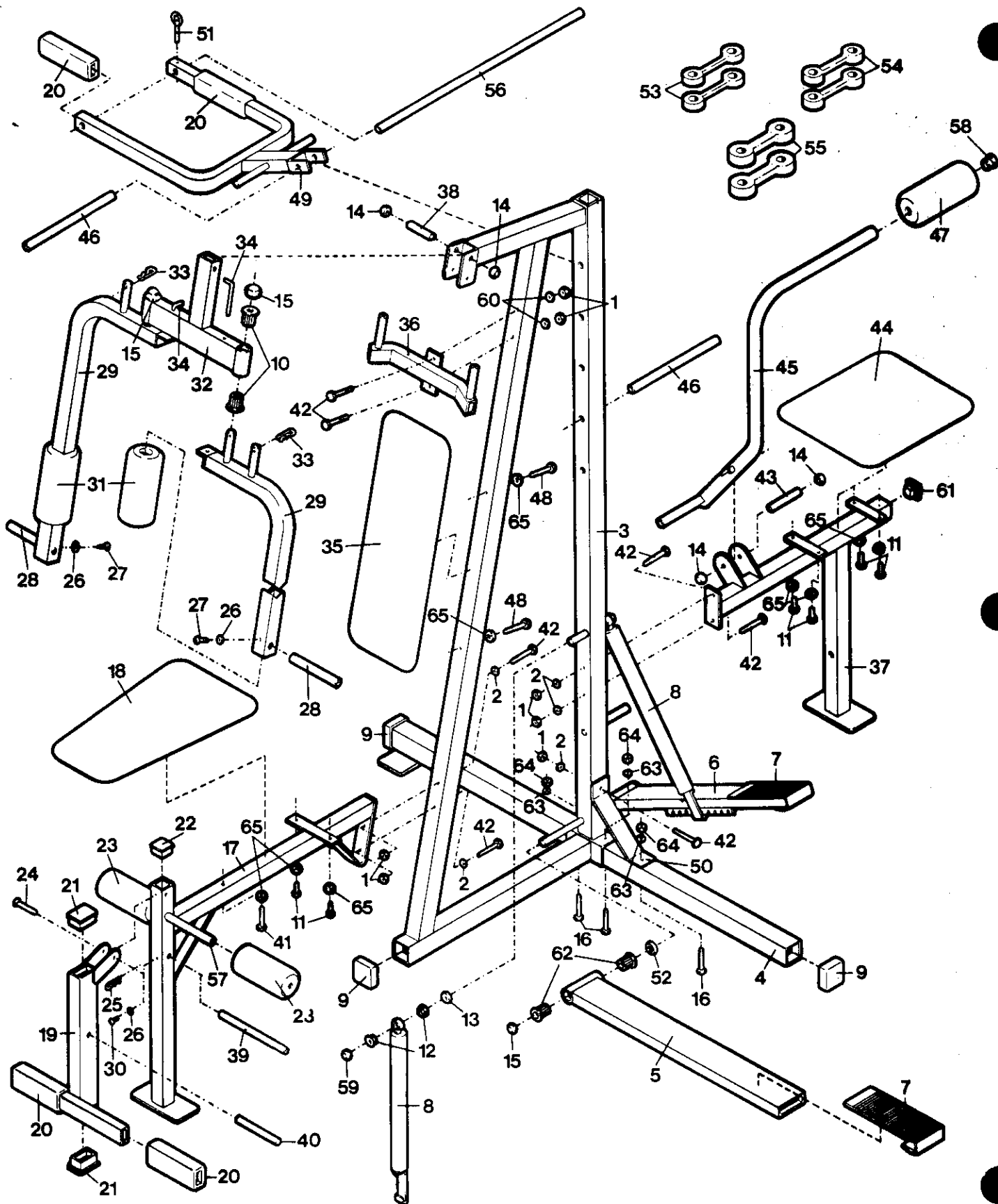


# EXPLODED DRAWING—Model No. PF813020

Rev. 11/92



MODEL NUMBER: PF81302  
 VERSION: 00  
 PRODUCT NAME: PROFORM VXT  
 PRODUCT DESC:

MODEL/PART BOOK LISTING

PAGE 1  
 INI023P1  
 RUN DATE: 2/08/97  
 RUN TIME: 8:58:08

KEY NUMBER	PART NUMBER	DESCRIPTION	QUANTITY
1	012108	NYLOCK NUT, 3/8"	7
2	105495	WASHER, 3/8"	5
3	NSP	FRAME	1
4	108621	STABILIZER	1
5	110224	LEFT PEDAL ASSEMBLY *	1
	.	108714 LEFT PEDAL	1
	.	100048 LARGE BUSHING	4
	.	106872 PEDAL COVER ASSY.	1
	.	103735 AXLECAP, 3/4"	1
	.	111374 CN-AXLECAP RPLCMNT	1
	.	110208 LEFT PEDAL DECAL	1
6	110225	RIGHT PEDAL ASSEMBLY *	1
	.	108719 RIGHT PEDAL	1
	.	100048 LARGE BUSHING	4
	.	106872 PEDAL COVER ASSY.	1
	.	103735 AXLECAP, 3/4"	1
	.	111374 CN-AXLECAP RPLCMNT	1
	.	110209 RIGHT PEDAL DECAL	1
7	106872	PEDAL COVER ASSEMBLY	2
	.	111572 PEDAL COVER	1
	.	100873 TAPE	4
8	109871	RESISTANCE CYLINDER ASSY.	2
	.	109398 RESISTANCE CYL.	1
	.	100151 AXLECAP, 5/8"	1
	.	111374 CN-AXLECAP RPLCMNT	1
	.	109591 RES. CYL. DECAL	1
9	105723	FRAME ENDCAP	3
10	100048	BUSHING	4
11	013456	SEAT BOLT, 3/4"	6
12	109872	RES. CYL. BSHG ASSEMBLY	2
	.	109399 RES. CYL. BSHG SET	1
	.	100151 AXLECAP, 5/8"	1
	.	111374 CN-AXLECAP RPLCMNT	1
13	109873	RES. CYL. SPCR ASSEMBLY	2
	.	110643 RES. CYL. SPACER	1
	.	100151 AXLECAP, 5/8"	1
	.	111374 CN-AXLECAP RPLCMNT	1
14	103903	AXLECAP, 1/2"	4
15	103735	AXLECAP, 3/4"	4
16	108674	CARRIAGE BOLT, 2.5" L	3
17	110198	PRESS SEAT FRAME W/CAP	1
	.	108628 PRESS SEAT FRAME	1
	.	108741 ENDCAP	1
18	105376	PRESS SEAT	1
19	110217	LEG LEVER ASSEMBLY *	1
	.	108635 LEG LEVER W/PRESS	1
	.	108742 ENDCAP	2
	.	110214 LEG LVR EXT. DECAL	1
	.	110215 LEG LVR PRSS DECAL	1
	.	110211 LEG LEVER DECAL	1
20	108734	FOAM PAD	4
21	108742	LEG LEVER ENDCAP	2
22	108741	PRESS SEAT ENDCAP	1
23	103805	PRESS SEAT FOAM PAD	2

MODEL NUMBER: PF81302  
 VERSION: 00  
 PRODUCT NAME: PROFORM VXT  
 PRODUCT DESC:

MODEL/PART BOOK LISTING

PAGE 2

INI023P1  
 RUN DATE: 2/08/97  
 RUN TIME: 8:58:08

KEY NUMBER	PART NUMBER	DESCRIPTION	QUANTITY
24	108737	LEG LEVER PIN	1
25	015043	HAIRPIN COTTER, 3/8"	1
26	014088	STAR WASHER	3
27	107428	SCREW, 3/4"	2
28	109412	BUTTERFLY HANDLE	2
29	108701	BUTTERFLY ARM	2
30	013512	WTBAND TUBE BOLT, 1.25"	1
31	104705	BUTTERFLY FOAM PAD	2
32	110226	SUPPORT ARM ASSEMBLY *	1
.	.	108705 SUPPORT ARM	1
.	.	100048 BUSHING	4
.	.	103903 AXLECAP, 1/2"	2
.	.	111374 CN-AXLECAP RPLCMNT	1
.	.	110212 SUPPORT ARM DECAL	1
33	015044	HAIRPIN COTTER, 3/4"	2
34	108739	SUPPORT ARM PULL PIN	2
35	108727	BACK REST	1
36	108710	WEIGHTBAND BRACKET	1
37	110239	AB FRAME ASSEMBLY	1
.	.	108641 AB FRAME	1
.	.	103903 AXLECAP, 1/2"	2
.	.	111374 CN-AXLECAP RPLCMNT	1
.	.	103833 FRAME ENDCAP	1
38	110229	SUPPORT AXLE ASSEMBLY	1
.	.	109411 SUPPORT ARM AXLE	1
.	.	103903 AXLECAP, 1/2"	2
.	.	111374 CN-AXLECAP RPLCMNT	1
39	108697	SEAT WEIGHTBAND TUBE	1
40	108615	WEIGHTBAND TUBE, 5.5" L	1
41	013498	SEAT BOLT, 2"	1
42	105329	FRAME BOLT, 2.75"	7
43	109870	AB "D" AXLE ASSEMBLY	1
.	.	109172 AB ARM "D" AXLE	1
.	.	103903 AXLECAP, 1/2"	2
.	.	111374 CN-AXLECAP RPLCMNT	1
44	108729	AB SEAT	1
45	110227	AB ARM ASSEMBLY *	1
.	.	108647 AB ARM	1
.	.	110207 AB ARM DECAL	1
.	.	103903 AXLECAP, 1/2"	2
.	.	111374 CN-AXLECAP RPLCMNT	1
46	108724	WEIGHTBAND POST	2
47	108733	AB ARM FOAM PAD, 8" L	1
48	013341	BACK REST BOLT, 2.5"	2
49	110228	SQUAT ARM W/DECAL *	1
.	.	108690 SQUAT ARM	1
.	.	110213 SQUAT ARM DECAL	1
50	109217	STEPPER BRACE *	1
51	100091	SQUAT ARM PULL PIN	1
52	109868	PEDAL SPACER ASSEMBLY	2
.	.	105101 PEDAL SPACER	1
.	.	103735 AXLECAP, 3/4"	1
.	.	111374 CN-AXLECAP RPLCMNT	1
53	105736	#1 WEIGHTBAND	2

MODEL NUMBER: PF81302  
 VERSION: 00  
 PRODUCT NAME: PROFORM VXT  
 PRODUCT DESC:

MODEL/PART BOOK LISTING

RUN DATE: 2/08/97

RUN TIME: 8:58:08

KEY NUMBER	PART NUMBER	DESCRIPTION	QUANTITY
54	105740	#2 WEIGHTBAND	2
55	105742	#3 WEIGHTBAND	2
56	108721	LAT BAR	1
57	108726	FOAM PAD MOUNTING TUBE	1
58	104571	AB ARM ENDCAP	1
59	100151	RESIST CYL AXLECAP, 5/8"	2
60	014156	LARGE WASHER	2
61	103833	AB FRAME ENDCAP	1
62	109867	PEDAL BUSHING SET ASSY.	2
.	.	100048 LARGE BUSHING SET	1
.	.	103735 AXLECAP, 3/4"	1
.	.	111374 CN-AXLECAP RPLCMNT	1
63	110468	LOCK WASHER, 3/8"	3
64	012159	HEX NUT, 3/8"	3
65	014062	LOCK WASHER, 1/4"	9
.	.	NON-ILLUSTRATED PARTS:	0
A	110207	AB ARM DECAL *	1
B	110208	LEFT PEDAL DECAL *	1
C	110209	RIGHT PEDAL DECAL *	1
D	110210	STEPPER DECAL *	1
E	110211	LEG LEVER DECAL *	1
F	110212	SUPPORT ARM DECAL *	1
G	110213	SQUAT ARM DECAL *	1
H	110214	LEG LEVER EXT. DECAL *	1
I	110215	LEG LEVER PRESS DECAL *	1
J	110216	FRAME DECAL *	1
K	109591	RESIS. CYLINDER DECAL	2
L	104838	GREASE	1
M	108655	EXERCISE MANUAL	1
N	108654	OWNERS MANUAL	1
.	108653	LITERATURE PACKET	1
.	.	108654 OWNER'S MANUAL	1
.	.	108655 EXERCISE MANUAL	1
.	108736	PARTSKIT, ASSY PARTS	1
.	.	108737 LEG LEVER PIN	1
.	.	015043 HAIRPIN COTTER, 3/8	1
.	.	100091 SQUAT ARM PULL PIN	1
.	.	108739 SPRT ARM PULL PIN	2
.	.	103903 AXLECAP, 1/2"	4
.	.	100048 BUSHING	4
.	.	103735 AXLECAP, 3/4"	2
.	.	105723 FRAME ENDCAP	3
.	.	108741 PRESSEAT ENDCAP	1
.	.	108742 LEG LEVER ENDCAP	2
.	.	103833 AB FRAME ENDCAP	1
.	.	104571 AB ARM ENDCAP	1
.	108743	PARTSKIT, ASSY PARTS	1
.	.	105737 #1 WEIGHTBAND	2
.	.	105740 #2 WEIGHTBAND	2
.	.	105742 #3 WEIGHTBAND	2
.	108740	PARTSKIT, ASSY PARTS	1
.	.	104838 GREASE	0
.	.	100106 PEDAL COVER	2
.	.	100873 TAPE	8

MODEL NUMBER: PF81302  
VERSION: 00  
PRODUCT NAME: PROFORM VXT  
PRODUCT DESC:

MODEL/PART BOOK LISTING

PAGE 4  
INI023P1  
RUN DATE: 2/08/97  
RUN TIME: 8:58:08

KEY NUMBER	PART NUMBER	DESCRIPTION	QUANTITY
.	.	100048 BUSHING	4
.	.	100151 AXLECAP, 5/8"	2
.	.	103735 AXLECAP, 3/4"	2
.	.	105101 PEDAL SPACER	2
.	.	110643 RES. CYL. SPACER	2
108735	.	HWKIT, ASSY HARDWARE	1
.	.	108674 CARRIAGE BOLT, 2.5"	3
.	.	107428 SMALL SCREW, 3/4"	2
.	.	013512 WGTBAND TUBE BOLT	1
.	.	013456 SEAT BOLT, 3/4"	6
.	.	013498 LONG SEAT BOLT, 2"	1
.	.	013341 BACKREST BOLT, 2.5"	2
.	.	105329 FRAME BOLT	7
.	.	012108 NYLOCK NUT, 3/8"	7
.	.	014088 STAR WASHER	3
.	.	105495 WASHER, 3/8"	5
.	.	014156 LARGE WASHER	2
.	.	109172 AB ARM AXLE	1
.	.	109411 SUPPORT ARM AXLE	1
.	.	012159 NUT	3
.	.	110468 LOCK WASHER	3
.	.	015044 HAIRPIN COTTER	1
.	.	*--THESE ARE ESTIMATED	0
.	.	COSTS!!!!	0