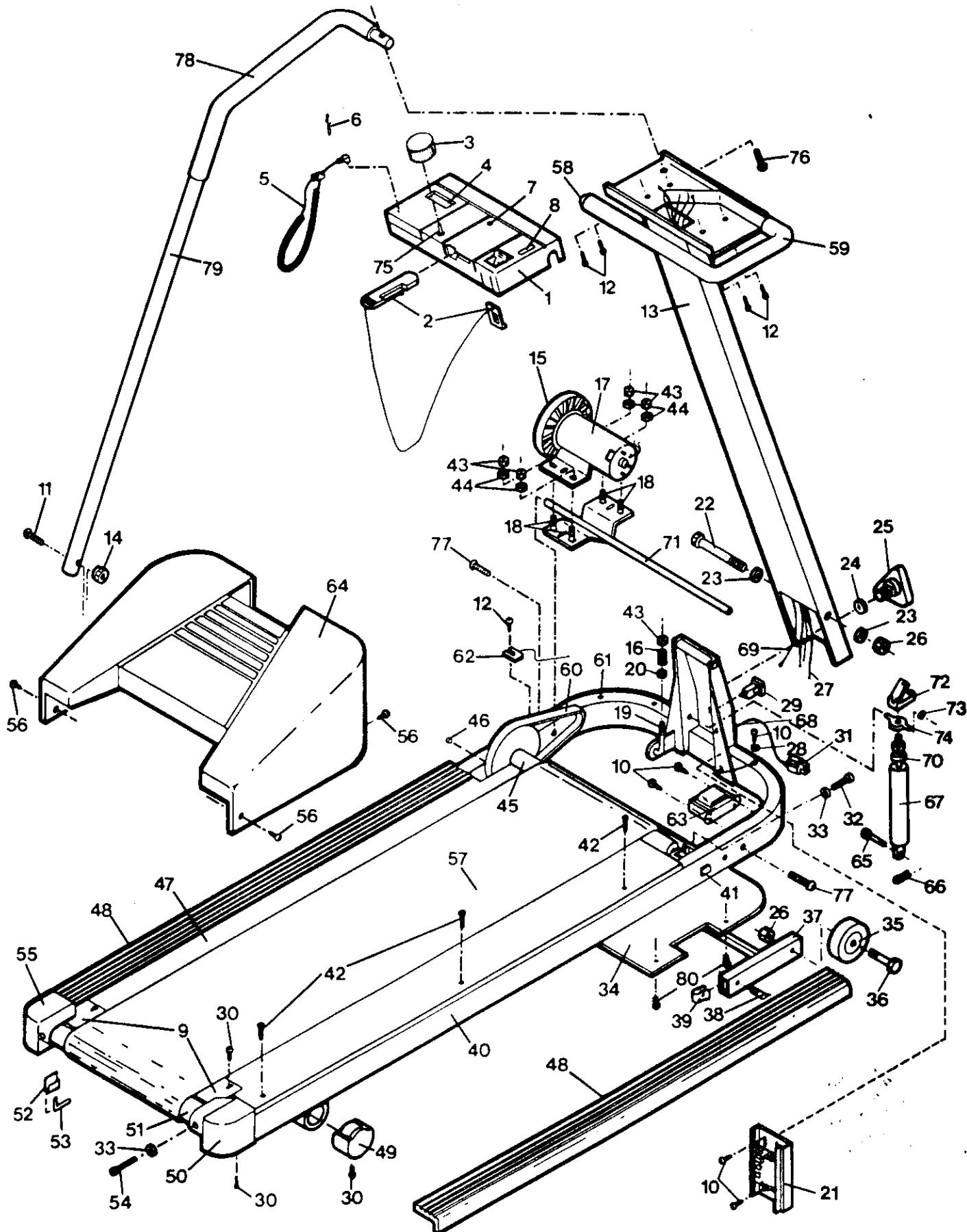


EXPLODED DRAWING—Model No. PF822020

Rev. 2/92

Specifications are subject to change without notice.



MODEL NUMBER: PF82202
VERSION: 00
PRODUCT NAME: PF82202
PRODUCT DESC:

MODEL/PART BOOK LISTING

PAGE 1

INI023P1

RUN DATE: 2/07/97
RUN TIME: 19:49:01

KEY NUMBER	PART NUMBER	DESCRIPTION	QUANTITY
1	107874	CONSOLE ASSEMBLY	1
2	104627	SAFETY KEY/CLIP	1
3	104625	SPEED CONTROL KNOB	1
4	128682	ELECTRONIC MONITOR	1
5	119946	PULSE/CLOTHES CLIP ASSY.	1
6	054013	CLOTHES CLIP	1
7	033161	POWER INDICATOR	1
8	088015	INCLINE INDICATOR	1
9	010206	ROLLER GUARD	2
10	013423	SMALL SCREW	5
11	105722	LONG SIDE RAIL BOLT, 3"	1
12	104626	CONSOLE MOUNTING SCREW	5
13	101729	UPRIGHT POST	1
14	105477	SIDE RAIL NUT	1
15	107444	PULLEY/FLYWHEEL/FAN	1
16	104514	MOTOR TENSION SPRING	1
17	109787	MOTOR ASSEMBLY	1
	.	124183 MOTOR	1
	.	102978 REPLACEMENT INSTR.	1
	.	116878 HARDWARE KIT	1
	.	122470 CN-MOTOR CHANGE	1
17A	107936	MOTOR/PULY/FLY/FAN ASSY.	1
	.	124183 MOTOR	1
	.	107444 PULY/FLWH/FAN ASSY	1
	.	116878 HARDWARE KIT	1
	.	122470 REPLACEMENT INSTR.	1
18	013445	MOTOR BOLT	4
19	103855	J-BOLT	1
20	014041	TENSION SPRING WASHER	1
21	129854	CONTROLLER W/RI	1
22	104925	UPRIGHT BOLT	1
23	014087	UPRIGHT WASHER	2
24	014156	LOCK KNOB WASHER	1
25	017088	LOCK KNOB	1
26	012108	LOCKNUT	3
27	031231	ON/OFF WIRE	1
28	014157	STAR WASHER	1
29	109382	CIRCUIT BREAKER	1
30	013162	SMALL SCREW	6
31	031229	POWER CORD	1
32	013275	FRONT ROLLER ADJ. BOLT	1
33	014127	ADJUSTMENT WASHER	3
34	104530	SAFETY COVER	1
35	052014	FRONT WHEEL	2
36	103045	WHEEL BOLT	2
37	101391	LIFT FRAME	1
38	013210	LIFT FRAME BOLT	2
39	012179	U-NUT	2
40	NSP	FRAME	1
41	041043	HOOD CUSHION	4
42	100691	PLATFORM SCREW	6
43	012082	MOTOR NUT	5
44	101630	MOTOR WASHER	4
45	107873	FRONT ROLLER/PULLEY ASSY.	1

MODEL NUMBER: PF82202
 VERSION: 00
 PRODUCT NAME: PF82202
 PRODUCT DESC:

MODEL/PART BOOK LISTING

RUN DATE: 2/07/97
 RUN TIME: 19:49:01

KEY NUMBER	PART NUMBER	DESCRIPTION	QUANTITY
46	100498	SENSOR MAGNET	1
47	053025	WALKING PLATFORM	1
48	107412	DECK RAIL	2
49	040156	REAR LEG ENDCAP	2
50	101362	RIGHT ROLLER BRACKET	1
51	070084	REAR ROLLER	1
52	016028	TOOL CLAMP	1
53	045010	ALLEN WRENCH	1
54	013206	REAR ROLLER ADJ. BOLT	2
55	101361	LEFT ROLLER BRACKET	1
56	104621	MOTOR HOOD SCREW	4
57	126255	WALKING BELT ASSEMBLY	1
.	.	124299 WALKING BELT	1
.	.	127860 NAIL	12
.	.	110237 REPLACEMENT INSTR.	1
58	040119	HANDRAIL ENDCAP	1
59	102541	HANDRAIL FOAM GRIP	1
60	101004	BELT	1
61	016055	SENSOR WIRE CLIP	3
62	115569	SENSOR WIRE/REED SWITCH	1
63	031238	CHOKE	1
64	107964	MOTOR HOOD W/DECAL	1
.	.	105599 MOTOR HOOD	1
.	.	107953 MOTOR HOOD DECAL	1
65	101639	SHOCK PIN	1
66	106334	COTTER PIN	1
67	043036	SHOCK	1
68	019084	GROMMET	1
69	088005	SHOCK RELEASE CABLE	1
70	059019	SHOCK CUSHION	1
71	102087	SWIVEL SHAFT	1
72	088004	SHOCK RELEASE	1
73	012133	PUSHNUT	1
74	008204	SHOCK MOUNTING BRACKET	1
75	031121	SPEED POT. ASSEMBLY	1
76	104634	SHORT SIDERAIL BOLT, 1"	1
77	104624	SWIVEL SHAFT BOLT	2
78	103423	SIDERAIL FOAM GRIP	1
79	105538	SIDERAIL W/FOAM GRIP	1
.	.	104651 SIDERAIL	1
.	.	103423 FOAM GRIP	1
80	104623	PLASTIC PIN	12
.	.	NON-ILLUSTRATED PARTS:	0
#	111430	UPRIGHT LOCK NUT	1
#	107617	FRAME DECAL	2
#	107953	MOTOR HOOD DECAL	1
#	102718	MONITOR OPERATION GUIDE	1
#	107954	OWNER'S MANUAL	1
.	107955	LITERATURE PACKET	1
.	.	107954 OWNER'S MANUAL	1
.	.	102718 MON. OPER. GUIDE	1
.	.	112589 PULSE EARCLIP	1
.	.	017088 LOCK KNOB	1
.	.	014156 LOCK KNOB WASHER	1

MODEL NUMBER: PF82202
VERSION: 00
PRODUCT NAME: PF82202
PRODUCT DESC:

MODEL/PART BOOK LISTING

PAGE 3
INI023P1
RUN DATE: 2/07/97
RUN TIME: 19:49:01

KEY NUMBER	PART NUMBER	DESCRIPTION	QUANTITY
.		070307 SILICONE	1
.		106843 HARDWARE KIT	1
.		016028 TOOL CLAMP	1
.		045010 ALLEN WRENCH	1
.		105722 3" SIDERAIL BOLT	1
.		104634 1" SIDERAIL BOLT	1
.		105477 SIDERAIL NUT	1