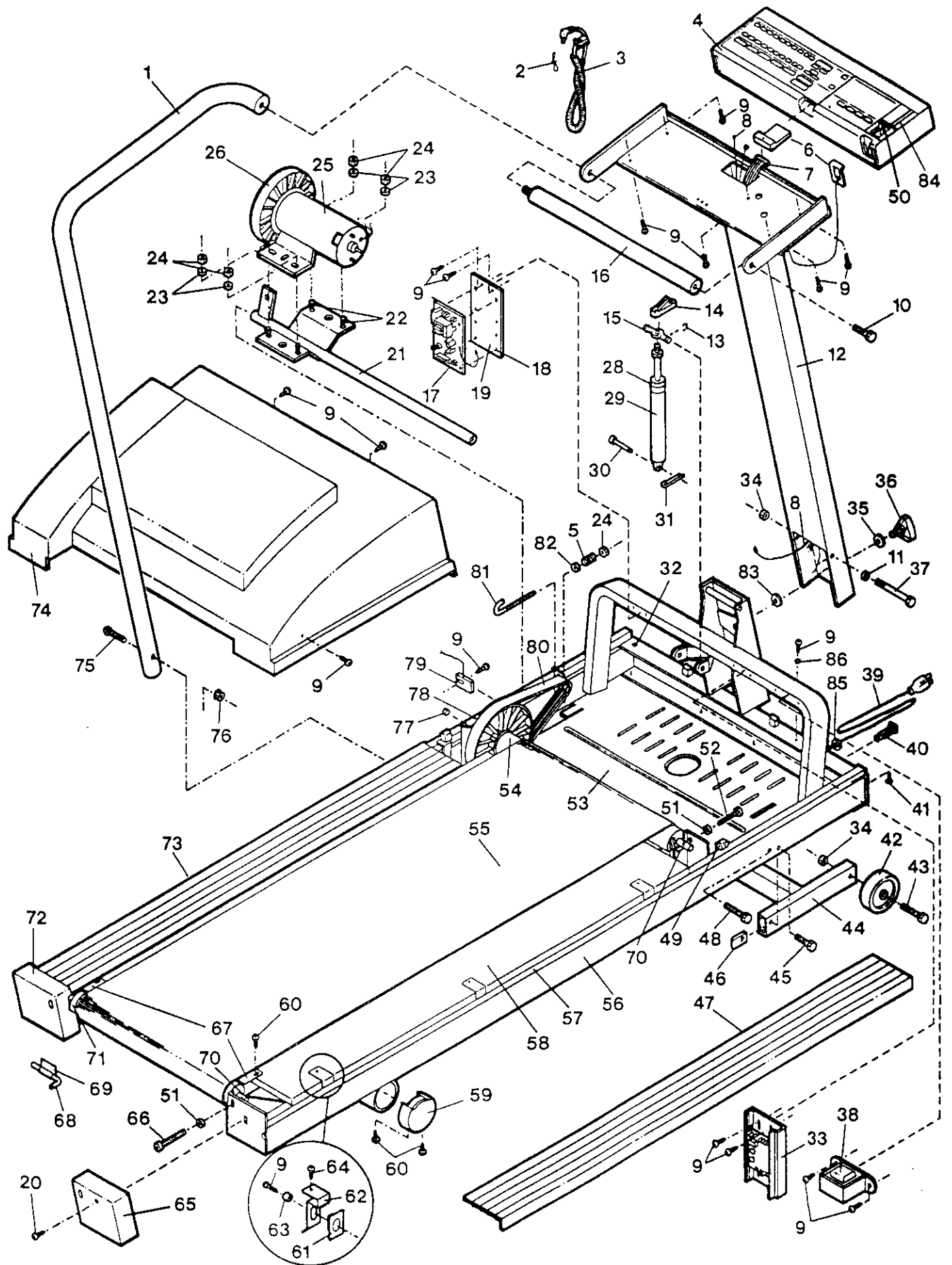


EXPLODED DRAWING—Model No. PF824020

Rev. 9/92



MODEL NUMBER: PF82402
 VERSION: 00
 PRODUCT NAME: PROFORM 824 EXP
 PRODUCT DESC:

MODEL/PART BOOK LISTING

PAGE 1
 INI0211
 RUN DATE: 3/10/97
 RUN TIME: 16:26:23

KEY NUMBER	PART NUMBER	DESCRIPTION	QUANTITY
	.	PROFORM 824 EXP	0
1	105638	LEFT SIDE RAIL	1
2	054013	CLOTHES CLIP	1
3	119946	PULSE/CLOTHES CLIP ASSY.	1
4	107621	CONSOLE ASSEMBLY	1
5	104514	TENSION SPRING	1
6	106593	SAFETY KEY/CLIP	1
7	102250	WIRE HARNESS	1
8	088005	INCLINE CABLE	1
9	108080	SCREW	25
10	104581	HANDRAIL BOLT	1
11	014087	FLAT WASHER	2
12	NLA	UPRIGHT POST	1
13	054016	E-CLIP	1
14	088004	LIFT CYLINDER RELEASE	1
15	008149	CYLINDER MOUNT BRACKET	1
16	105714	HANDRAIL	1
17	111098	CIRCUIT BOARD W/CN	1
	.	107902 CIRCUIT BOARD	1
	.	125819 PLASTIC STAND-OFF	4
	.	111152 CN-INSTALL INST.	1
18	125819	PLASTIC STAND-OFF LOCKPIN	4
19	106261	PLATE	1
20	109250	ENDCAP SCREW	2
21	111150	MOTOR MOUNT SWIVEL W/CN	1
	.	106100 MOTOR MOUNT SWIVEL	1
	.	102978 CN-INSTALL INST.	1
22	013445	MOTOR MOUNT BOLT	4
23	101630	MOTOR MOUNT WASHER	4
24	012082	MOTOR MOUNT NUT	5
25	109787	MOTOR ASSEMBLY	1
	.	124183 MOTOR	1
	.	102978 CN-INSTALL INST.	1
	.	122470 CN-MOTOR CHANGE	1
	.	116878 HARDWARE KIT	1
25A	109525	MOTOR/PULY/FLY/FAN ASSY.	1
	.	124183 MOTOR	1
	.	108276 PULY/FLWH/FAN ASSY	1
	.	102978 CN-INSTALL INST.	1
	.	122470 CN-MOTOR CHANGE	1
	.	116878 HARDWARE KIT	1
26	108276	PULLEY/FLYWHEEL/FAN ASSY.	1
27	.	SEE #9	0
28	059019	LIFT CUSHION	1
29	109792	LIFT SHOCK W/CN	1
	.	112582 SHOCK	1
	.	109785 CN-INSTALL INST.	1
30	101639	CYLINDER PIN	1
31	106334	COTTER PIN	1
32	016055	WIRE CLIP	4
33	129861	CONTROLLER W/CN	1
34	012108	LOCKNUT	3
35	014156	LOCK KNOB WASHER	1
36	017088	LOCK KNOB	1

MODEL NUMBER: PF82402
 VERSION: 00
 PRODUCT NAME: PROFORM 824 EXP
 PRODUCT DESC:

MODEL/PART BOOK LISTING

PAGE 2
 INI023P1
 RUN DATE: 3/10/97
 RUN TIME: 16:5-23

KEY NUMBER	PART NUMBER	DESCRIPTION	QUANTITY
37	104925	PIVOT BOLT	1
38	031238	CHOKE	1
39	031229	POWER CORD	1
40	109382	CIRCUIT BREAKER	1
41	104623	PLASTIC PIN	12
42	052014	WHEEL	2
43	103045	WHEEL BOLT	2
44	106097	INCLINE LEG	1
45	013293	INCLINE LEG BOLT	2
46	012179	U-NUT	2
47	107879	RIGHT DECK RAIL	1
48	104624	SWIVEL SHAFT BOLT	2
49	008148	HOOD ANCHOR	4
50	088012	INCLINE LEVER	1
51	012127	ADJUSTMENT WASHER	3
52	106615	FRONT ROLLER ADJ. BOLT	1
53	NLA	SAFETY COVER	1
54	117273	FRONT ROLLER/PULLEY	1
55	125202	WALKING BELT ASSEMBLY	1
56	NSP	FRAME	1
57	105782	HIGH DENSITY FOAM	2
58	125200	WALKING PLATFORM ASSEMBLY	1
.	.	NOTE: THIS ASSEMBLY HAS	0
.	.	BEEN CHANGED FROM THE	0
.	.	ORIGINAL WAXED BOARD.	0
59	040156	REAR LEG ENDCAP	2
60	013162	GUARD/REAR LEG SCREW	6
61	105392	PLATFORM CLAMP BUSHING	6
62	105261	PLATFORM CLAMP	6
63	105475	SMALL BUSHING	6
64	013141	PLATFORM SCREW	6
65	104732	RIGHT ENDCAP	1
66	105444	REAR ROLLER ADJ. BOLT	2
67	010206	ROLLER GUARD	2
68	045010	TOOL CLAMP	1
69	016028	WRENCH CLIP	1
70	105000	ROLLER SPACER	3
71	110245	REAR ROLLER W/CN	1
.	.	070084 REAR ROLLER	1
.	.	103847 CN-INSTALL INST.	1
72	104731	LEFT ENDCAP	1
73	NLA	LEFT DECK RAIL	1
74	111149	MOTOR HOOD W/DECAL	1
.	.	104599 MOTOR HOOD	1
.	.	108550 MOTOR HOOD DECAL	1
75	105722	SIDE RAIL BOLT, 3"	1
76	105477	SIDE RAIL NUT	1
77	100498	SENSOR MAGNET	1
78	105257	FRONT ROLLER INSERT	1
79	124434	REED SWITCH/SENSOR WIRE	1
80	106939	BELT	1
81	103855	J-BOLT	1
82	014041	TENSION WASHER	1
83	105388	UPRIGHT SPACER	1

MODEL NUMBER: PF82402
VERSION: 00
PRODUCT NAME: PROFORM 824 EXP
PRODUCT DESC:

MODEL/PART BOOK LISTING

PAGE 3
INI023P1

RUN DATE: 3/10/97
RUN TIME: 16:26:23

KEY NUMBER	PART NUMBER	DESCRIPTION	QUANTITY
84	088015	INCLINE INDICATOR	1
85	019084	GROMMET	1
86	014157	GROUND WASHER	2
.	.	NON-ILLUSTRATED PARTS:	0
#	107618	FRAME DECAL	2
#	108550	MOTOR HOOD DECAL	1
#	108552	OWNER'S MANUAL	1
.	108551	LITERATURE PACKET	1
.	.	108552 OWNER'S MANUAL	1
.	.	112589 PULSE EARCLIP	1
.	.	017088 LOCK KNOB	1
.	.	014156 LOCK KNOB WASHER	1
.	.	105388 UPRIGHT SPACER	1
.	.	105458 HARDWARE KIT	1
.	.	016028 TOOL CLAMP	1
.	.	045010 ALLEN WRENCH	1
.	.	105722 3" SIDERAIL BOLT	1
.	.	105477 SIDERAIL NUT	1