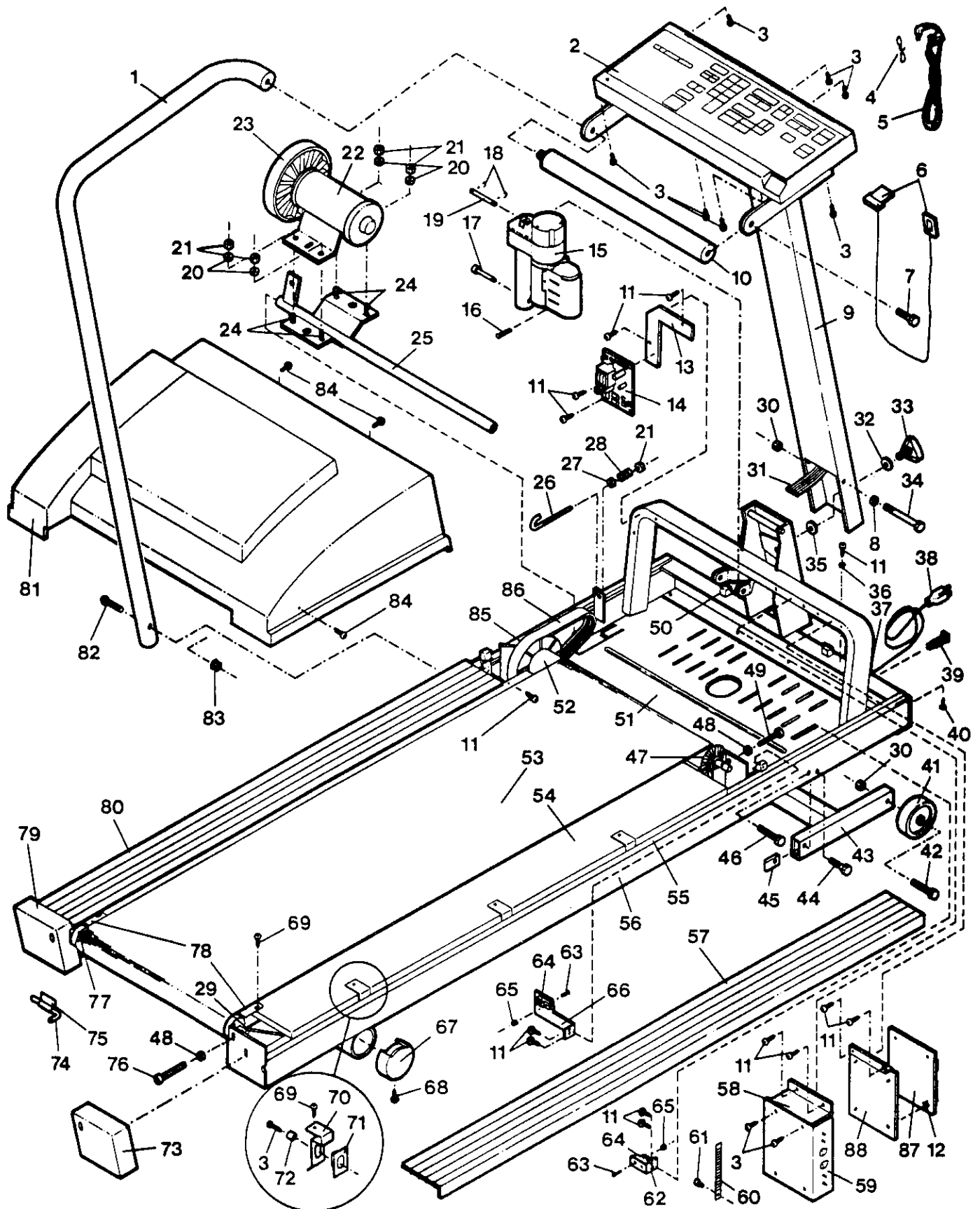


EXPLODED DRAWING- Model No. PF826010

Rev. 9/91

Specifications are subject to change without notice.



MODEL NUMBER: PF82601
 VERSION: 00
 PRODUCT NAME: PROFORM 826 EXP
 PRODUCT DESC:

MODEL/PART BOOK LISTING

RUN DATE: 3/10/97
 RUN TIME: 16:26:33

KEY NUMBER	PART NUMBER	DESCRIPTION	QUANTITY
1	105638	SIDE RAIL	1
2	104453	CONSOLE	1
3	104626	SCREW	15
4	054013	CLOTHES CLIP	1
5	119946	PULSE/CLOTHES CLIP ASSY.	1
6	104452	SAFETY KEY/CLIP	1
7	104581	HANDRAIL BOLT	1
8	014087	FLAT WASHER	2
9	105785	UPRIGHT POST	1
10	105714	HANDRAIL *	1
11	013423	SMALL SCREW	15
12	125819	PLASTIC STAND-OFF	4
13	105791	POWER SUPPLY BRACKET	1
14	102870	POWER SUPPLY	1
15	030016	INCLINE MOTOR	1
16	106334	COTTER PIN	1
17	100896	LOWER INCLINE PIN	1
18	054016	E-CLIP	2
19	015047	UPPER INCLINE PIN	1
20	101630	MOTOR MOUNT WASHER	4
21	012082	MOTOR MOUNT NUT	5
22	103997	MOTOR ASSEMBLY	1
23	100147	PULLEY/FLYWHEEL/FAN	1
24	013445	MOTOR MOUNT BOLT	4
25	105389	MOTOR MOUNT SWIVEL SHAFT	1
26	103855	J-BOLT	1
27	014041	TENSION WASHER	1
28	104514	TENSION SPRING	1
29	105000	REAR ROLLER SPACER	2
30	012108	LOCKNUT	3
31	102641	WIRE HARNESS	1
32	014156	LOCK KNOB WASHER	1
33	017088	LOCK KNOB	1
34	104925	PIVOT BOLT	1
35	105388	UPRIGHT SPACER	1
36	014157	GROUND WASHER	2
37	019084	GROMMET	1
38	031229	POWER CORD	1
39	109382	CIRCUIT BREAKER	1
40	104623	PLASTIC FASTENER	12
41	052014	FRONT WHEEL	2
42	103045	WHEEL BOLT	2
43	NLA	INCLINE LEG	1
44	013293	INCLINE LEG BOLT	2
45	012179	U-NUT	2
46	104624	SWIVEL SHAFT BOLT	2
47	107052	SPEED DISK ASSEMBLY	1
.	.	106981 SPEED DISK	1
.	.	103617 MOUNTING TAPE	1
.	.	109784 CN-INSTALL INST.	1
.	.	NOTE: IF THE SPEED DISK	0
.	.	IS NOT DAMAGED, JUST SEND	0
.	.	THE MOUNTING TAPE AND THE	0
.	.	ASSEMBLY INSTRUCTIONS BY	0

MODEL NUMBER: PF82601
 VERSION: 00
 PRODUCT NAME: PROFORM 826 EXP
 PRODUCT DESC:

MODEL/PART BOOK LISTING

PAGE 2
 INI023P1

RUN DATE: 3/10/97
 RUN TIME: 16:26:33

KEY NUMBER	PART NUMBER	DESCRIPTION	QUANTITY
	.	ORDERING PART #109903.	0
48	014127	ADJUSTMENT WASHER	3
49	106615	FRONT ROLLER ADJ. BOLT	1
50	008148	HOOD MOUNT ANCHOR	4
51	NLA	SAFETY COVER	1
52	107877	FRONT ROLLER/PULLEY	1
53	130475	WALKING BELT ASSEMBLY	1
54	124584	WALKING PLATFORM ASSEMBLY	1
.	.	NOTE: THIS ASSEMBLY HAS	0
.	.	BEEN CHANGED FROM THE	0
.	.	ORIGINAL WAXED BOARD	0
55	105782	HIGH DENSITY FOAM	2
56	NSP	FRAME	1
57	107918	RIGHT FOOT RAIL	1
58	105792	CONTROLLER BRACKET	1
59	031173	CONTROLLER	1
60	102900	INCLINE LADDER	1
61	015072	LADDER PIN	1
62	105784	INCLINE SWITCH BRACKET	1
63	102959	SMALL BOLT	2
64	102955	INCLINE SWITCH	2
65	012152	SMALL NUT	2
66	105783	SPEED SWITCH BRACKET	1
67	040156	REAR LEG ENDCAP	2
68	013162	ENDCAP SCREW	2
69	013141	PLATFORM SCREW	8
70	105261	PLATFORM CLAMP	6
71	105392	PLATFORM CLAMP BUSHING	6
72	105475	SMALL BUSHING	6
73	104732	RIGHT ENDCAP	1
74	045010	ALLEN WRENCH	1
75	016028	TOOL CLAMP	1
76	105444	REAR ROLLER ADJ. BOLT	2
77	105264	REAR ROLLER	1
78	010206	ROLLER GUARD	2
79	104731	LEFT ENDCAP	1
80	105788	LEFT FOOT RAIL	1
81	107353	MOTOR HOOD W/DECAL	1
.	.	104600 MOTOR HOOD	1
.	.	105648 MOTOR HOOD DECAL	1
82	105722	SIDE RAIL BOLT	1
83	105477	SIDE RAIL NUT	1
84	104621	HOOD SCREW	4
85	105257	FRONT ROLLER INSERT	1
86	101004	BELT	1
87	102871	INTERFACE BOARD	1
88	105790	INTERFACE BRACKET	1
.	.	NON-ILLUSTRATED PARTS:	0
#	105649	FRAME DECAL	2
#	105648	MOTOR HOOD DECAL	1
#	105893	OWNER'S MANUAL	1
.	105892	LITERATURE PACKET	1
.	.	105893 OWNER'S MANUAL	1
.	.	112589 PULSE EARCLIP	1

MODEL NUMBER: PF82601
VERSION: 00
PRODUCT NAME: PROFORM 826 EXP
PRODUCT DESC:

MODEL/PART BOOK LISTING

PAGE 3
IN1023P1

RUN DATE: 3/10/97
RUN TIME: 16:25:33

KEY NUMBER	PART NUMBER	DESCRIPTION	QUANTITY
.		017088 LOCK KNOB	1
.		014156 LOCK KNOB WASHER	1
.		105458 HARDWARE KIT	1
.		016028 WRENCH CLIP	1
.		045010 ALLEN WRENCH	1
.		105722 3" SIDERAIL BOLT	1
.		105477 SIDERAIL NUT	1