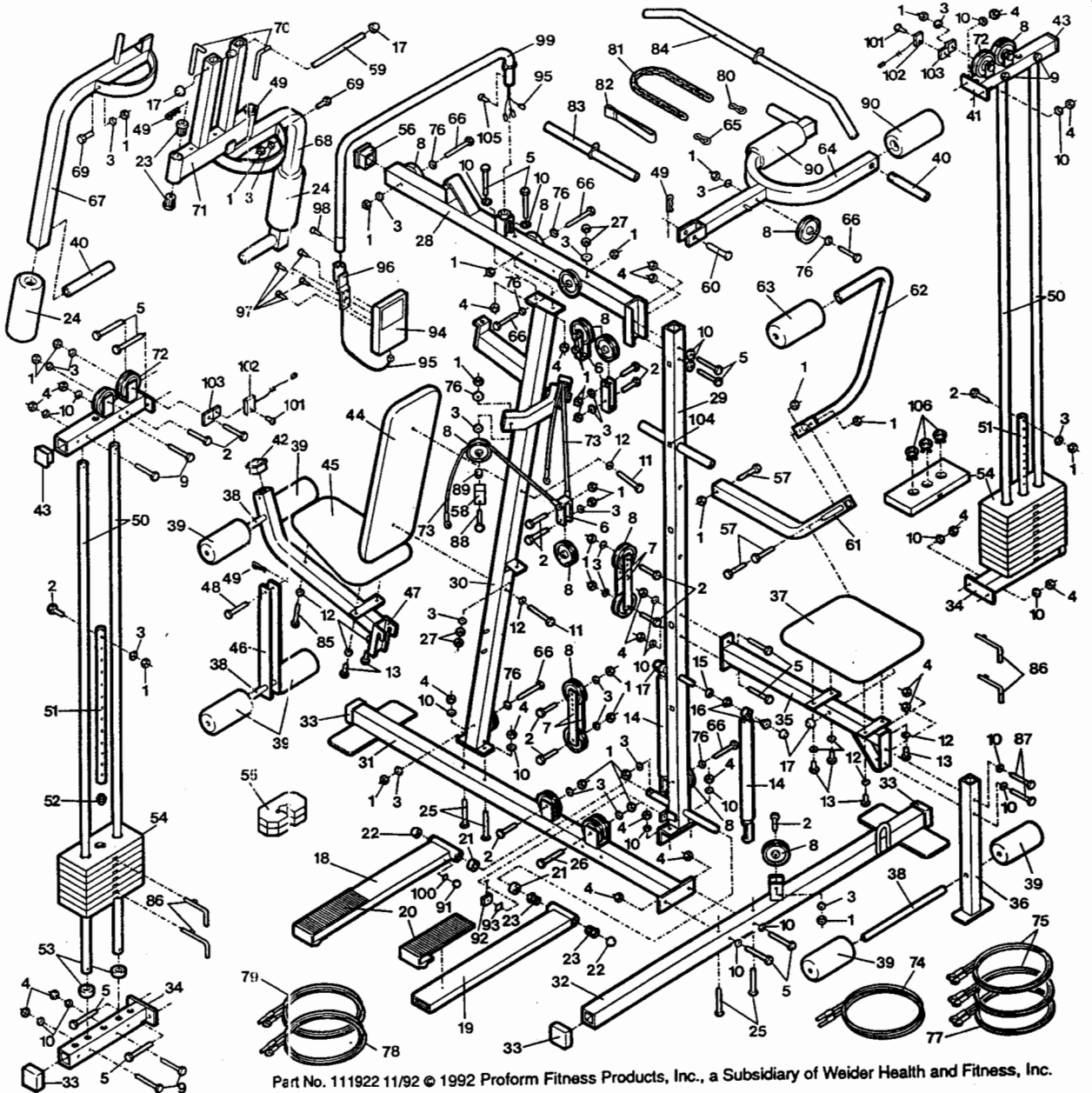


PART LIST/EXPLODED DRAWING

Model No. PF831520

| Key No. | Qty. | Description | Key No. | Qty. | Description |
|---------|------|-----------------------------|---------|------|----------------------------|
| 1 | 32 | 8mm Nylock Nut | 57 | 3 | 8mm x 51mm Bolt |
| 2 | 18 | 8mm x 42mm Bolt | 58 | 2 | Cable Guide |
| 3 | 28 | Small 8mm Washer | 59 | 1 | Arm Support Axle |
| 4 | 26 | 10mm Nylock Nut | 60 | 1 | Clevis Pin |
| 5 | 12 | 10mm x 68mm Bolt | 61 | 1 | Ab Arm Bracket |
| 6 | 3 | "U"-Bracket | 62 | 1 | Ab Arm |
| 7 | 4 | "I"-Plate | 63 | 1 | Ab Pad |
| 8 | 21 | Pulley | 64 | 1 | Squat Arm |
| 9 | 8 | 10mm x 62mm Bolt | 65 | 1 | Small Cable Clip |
| 10 | 26 | 10mm Flat Washer | 66 | 6 | 8mm x 85mm Bolt |
| 11 | 2 | 6mm x 60mm Bolt | 67 | 1 | Left Arm |
| 12 | 9 | 6mm Star Washer | 68 | 1 | Right Arm |
| 13 | 6 | 6mm x 14mm Bolt | 69 | 2 | 8mm x 20mm Bolt |
| 14 | 2 | Resistance Cylinder | 70 | 2 | Pull Pin |
| 15 | 2 | Small Spacer | 71 | 1 | Arm Support |
| 16 | 2 | Resistance Cyl. Bushing Set | 72 | 2 | Pulley w/Magnet |
| 17 | 5 | 1/2" Dome Axle Cap | 73 | 2 | Cable 109456 |
| 18 | 1 | Left Pedal Assembly | 74 | 1 | Cable 109462 |
| 19 | 1 | Right Pedal Assembly | 75 | 2 | Cable 109459 |
| 20 | 2 | Pedal Pad | 76 | 8 | Large 8mm Washer |
| 21 | 2 | Large Spacer | 77 | 1 | Cable 109463 |
| 22 | 2 | 3/4" Axle Cap | 78 | 1 | Cable 109460 |
| 23 | 8 | Bushing | 79 | 1 | Cable 109461 |
| 24 | 2 | Butterfly Pad | 80 | 1 | Large Cable Clip |
| 25 | 4 | 10mm x 62mm Carriage Bolt | 81 | 1 | Chain |
| 26 | 1 | 8mm x 65mm Bolt | 82 | 1 | Ankle Strap |
| 27 | 4 | 5/16" Adjustment Nut | 83 | 1 | Rower Bar |
| 28 | 1 | Upper Brace | 84 | 1 | Lat Bar |
| 29 | 1 | Rear Upright | 85 | 1 | 6mm x 48mm Bolt |
| 30 | 1 | Front Upright | 86 | 4 | Weight Pin |
| 31 | 1 | Base | 87 | 2 | 10mm x 56mm Bolt |
| 32 | 1 | Stabilizer | 88 | 2 | 8mm x 58mm Bolt |
| 33 | 5 | Endcap | 89 | 23 | Pulley Sleeve |
| 34 | 2 | Lower Weight Bracket | 90 | 2 | Squat Arm Pad |
| 35 | 1 | Ab Frame | 91 | 1 | Magnet |
| 36 | 1 | Ab Frame Leg | 92 | 1 | Pedal Reed Switch |
| 37 | 1 | Ab Seat | 93 | 1 | Reed Switch Tape |
| 38 | 3 | Pad Tube | 94 | 1 | Console |
| 39 | 6 | Leg Lever Pad | 95 | 1 | Console Wire |
| 40 | 4 | Handle | 96 | 1 | Console Bracket |
| 41 | 2 | Upper Weight Bracket | 97 | 4 | 3.5mm x 11mm Screw |
| 42 | 1 | Small Inner Endcap | 98 | 1 | 4mm x 6.5mm Screw |
| 43 | 2 | Large Inner Endcap | 99 | 1 | Console Boom |
| 44 | 1 | Backrest | 100 | 1 | Magnet Tape |
| 45 | 1 | Seat | 101 | 2 | 4mm x 8mm Machine Screw |
| 46 | 1 | Leg Lever | 102 | 2 | Pulley Reed Switch |
| 47 | 1 | Seat Support | 103 | 2 | Reed Switch Bracket |
| 48 | 1 | Leg Lever Pin | 104 | 10 | Plastic Clip |
| 49 | 4 | Hairpin Cotter Pin | 105 | 1 | 4mm x 12mm Screw |
| 50 | 4 | Weight Guide | 106 | 57 | Weight Sleeve |
| 51 | 2 | Weight Selector Tube | # | 1 | Owner's Manual |
| 52 | 2 | Selector Tube Endcap | # | 1 | Part List/Exploded Drawing |
| 53 | 4 | Weight Guide Bumper | # | 1 | Exercise Manual |
| 54 | 19 | Large Weight | # | 1 | Grease |
| 55 | 2 | Small Weight | # | 1 | Resistance Cylinder Decal |
| 56 | 1 | Endcap w/Decal | | | |



Note: "*" indicates a non-illustrated part. Specifications are subject to change without notice. See the back cover of the owner's manual for information about ordering replacement parts.

Part No. 111922 11/92 © 1992 Proform Fitness Products, Inc., a Subsidiary of Weider Health and Fitness, Inc.