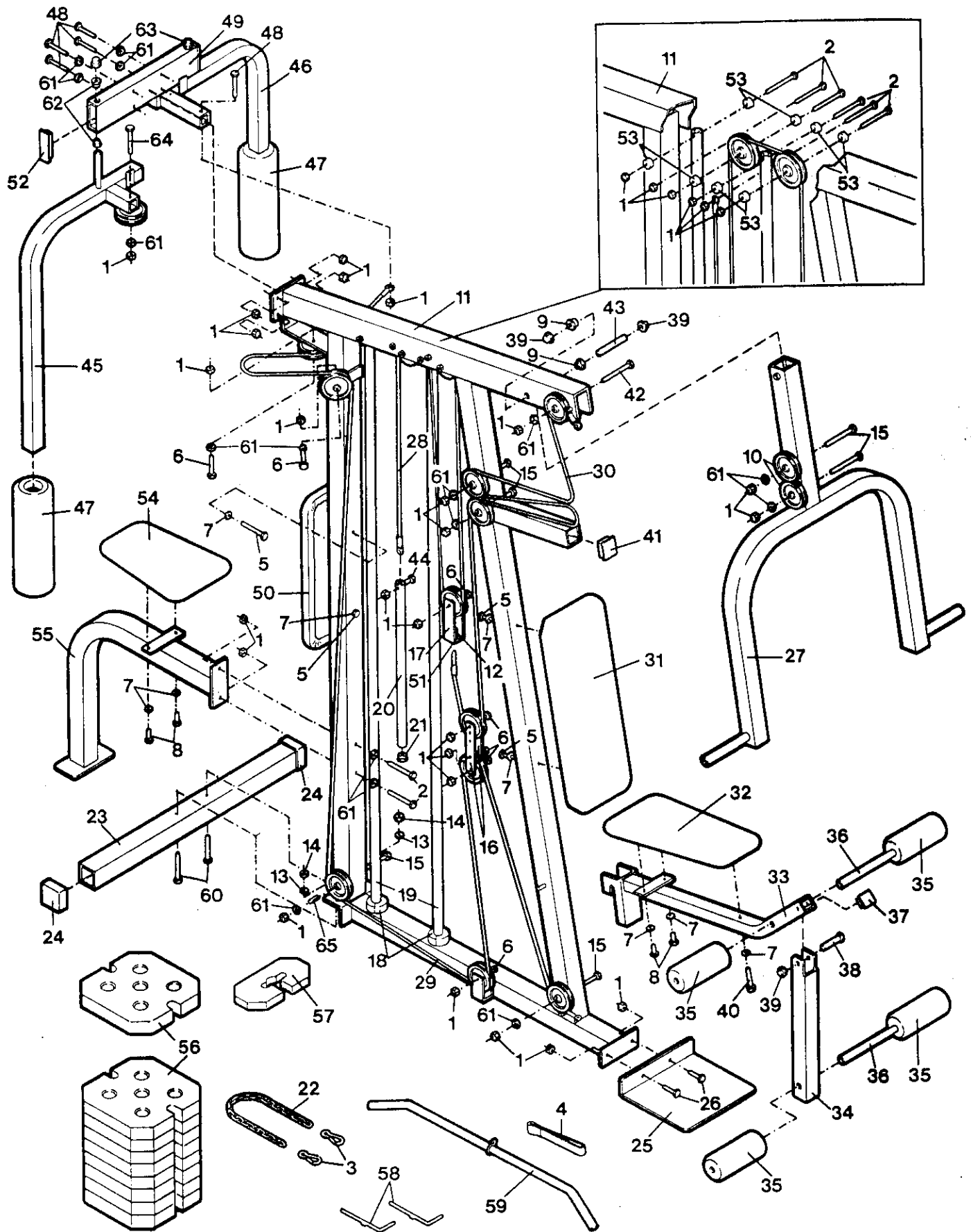


# EXPLODED DRAWING—Model No. PF832220

Rev. 10/92



Specifications are subject to change without notice.

MODEL NUMBER: PF83222  
 VERSION: 00  
 PRODUCT NAME: PROFORM SYSTEM 2  
 PRODUCT DESC:

MODEL/PART BOOK LISTING

PAGE 1  
 INI023P1  
 RUN DATE: 1/31/97  
 RUN TIME: 9:50:24

KEY NUMBER	PART NUMBER	DESCRIPTION	QUANTITY
1	012108	3/8" NYLOCK NUT	31
2	105329	3/8" X 2.75" BOLT	8
3	103087	CABLE HOOK	2
4	107048	ANKLE STRAP	1
5	013341	1/4" X 2 1/2" BOLT	4
6	013564	3/8" X 1 3/4" BOLT	7
7	014062	1/4" LOCK WASHER	9
8	013456	1/4" X 3/4" BOLT	4
9	111180	PRESS ARM BSHG W/AXLECAP	1
.	.	111000 PRESS ARM BUSHING	2
.	.	100150 AXLECAP, 1/2"	1
10	111175	PULLEY	16
11	NSP	FRAME	1
12	101138	5/16" JAM NUT	2
13	110468	3/8" LOCK WASHER	2
14	012159	3/8" NUT	2
15	104049	3/8" X 3 1/2" BOLT	6
16	109875	I-PLATE	2
17	110727	U-BRACKET	1
18	105433	WEIGHT BUMPER	2
19	132887	WEIGHT GUIDE	2
20	111182	WEIGHT SELECTOR TUBE	1
21	110726	WEIGHT TUBE ENDCAP	1
22	105315	CHAIN	1
23	112202	STABILIZER W/DECAL	1
.	.	110690 STABILIZER	1
.	.	104093 STABILIZER DECAL	1
24	105723	STABILIZER ENDCAP	2
25	108832	FOOT PLATE	1
26	105134	3/8" X 3/4" BOLT	2
27	111183	PRESS ARM	1
28	110290	WEIGHT CABLE	1
29	110737	LONG CABLE	1
30	109461	UPPER CABLE	1
31	110761	PRESS BACK PAD	1
32	110763	PRESS SEAT	1
33	112207	PRESS SEAT FRAME ASSY.	1
.	.	108834 PRESS SEAT FRAME	1
.	.	103833 FRAME ENDCAP	1
.	.	112938 CN-SEAT FRAME	1
34	109878	LEG LEVER ASSEMBLY	1
.	.	111405 LEG LEVER	1
.	.	100150 AXLECAP, 1/2"	1
.	.	109906 LEG LEVER DECAL	1
35	103805	SMALL FOAM PAD	4
36	108726	PAD POST	2
37	103833	PRESS SEAT FRAME ENDCAP	1
38	111181	LEG LEVER PIN W/AXLECAP	1
.	.	109693 LEG LEVER PIN	1
.	.	100150 AXLECAP, 1/2"	1
39	100150	SMALL AXLECAP, 1/2"	3
40	013498	1/4" X 2" BOLT	1
41	111097	FRAME ENDCAP	1
42	101263	3/8" X 4" BOLT	1

MODEL NUMBER: PF83222  
 VERSION: 00  
 PRODUCT NAME: PROFORM SYSTEM 2  
 PRODUCT DESC:

MODEL/PART BOOK LISTING

PAGE 2  
 INI023P1  
 RUN DATE: 1/31/97  
 RUN TIME: 9:50:24

KEY NUMBER	PART NUMBER	DESCRIPTION	QUANTITY
43	111184	PRESS ARM AXLE W/AXLECAP	1
.	.	110698 PRESS ARM AXLE	1
.	.	100150 AXLECAP, 1/2"	2
44	013369	3/8" X 1 1/2" BOLT	1
45	112320	LEFT BUTTERFLY ARM	1
46	112317	RIGHT BUTTERFLY ARM	0
47	105342	LARGE FOAM PAD	2
48	103045	3/8" X 2 1/2" BOLT	5
49	111187	BUTTERFLY SUPPORT	1
50	110713	BUTTERFLY BACK PAD	1
51	014041	5/16" WASHER	1
52	110722	BUTTERFLY SUPPORT ENDCAP	2
53	105309	SPACER	8
54	110718	BUTTERFLY SEAT PAD	1
55	110709	BUTTERFLY SEAT RAIL	1
56	109393	10 LB. WEIGHT	9
57	109392	5 LB. WEIGHT	1
58	110723	PULL PIN	2
59	105311	LAT BAR	1
60	108674	CARRIAGE BOLT	2
61	014087	3/8" WASHER	16
62	112204	BUSHING W/AXLECAP	4
.	.	109989 BUSHING	2
.	.	103735 AXLECAP, 1/2"	1
63	103735	LARGE AXLECAP, 3/4"	2
64	013519	3/8 X 3" BOLT	1
65	111470	PULLEY SLEEVE	16
.	.	NON-ILLUSTRATED PARTS:	0
A	112742	GUIDE ROD SLEEVE ASSEMBLY	1
.	.	112607 GUIDE ROD SLEEVE	2
.	.	112608 SLEEVE COLLAR	2
.	.	112743 CN-ASSY. INSTRUCT.	1
B	109431	90 LB. WEIGHTKIT	1
.	.	(NOTE: THIS WEIGHTKIT	0
.	.	SHIPS WITH 9 PIECES OF	0
.	.	KEY #56.)	0
C	104093	STABILIZER DECAL	1
D	110815	RIGHT FRAME DECAL	1
E	NLA	LEFT FRAME DECAL	1
F	104838	GREASE	1
G	111222	PART ID CHART	1
H	110814	EXERCISE MANUAL	1
I	110812	OWNER'S MANUAL	1
.	110677	LITERATURE PACKET	1
.	.	110812 OWNER'S MANUAL	1
.	.	110814 EXERCISE MANUAL	1
.	.	111222 PART ID CHART	1
.	.	104838 GREASE	1
.	110730	HARDWARE KIT	1
.	.	013456 1/4 X 3/4" BOLT	4
.	.	013369 3/8 X 1 1/2" BOLT	1
.	.	103045 3/8 X 2 1/2" BOLT	5
.	.	013519 3/8 X 3" BOLT	1
.	.	013564 3/8 X 1 3/4" BOLT	7

MODEL NUMBER: PF83222  
 VERSION: 00  
 PRODUCT NAME: PROFORM SYSTEM 2  
 PRODUCT DESC:

MODEL/PART BOOK LISTING

PAGE 3  
 INI023P1  
 RUN DATE: 1/31/97  
 RUN TIME: 9:50:24

KEY NUMBER	PART NUMBER	DESCRIPTION	QUANTITY
.	.	105329 3/8 X 2 3/4" BOLT	8
.	.	104049 3/8 X 3 1/2" BOLT	6
.	.	101263 3/8 X 4" BOLT	1
.	.	013341 1/4 X 2 1/2" BOLT	4
.	.	105134 3/8 X 3/4" BOLT	2
.	.	108674 CARRIAGE BOLT	2
.	.	012108 3/8" NYLOCK NUT	31
.	.	012159 3/8" NUT	2
.	.	014062 1/4" LOCK WASHER	8
.	.	014087 3/8" WASHER	16
.	.	109693 LEG LEVER PIN	1
.	.	110468 3/8" LOCK WASHER	2
.	.	110723 PULL PIN	2
.	.	110698 PRESS ARM AXLE	1
.	.	107048 ANKLE STRAP	1
.	.	111000 PRESS ARM BUSHING	2
.	.	109989 PEDAL BUSHING	4
.	.	103735 LARGE AXLECAP, 3/4"	2
.	.	105309 SPACER	4
.	.	103087 CABLE HOOK	2
.	.	105315 CHAIN	1
.	.	103833 RAIL ENDCAP	1
.	.	111175 PULLEY	16
.	.	111470 PULLEY BUSHING	16
.	.	108726 PAD POST	2
.	.	111097 FRAME ENDCAP	1
.	.	110722 BTRFLY SPRT ENDCAP	2
.	.	110726 WT TUBE ENDCAP	1
.	.	105433 WEIGHT BUMPER	2
.	.	100150 SMALL AXLECAP, 1/2	3
.	110852	CABLE KIT	1
.	.	110290 WT CABLE, 85.4" L	1
.	.	109461 UPPER CBL, 124.6"L	1
.	.	110737 LONG CBL, 160.0" L	1
.	.	101138 5/16" JAM NUT	2
.	.	014041 5/16" WASHER	1
.	.	*--THESE ARE ESTIMATED	0
.	.	COSTS!!!!	0