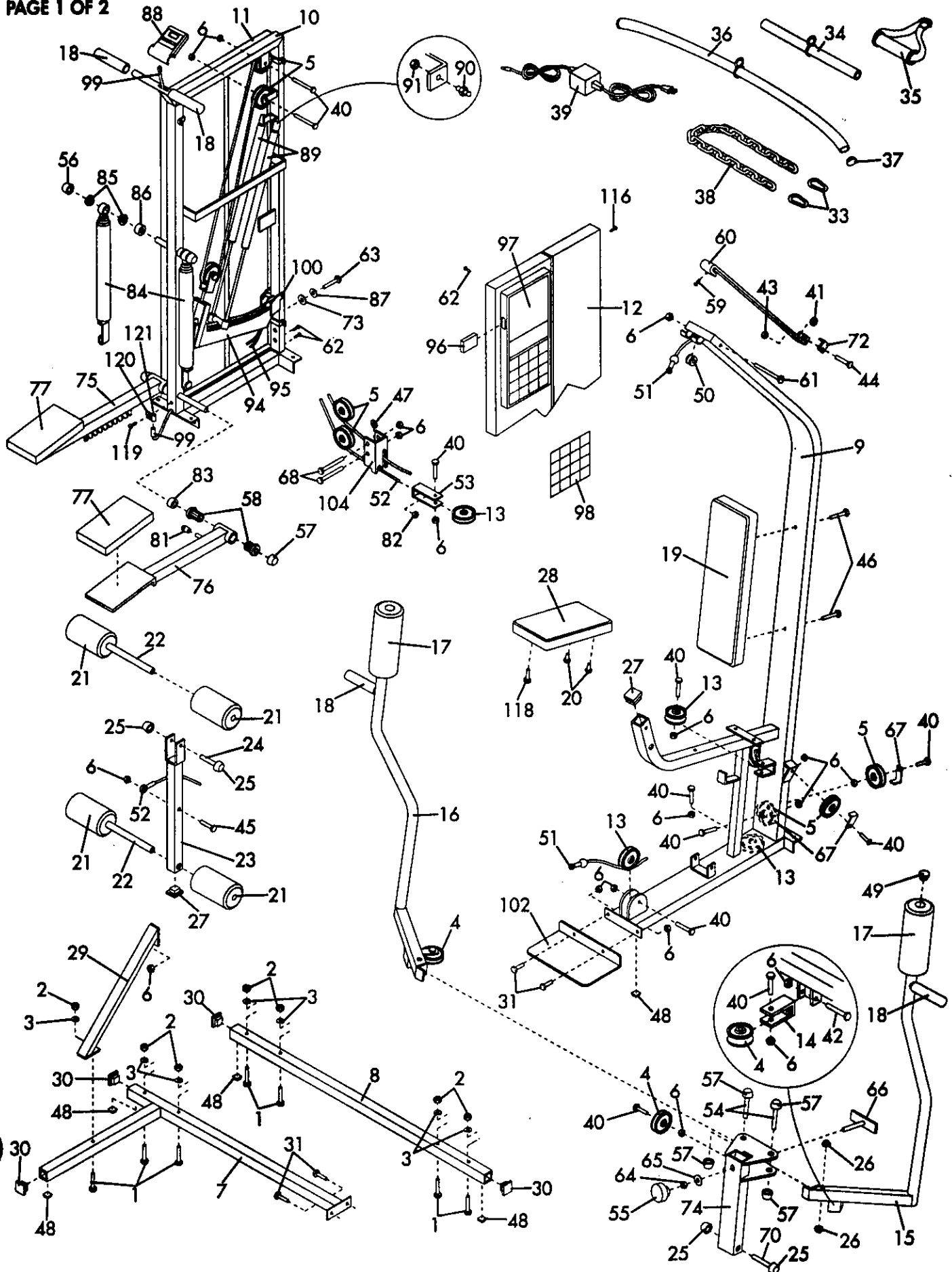


# EXPLODED DRAWING—MODEL NO. PF852040

R494A

PAGE 1 OF 2



MODEL NUMBER: PF85204  
VERSION: 00  
PRODUCT NAME: CROSS TRAINER  
PRODUCT DESC:

MODEL/PART BOOK LISTING

PAGE 2  
IMI023P1  
RUN DATE: 10/23/96  
RUN TIME: 13:48:35

KEY NUMBER	PART NUMBER	DESCRIPTION	QUANTITY
52	117926	WEIGHT CABLE	1
53	117260	ADJUSTMENT BRACKET	1
54	117913	3/4" X 4" AXLE W/HDWR	1
55	117489	SELECTOR KNOB	1
.	.	NOTE: A 3MM ALLEN WRENCH	0
.	132283	MAY BE NEEDED #132283.	0
56	100151	5/8" AXLECAP	2
57	103735	3/4" AXLECAP	6
58	109867	PLASTIC BUSHING	4
59	013162	1/2" SCREW	1
60	116181	LONG PULLEY BRACKET	1
61	115260	3/8" X 6 1/2" BOLT	1
62	013322	3/4" SCREW	9
63	111064	3/8" X 2" FULL THREAD BOLT	1
64	012127	3/8" JAM NUT	1
65	114958	RUBBER WASHER	1
66	117127	SELECTOR PLATE	1
67	115257	CABLE TRAP BRACKET	4
68	013430	3/8" X 4" BOLT	2
69	116065	MECH REED SWITCH BRACKET	1
70	117904	1/2" X 4 1/2" AXLE W/HDWR	1
71	113795	WEIGHT MECH FASTENER	4
72	116630	SMALL CABLE TRAP BRACKET	1
73	105133	3/8" NUT	1
74	117915	MOMENT ARM W/HDWR	1
75	117916	LEFT PEDAL W/HDWR	1
76	117917	RIGHT PEDAL W/HDWR	1
77	107148	PEDAL COVER	2
78	012135	NYLOC NUT	2
79	116109	7/8" SCREW	2
80	116048	ACTUATOR ARM	1
81	113349	MAGNET ASSEMBLY	1
82	012003	5/16" NUT	1
83	105101	3/4" METAL SPACER	2
84	116910	RESISTANCE CYLINDER	2
85	109872	5/8" BUSHING	4
86	117919	5/8" SPACER W/HDWR	2
87	101149	3/8" FENDER WASHER	1
88	115126	STEPPER CONSOLE	1
89	107367	GAS SHOCK	2
90	105142	BALL JOINT FASTENER	4
91	012082	5/16" NYLOC NUT	2
92	013510	3/4" SELF-TAP SCREW	3
93	115100	3/8" X 3 1/2" CLEVIS PIN	1
94	117920	WEIGHT MECHANISM	1
94A	117303	MECH ARM	1
95	117921	WIRE HARNESS	1
96	115199	CUSTOM SMART CARD	1
97	117298	PERSON TRAINER COMPUTER	1
98	117323	POP-IN OVERLAY	1
99	117903	REED SWITCH WIRE	1
100	117305	MECH ADJUSTMENT BRACKET	1
101	117914	MECH CABLE BRACKET W/HDWR	1
102	117037	FOOT PLATE	1

MODEL NUMBER: PF85204  
VERSION: 00  
PRODUCT NAME: CROSS TRAINER  
PRODUCT DESC:

MODEL/PART BOOK LISTING

PAGE 3  
INI023P1  
RUN DATE: 10/23/96  
RUN TIME: 13:48:35

KEY NUMBER	PART NUMBER	DESCRIPTION	QUANTITY
103	117263	U-BRACKET	1
104	117881	CABLE STOP BRACKET	1
105	104345	STAR WASHER	2
106	115124	MECH REED SWITCH	1
107	014153	FLAT WASHER	1
108	109568	SLIDE NUT	1
109	116049	RETAINER CUP	1
110	117905	LEAD SCREW ASSEMBLY	1
111	105122	5/16" PUSH NUT	1
112	115131	MECH MOTOR	1
113	016029	WIRE TIE	1
114	115110	MECH ENCODER DISK	1
115	019266	NYLON SPACER	2
116	117738	SIDE SHIELD FASTENER	8
117	123653	3/8" X 3" CARRIAGE BOLT	1
118	013498	1/4" X 2" BOLT	1
119	013300	3/4" SCREW	1
120	117701	REED SWITCH BRACKET	1
121	117900	REED SWITCH FASTENER	1
.	.	NON-ILLUSTRATED PARTS	0
#	132283	3MM ALLEN WRENCH	1
#	130897	SEAT TUBE HOLE FIX KIT	1
#	119828	UPRT NUT-SERT REPAIR KIT	1
#	115553	SIDESHIELD DECAL	2
#	117499	MOMENT ARM DECAL	1
#	117538	PEDAL DECAL	1
#	117508	DECAL,AI,DO NOT ..	1
#	113764	HOT! DO NOT TOUCH DECAL	1
#	033134	STEPPER CONSOLE BATTERY	2
#	106739	STEPPER CONSOLE CVR SCREW	2
#	117837	VIDEO CASSETTE	1
#	111465	FITNESS JOURNAL	1
#	117879	OWNER'S MANUAL	1
#	117880	LITERATURE PACKET	1
.	.	117879 OWNER'S MANUAL	1
.	.	117912 PART LIST/EX DWG	1
.	.	115199 SMART CARD	1
.	.	116186 SMART CARD BROCHUR	1
.	.	117322 EXERCISES DECAL	1
.	.	111465 FITNESS JOURNAL	1
.	.	117837 VIDEO TRAIN GUIDE	1
.	.	117323 CUSTOM OVERLAY	1
#	117156	HARDWARE KIT-BLISTER PAK	1
.	.	112003 3/8"X2.5"CRG BOLT	7
.	.	118004 CHAIN	1
.	.	103087 CABLE CLIP	2
.	.	112004 3/8" NUT	7
.	.	012003 5/16" NUT	1
.	.	115177 STRAP	1
.	.	112006 3/8" LOCK WASHER	7
.	.	117332 3/8" X 3/4" SCREW	4
.	.	013468 1/4" X 5/8" SCREW	7
.	.	013498 1/4" X 2" SCREW	1
.	.	013399 3/8"X1 3/4" SCREW	7

MODEL NUMBER: PF85204  
VERSION: 00  
PRODUCT NAME: CROSS TRAINER  
PRODUCT DESC:

MODEL/PART BOOK LISTING

RUN DATE: 10/23/96  
RUN TIME: 13:48:35

KEY NUMBER	PART NUMBER	DESCRIPTION	QUANTITY
.	.	115370 3 1/2" PULLEY	3
.	.	106480 2 3/4" PULLEY	1
.	.	117737 2" PULLEY	3
.	.	115257 CABLE TRAP BRACKET	3
.	.	019115 RUBBER BUMPER	5
.	.	118117 4" AXLE	2
.	.	103735 3/4" AXLECAP	5
.	.	013578 3/8"X2 1/4" SCREW	1
.	.	116185 1/4"X2 1/2" SCREW	2
.	.	012149 3/8" NUT	11
.	.	NOTE: THESE PREPROGRAMMED	0
.	.	SMART CARDS ARE AVAILABLE	0
.	.	FOR SEPARATE PURCHASE	0
.	.	DR80013 AGE 9-12 GENERAL	1
.	.	DR80023 AGE 13-16 MALE	1
.	.	DR80133 AGE 13-16 FEMALE	1
.	.	DR80033 AGE 17-35 MALE	1
.	.	DR80043 AGE 17-35 FEMALE	1
.	.	DR80053 AGE 36-55 MALE	1
.	.	DR80063 AGE 36-55 FEMALE	1
.	.	DR80073 AGE 56+ MALE	1
.	.	DR80083 AGE 56+ FEMALE	1
.	.	DR80093 RACKET SPORTS	1
.	.	DR80103 FIELD SPORTS	1
.	.	DR80113 TRACK SPORTS	1
.	.	DR80123 GOLF	1