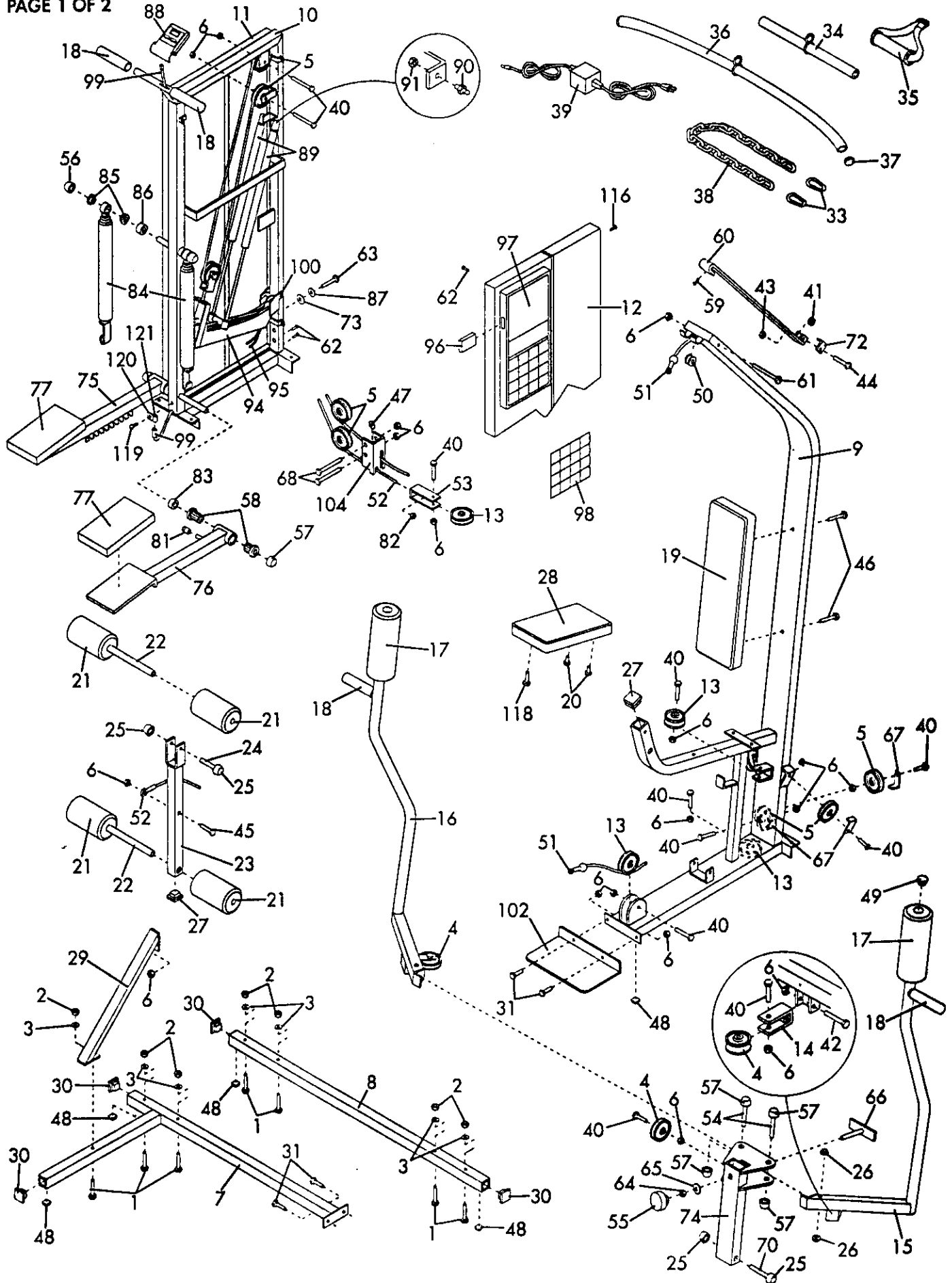


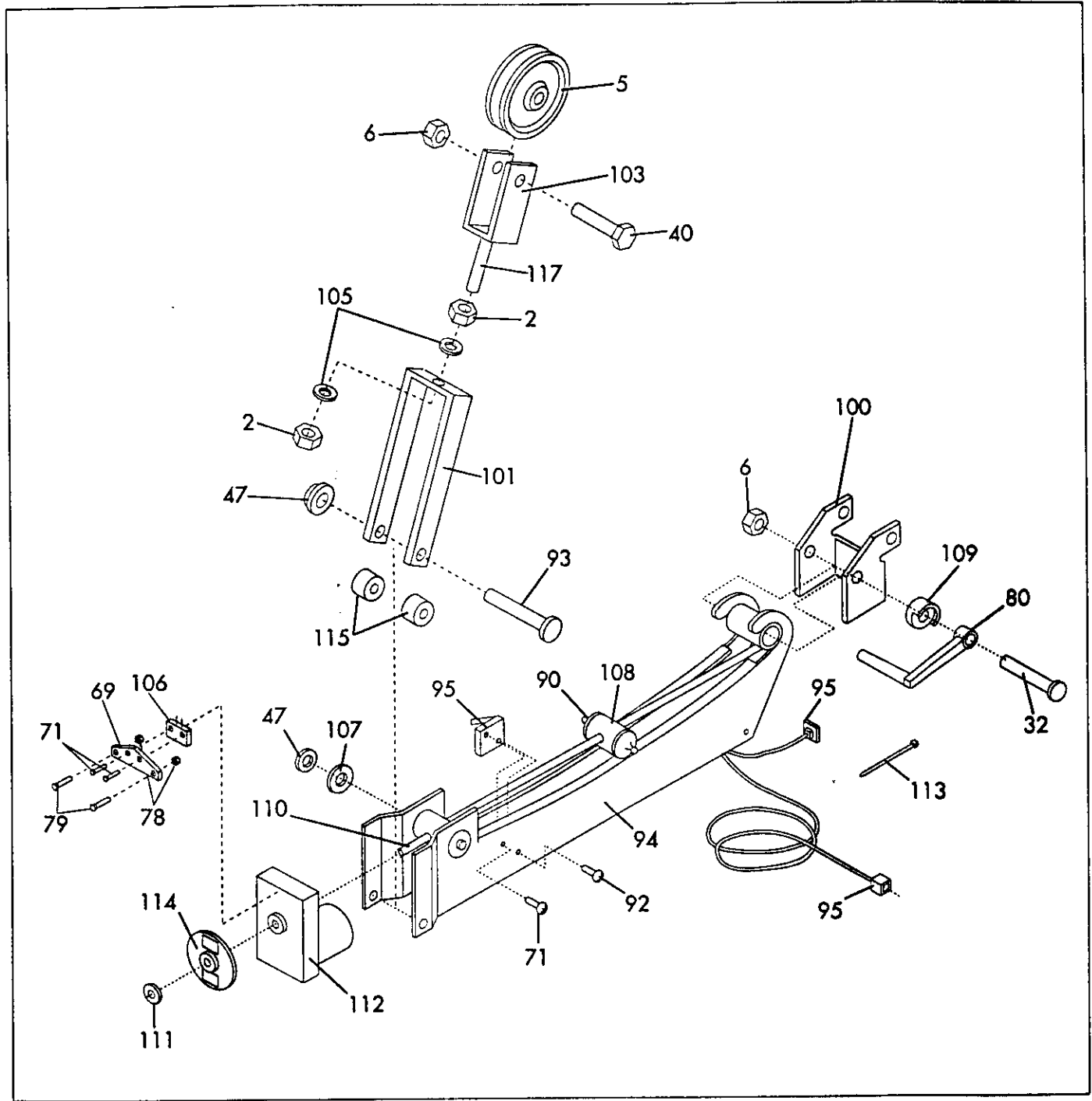
# EXPLODED DRAWING—MODEL NO. PF852041

R594A

PAGE 1 OF 2



## WEIGHT MECHANISM ASSEMBLY



MODEL NUMBER: PF85204  
 VERSION: 01  
 PRODUCT NAME: CROSS TRAINER  
 PRODUCT DESC:

MODEL/PART BOOK LISTING

RUN DATE: 10/23/96  
 RUN TIME: 13:48:33

KEY NUMBER	PART NUMBER	DESCRIPTION	QUANTITY
.	.	**SEND EUROPEAN UPDATE**	0
.	.	PROFORM CROSS TRAINER	0
1	112003	3/8" X 2 1/2" CARR BOLT	7
2	112004	3/8" NUT	10
3	112006	3/8" LOCK WASHER	7
4	117737	2" PULLEY	3
5	115370	3 1/2" PULLEY	9
6	012149	3/8" NYLOCK NUT	25
7	117120	FRONT BASE	1
8	116746	REAR BASE	1
9	116742	UPRIGHT	1
10	NSP	TOWER FRAME	1
11	119583	LEFT SIDESHIELD W/DECAL	1
.	.	118187 LEFT SIDESHIELD	1
.	.	115553 SIDESHIELD DECAL	1
12	119584	RIGHT SIDESHIELD W/DECAL	1
.	.	118186 RIGHT SIDESHIELD	1
.	.	115553 SIDESHIELD DECAL	1
.	.	117508 DO NOT... DECAL	1
13	106480	2 3/4" PULLEY	4
14	117732	SWIVEL BRACKET	2
15	117908	LEFT ARM ASSEMBLY	1
.	.	117126 LEFT ARM	1
.	.	109989 BRASS BUSHING	2
.	.	103735 3/4" AXLECAP	2
.	.	111374 REPLACEMENT INSTR.	1
16	117909	RIGHT ARM ASSEMBLY	1
.	.	117124 RIGHT ARM	1
.	.	109989 BRASS BUSHING	2
.	.	103735 3/4" AXLECAP	2
.	.	111374 REPLACEMENT INSTR.	1
17	114797	LARGE PAD	2
18	112560	GRIP	4
19	117104	BACKREST	1
20	013468	1/4" X 5/8" BOLT	2
21	114798	SMALL PAD	4
22	108726	PAD TUBE	2
23	117910	LEG DEVELOPER ASSEMBLY	1
.	.	117130 LEG DEVELOPER	1
.	.	103903 1/2" AXLECAP	2
.	.	111374 REPLACEMENT INSTR.	1
24	116913	1/2" X 2 1/2" AXLE ASSY.	1
.	.	100051 AXLE	1
.	.	103903 1/2" AXLECAP	1
.	.	111374 REPLACEMENT INSTR.	1
25	103903	1/2" PLASTIC CAP	4
26	109989	3/4" BRASS BUSHING	4
27	103833	1 1/2" X 1 1/2" CAP	2
28	117099	SEAT	1
29	116149	BRACE	1
30	108874	2" X 2" CAP	4
31	117332	3/8" X 3/4" BOLT	4
32	106879	3/8" X 3" BOLT	1
33	103087	CABLE CLIP	2

MODEL NUMBER: PF85204  
VERSION: 01  
PRODUCT NAME: CROSS TRAINER  
PRODUCT DESC:

MODEL/PART BOOK LISTING

PAGE 2  
INI023P1  
RUN DATE: 10/23/96  
RUN TIME: 13:48:33

KEY NUMBER	PART NUMBER	DESCRIPTION	QUANTITY
34	107281	ROWER BAR	1
35	115177	STRAP	1
36	115115	LAT BAR	1
37	106526	1 1/4" CAP	2
38	118004	CHAIN	1
39	109954	TRANSFORMER	1
40	013399	3/8" X 1 3/4" BOLT	14
41	115762	1" PULLEY	1
42	.	SEE KEY #68	0
43	012139	1/4" NYLOCK NUT	1
44	117106	1/4" X 1" SHOULDER BOLT	1
45	013578	3/8" X 2 1/4" BOLT	1
46	116185	1/4" X 2 1/2" BOLT	3
47	105496	3/8" HAT CAP	4
48	129740	RUBBER PAD	5
49	115998	1 1/2" INTERNAL CAP	2
50	117541	2" ROLLER	1
51	117927	MAIN CABLE	1
52	117926	WEIGHT CABLE	1
53	117260	ADJUSTMENT BRACKET	1
54	117913	3/4" X 4" AXLE ASSEMBLY	2
.	.	118117 AXLE	1
.	.	103735 3/4" AXLECAP	2
.	.	111374 REPLACEMENT INSTR.	1
55	117489	SELECTOR KNOB	1
.	.	NOTE: A 3MM ALLEN WRENCH	1
.	132283	MAY BE NEEDED #132283.	0
56	100151	5/8" PLASTIC CAP	2
57	103735	3/4" PLASTIC CAP	7
58	109867	PLASTIC BUSHING ASSEMBLY	4
.	.	100048 BUSHING	1
.	.	103735 AXLECAP	1
59	013162	1/2" PAN SCREW	3
60	116181	LONG PULLEY BRACKET	1
61	115260	3/8" X 6 1/2" BOLT	1
62	013322	3/4" TAP SCREW	10
63	116215	3/8" X 1 1/2" BOLT	1
64	.	SEE KEY #2	0
65	114958	RUBBER WASHER	1
66	117127	LOCKING PLATE	1
67	115257	CABLE TRAP BRACKET	4
68	013430	3/8" X 4" BOLT	4
69	116065	REED SWITCH BRACKET	1
70	120446	1/2" X 4 1/2" AXLE ASSY.	1
.	.	118118 AXLE	1
.	.	103903 AXLECAP	1
.	.	111374 REPLACEMENT INSTR.	1
71	113795	FASTENER	4
72	116630	SMALL CABLE TRAP BRACKET	1
73	105133	3/8" ZINC JAM NUT	1
74	117915	MOMENT ARM ASSEMBLY	1
.	.	117122 MOMENT ARM	1
.	.	103903 1/2" AXLECAP	2
.	.	103735 3/4" AXLECAP	4

MODEL NUMBER: PF85204  
 VERSION: 01  
 PRODUCT NAME: CROSS TRAINER  
 PRODUCT DESC:

MODEL/PART BOOK LISTING

INFO23P1  
 RUN DATE: 10/23/96  
 RUN TIME: 13:48:33

KEY NUMBER	PART NUMBER	DESCRIPTION	QUANTITY
		114634 MECH CABLE BRACKET	1
		105496 3/8" PUSH NUT	1
		111374 REPLACEMENT INSTR.	1
102	117037	FOOT PLATE	1
103	117262	U-BRACKET	1
104	117881	CABLE BRACKET	1
105	104345	STAR WASHER	2
106	115124	MECHANISM REED SWITCH	1
107	014153	FLAT WASHER	1
108	109568	SLIDE NUT	1
109	116049	RETAINER CUP	1
110	117905	LEAD SCREW ASSEMBLY	1
		122273 LEAD SCREW	1
		118167 RETAINER CLIP	1
		118166 RETAINER WASHER	1
		105119 SNAP RING	1
111	105122	5/16" PUSH NUT	1
112	115131	MECHANISM MOTOR ASSEMBLY	1
		115124 REED SWITCH WIRE	1
		115123 MOTOR	1
		115110 ENCODER DISK	1
113	016029	WIRE TIE	1
114	115110	MECHANISM ENCODER DISK	1
115	019266	NYLON SPACER	2
116	117738	SIDESHIELD FASTENER	8
117	123653	3/8" X 3" CARRIAGE BOLT	1
118	013498	1/4" X 2" BOLT	1
119	013300	3/4" SCREW	1
120	117900	REED SWITCH BRACKET	1
121	117701	REED SWITCH FASTENER	1
		NON-ILLUSTRATED PARTS	0
#	132283	3MM ALLEN WRENCH	1
#	130897	SEAT TUBE HOLE FIX KIT	1
#	119828	UPRT NUT-SERT REPAIR KIT	1
#	033134	STEPPER CONSOLE BATTERY	2
#	106739	STEPPER CONSOLE CVR SCREW	2
#	111000	1/2" BRASS BUSHING	2
#	106718	SMALL CABLE TRAP	1
#	014132	3/8" FLAT WASHER	1
#	106832	FLAT NYLON WASHER	1
#	116571	3/4" ENDCAP	4
#	117322	CUSTOM EXERCISE DECAL SHT	1
#	107622	WARNING DECAL	1
#	117508	WARNING DECAL	1
#	115553	SIDESHIELD DECAL	2
#	117538	L/R PEDAL DECAL SET	1
#	113764	HOT DO NOT TOUCH DECAL	1
#	117499	MOMENT ARM DECAL	1
#	NLA	LEG EXTENSION DECAL	1
#	117837	VIDEO	1
#	111465	FITNESS JOURNAL	1
#	119389	PART LIST/EXP DRAWING	1
#	120570	USER'S MANUAL, SPANISH	1
#	119388	OWNER'S MANUAL	1

MODEL NUMBER: PF85204  
 VERSION: 01  
 PRODUCT NAME: CROSS TRAINER  
 PRODUCT DESC:

MODEL/PART BOOK LISTING

PAGE 4  
 INI023P1  
 RUN DATE: 10/23/96  
 RUN TIME: 13:48:33

KEY NUMBER	PART NUMBER	DESCRIPTION	QUANTITY
.	.	114634 MECH CABLE BRACKET	1
.	.	105496 3/8" PUSH NUT	1
.	.	111374 REPLACEMENT INSTR.	1
102	117037	FOOT PLATE	1
103	117262	U-BRACKET	1
104	117881	CABLE BRACKET	1
105	104345	STAR WASHER	2
106	115124	MECHANISM REED SWITCH	1
107	014153	FLAT WASHER	1
108	109568	SLIDE NUT	1
109	116049	RETAINER CUP	1
110	117905	LEAD SCREW ASSEMBLY	1
.	.	122273 LEAD SCREW	1
.	.	118167 RETAINER CLIP	1
.	.	118166 RETAINER WASHER	1
.	.	105119 SNAP RING	1
111	105122	5/16" PUSH NUT	1
112	115131	MECHANISM MOTOR ASSEMBLY	1
.	.	115124 REED SWITCH WIRE	1
.	.	115123 MOTOR	1
.	.	115110 ENCODER DISK	1
113	016029	WIRE TIE	1
114	115110	MECHANISM ENCODER DISK	1
115	019266	NYLON SPACER	2
116	117738	SIDESHIELD FASTENER	8
117	123653	3/8" X 3" CARRIAGE BOLT	1
118	013498	1/4" X 2" BOLT	1
119	013300	3/4" SCREW	1
120	117900	REED SWITCH BRACKET	1
121	117701	REED SWITCH FASTENER	1
.	.	NON-ILLUSTRATED PARTS	0
#	132283	3MM ALLEN WRENCH	1
#	130897	SEAT TUBE HOLE FIX KIT	1
#	119828	UPRT NUT-SERT REPAIR KIT	1
#	033134	STEPPER CONSOLE BATTERY	2
#	106739	STEPPER CONSOLE CVR SCREW	2
#	111000	1/2" BRASS BUSHING	2
#	106718	SMALL CABLE TRAP	1
#	014132	3/8" FLAT WASHER	1
#	106832	FLAT NYLON WASHER	1
#	116571	3/4" ENDCAP	4
#	117322	CUSTOM EXERCISE DECAL SHT	1
#	107622	WARNING DECAL	1
#	117508	WARNING DECAL	1
#	115553	SIDESHIELD DECAL	2
#	117538	L/R PEDAL DECAL SET	1
#	113764	HOT DO NOT TOUCH DECAL	1
#	117499	MOMENT ARM DECAL	1
#	NLA	LEG EXTENSION DECAL	1
#	117837	VIDEO	1
#	111465	FITNESS JOURNAL	1
#	119389	PART LIST/EXP DRAWING	1
#	120570	USER'S MANUAL, SPANISH	1
#	119388	OWNER'S MANUAL	1

MODEL NUMBER: PF85204  
 VERSION: 01  
 PRODUCT NAME: CROSS TRAINER  
 PRODUCT DESC:

MODEL/PART BOOK LISTING

PAGE 5  
 INI023P1  
 RUN DATE: 10/23/96  
 RUN TIME: 13:48:33

KEY NUMBER	PART NUMBER	DESCRIPTION	QUANTITY
.	119435	LITERATURE PACKET	1
.	.	119388 OWNER'S MANUAL	1
.	.	119389 PART LIST/DWG	1
.	.	115199 CUSTOM SMART CARD	1
.	.	116186 SMART CARD LIT	1
.	.	111465 FITNESS JOURNAL	1
.	.	117837 VIDEO	1
.	.	117323 CUSTOM OVERLAY	1
.	.	117322 CUSTOM EX. DECAL	1
.	118468	HARDWARE KIT,BLISTERPAK	1
.	.	112003 2.5" CARRIAGE BOLT	7
.	.	118004 CHAIN	1
.	.	103087 SNAP HOOK	2
.	.	112004 3/8" HEX NUT	7
.	.	012003 5/16" HEX NUT	1
.	.	115177 ANKLE STRAP	1
.	.	112006 LOCK WASHER	7
.	.	117332 3/8"X.75" BOLT	4
.	.	013468 1/4"X5/8" BOLT	2
.	.	013498 1/4"X2" BOLT	1
.	.	013399 3/8"X1.75" BOLT	6
.	.	115370 PULLEY	2
.	.	106480 PULLEY	1
.	.	117737 PULLEY	3
.	.	115257 BRACKET	2
.	.	019115 BUMPON	5
.	.	118117 AXLE	2
.	.	103735 3/4" AXLECAP	5
.	.	013581 3/8"X2.5" BOLT	1
.	.	116185 1/4"X2.5" BOLT	2
.	.	012149 3/8" HEX NUT	10
.	.	106832 FLAT WASHER	2
.	.	121636 LIT, AXLECAP ASSY	1
.	.	NOTE: THESE PREPROGRAMMED	0
.	.	SMART CARDS ARE AVAILABLE	0
.	.	FOR SEPARATE PURCHASE:	0
.	.	DR80013 AGE 9-12 GENERAL	1
.	.	DR80023 AGE 13-16 MALE	1
.	.	DR80133 AGE 13-16 FEMALE	1
.	.	DR80033 AGE 17-35 MALE	1
.	.	DR80043 AGE 17-35 FEMALE	1
.	.	DR80053 AGE 36-55 MALE	1
.	.	DR80063 AGE 36-55 FEMALE	1
.	.	DR80073 AGE 56+ MALE	1
.	.	DR80083 AGE 56+ FEMALE	1
.	.	DR80093 RACKET SPORTS	1
.	.	DR80103 FIELD SPORTS	1
.	.	DR80113 TRACK SPORTS	1
.	.	DR80123 GOLF	1