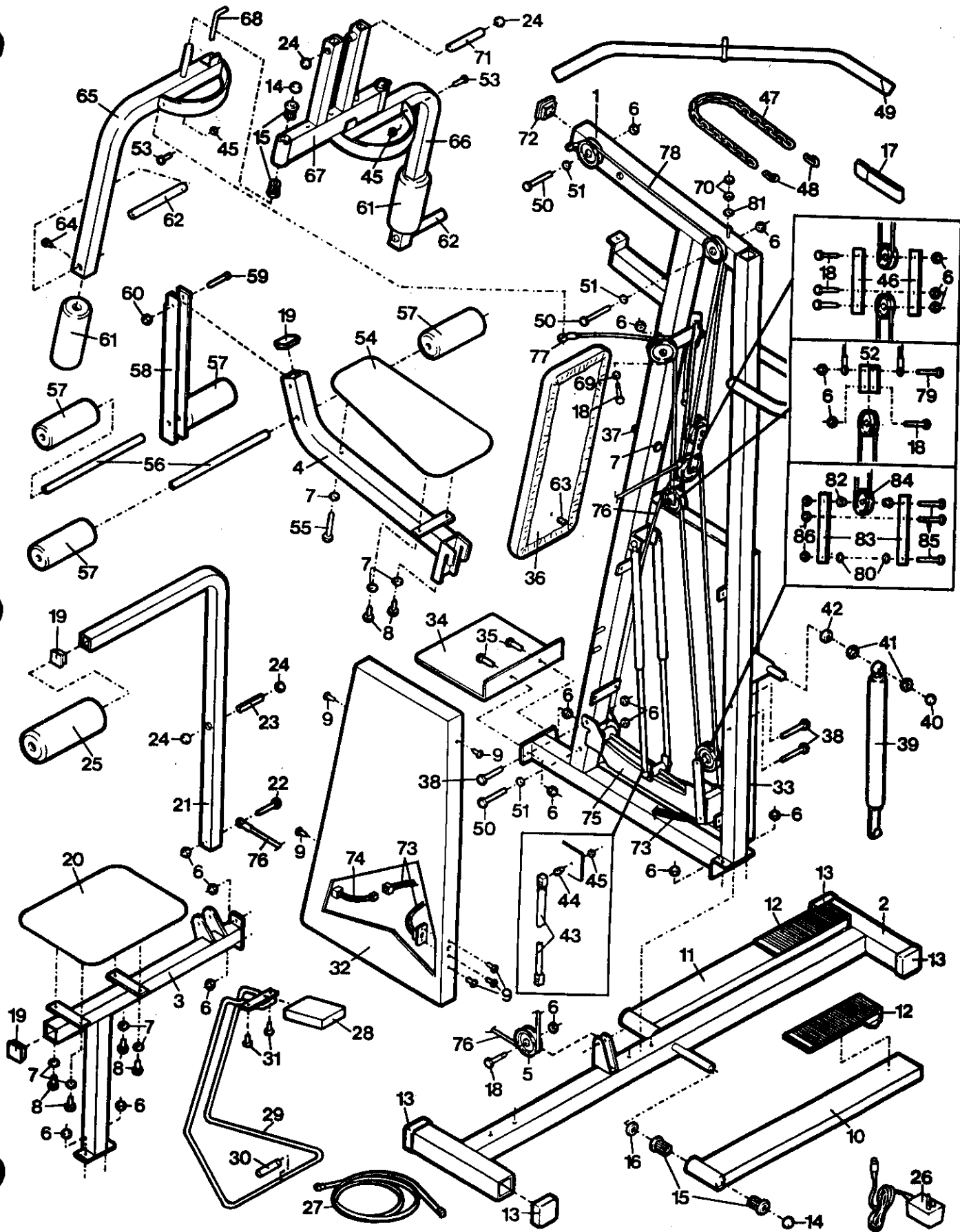


EXPLODED DRAWING—Model No. PF853020

Rev. 7/92



MODEL NUMBER: PF85302
 VERSION: 00
 PRODUCT NAME: PROFORM EDGE 3001
 PRODUCT DESC:

MODEL/PART BOOK LISTING

PAGE 1
 INI023P1
 RUN DATE: 10/17/96
 RUN TIME: 11:10:51

KEY NUMBER	PART NUMBER	DESCRIPTION	QUANTITY
1	NSP	FRAME	1
2	111087	STABILIZER W/DECAL *	1
.	.	108825 STABILIZER	1
.	.	104093 STABILIZER DECAL	1
3	108861	AB SEAT FRAME *	1
4	112207	PRESS SEAT FRAME ASSY. *	1
.	.	108834 PRESS SEAT FRAME	1
.	.	103833 SEAT FRAME ENDCAP	1
.	.	112938 CN-SEAT FRAME	1
5	109876	PULLEY W/CONSUMER NOTICE*	9
.	.	108192 PULLEY	1
.	.	109874 CONSUMER NOTICE	1
6	012108	LARGE NYLOCK NUT, 3/18-16"	21
7	014062	1/4" LOCK WASHER	8
8	013456	SEAT BOLT, 1/4X3/4"	6
9	013540	SIDE SHIELD SCREW, #8X3/4"	10
10	109865	LEFT PEDAL ASSEMBLY *	1
.	.	108714 LEFT PEDAL	1
.	.	100048 LARGE BUSHING	2
.	.	106872 PEDAL COVER ASSY.	1
.	.	103735 PEDAL AXLECAP, 3/4"	1
.	.	108614 LEFT PEDAL DECAL	1
11	109866	RIGHT PEDAL ASSEMBLY *	1
.	.	108719 RIGHT PEDAL	1
.	.	100048 LARGE BUSHING	2
.	.	106872 PEDAL COVER ASSY.	1
.	.	103735 PEDAL AXLECAP, 3/4"	1
.	.	108614 RIGHT PEDAL DECAL	1
12	106872	PEDAL COVER ASSEMBLY	2
.	.	111572 PEDAL COVER	1
.	.	105884 TAPE	4
13	105723	STABILIZER ENDCAP 2X2"	4
14	103735	AXLECAP, 3/4"	4
15	109867	LARGE BSHG SET W/AXLECAP*	4
.	.	100048 LARGE BUSHING	2
.	.	103735 AXLECAP, 3/4"	1
16	109868	PEDAL SPACER W/AXLECAP *	2
.	.	105101 PEDAL SPACER	1
.	.	103735 AXLECAP, 3/4"	1
17	107048	ANKLE STRAP	1
18	013564	3/8" X 1 3/4"L BOLT	7
19	103833	ENDCAP, 1.5X1.5"	3
20	108729	AB SEAT *	1
21	109869	AB ARM W/AXLECAP *	1
.	.	108867 AB ARM	1
.	.	103903 ARM AXLECAP, 1/2"	2
.	.	108614 AB ARM DECAL	1
22	013574	AB ARM BOLT, 3/8X2 1/4"	1
23	109870	AB ARM AXLE W/AXLECAP *	1
.	.	109172 AB ARM "D" AXLE	1
.	.	103903 AXLECAP, 1/2"	2
24	103903	AB ARM AXLECAP, 1/2"	4
25	104705	AB ARM PAD	1
26	101067	POWER CORD	1

MODEL NUMBER: PF85302
VERSION: 00
PRODUCT NAME: PROFORM EDGE 3001
PRODUCT DESC:

MODEL/PART BOOK LISTING

PAGE 2
INI023P1
RUN DATE: 10/17/96
RUN TIME: 11:10:51

KEY NUMBER	PART NUMBER	DESCRIPTION	QUANTITY
27	106786	HAND CONTROL CORD	1
28	105922	HAND CONTROL	1
29	108982	HAND CONTROL STAND ASSY.*	1
.	.	107563 HAND CONTROL STAND	1
.	.	108673 SLEEVE	1
.	.	108980 CONSUMER NOTICE	1
30	108673	PLASTIC SLEEVE	1
31	103860	HAND CONTROL SCREW,#4X1/2	2
32	108819	LEFT SIDE SHIELD *	1
33	108824	RIGHT SIDE SHIELD *	1
34	108832	FOOT PLATE *	1
35	105134	FOOT PLATE BOLT, 3/8X3/4"	2
36	105318	BACK REST	1
37	013341	BACK REST BOLT,1/4X2 1/2"	1
38	013519	FRAME BOLT, 3/8X3"	3
39	109871	RES. CYLINDER ASSEMBLY	2
.	.	109398 RES. CYLINDER	1
.	.	100151 RES. CYL. AXLECAP	1
.	.	109591 RESIST. CYL. DECAL	1
40	100151	RES. CYL. AXLECAP, 5/8"	2
41	109872	RES CYL BSHGS W/AXLECAP *	2
.	.	109399 BUSHING SET	1
.	.	100151 AXLECAP, 5/8"	1
42	109873	RES CYL. SPCR W/AXLECAP *	2
.	.	110643 RES. CYL. SPACER	1
.	.	100151 AXLECAP, 5/8"	1
43	107367	GAS SHOCK ASSEMBLY	2
.	.	105136 GAS SHOCK	1
.	.	107050 OIL ABSORBENT PAD	1
.	.	016029 PLASTIC TIE CLAMP	1
.	.	108184 CONSUMER NOTICE	1
44	105142	BALL JOINT	2
45	012082	SMALL NUT, 5/16-18"	4
46	109875	PULLEY I-PLATE W/CN *	2
.	.	108816 PULLEY I-PLATE BKT	2
.	.	109874 CONSUMER NOTICE	1
47	105315	CHAIN	1
48	103087	CABLE CLIP	2
49	105311	LAT BAR	1
50	104049	LONG PULLEY BOLT, 3.5"L	3
51	105495	PULLEY WASHER, 3/8"	3
52	109877	U-BRACKET W/NOTICE *	1
.	.	105300 U-BRACKET	1
.	.	109874 CONSUMER NOTICE	1
53	013303	BUTTERFLY BOLT, 5/16X1"	2
54	105376	SEAT	1
55	013498	LONG SEAT BOLT, 1/4X2"	1
56	108726	PAD BAR	2
57	103805	SMALL FOAM PAD	4
58	109878	LEG LEVER ASSEMBLY *	1
.	.	111405 LEG LEVER	1
.	.	100150 AXLECAP, 1/2"	1
.	.	108614 LEG LEVER DECAL	1
59	107653	LEG LEVER PIN W/AXLECAP	1

MODEL NUMBER: PF85302
VERSION: 00
PRODUCT NAME: PROFORM EDGE 3001
PRODUCT DESC:

MODEL/PART BOOK LISTING

PAGE 3
INI023P1
RUN DATE: 10/17/96
RUN TIME: 11:10:51

KEY NUMBER	PART NUMBER	DESCRIPTION	QUANTITY
.	.	105381 LEG LEVER PIN	1
.	.	100150 LEG LEVER AXLECAP	1
60	100150	LEG LEVER AXLECAP, 1/2"	1
61	108860	BUTTERFLY PAD *	2
62	109412	PRESS HANDLE *	2
63	110265	BACK REST FASTENER	1
64	103502	PRESS HANDLE SCREW	2
65	111321	LEFT BUTTERFLY ARM ASSY *	1
.	.	108851 LEFT BTRFLY ARM	1
.	.	103735 AXLECAP, 3/4"	1
66	111320	RIGHT BUTTERFLY ARM ASSY*	1
.	.	108858 RIGHT BTRFLY ARM	1
.	.	103735 AXLECAP, 3/4"	1
67	109879	SUPPORT ARM ASSEMBLY *	1
.	.	108845 SUPPORT ARM	1
.	.	103903 AXLECAP, 1/2"	2
.	.	103735 AXLECAP, 3/4"	2
.	.	100048 LARGE BUSHING	4
.	.	108614 SUPPORT ARM DECAL	1
68	108739	PULL PIN, 4.25"L	2
69	014156	LARGE PULLEY WASHER, 3/8"	2
70	101138	CABLE ADJ. NUT, 5/16-18"	2
71	109880	AXLE W/AXLECAP *	1
.	.	108872 AXLE	1
.	.	103903 ARM AXLECAP, 1/2"	2
72	109881	FRAME ENDCAP W/DECAL *	1
.	.	108874 FRAME ENDCAP	1
.	.	108614 HIGH PULLEY DECAL	1
73	109890	WIRE HARNESS ASSEMBLY *	1
.	.	108775 WIRE HARNESS	1
.	.	102585 CABLE TIES	4
.	.	109920 CONSUMER NOTICE	1
74	106982	WIRE ADAPTER	1
75	109886	WEIGHT MECHANISM ASSY. *	1
.	.	(NOTE: A PARTS LIST AND	0
.	.	DRAWING OF THE MECHANISM	0
.	.	IS LOCATED AT THE END OF	0
.	.	THIS PRODUCT SECTION.)	0
76	109882	LOWER CABLE ASSEMBLY *	1
.	.	108814 LOWER CABLE	1
.	.	109874 CONSUMER NOTICE	1
.	.	111127 SWIVEL HOOK W/CN	1
77	109883	BUTTERFLY CABLE W/NOTICE*	2
.	.	109456 BUTTERFLY CABLE	1
.	.	109874 CONSUMER NOTICE	1
78	109884	UPPER CABLE W/NOTICE *	1
.	.	108813 UPPER CABLE	1
.	.	109874 CONSUMER NOTICE	1
79	013580	U-BRACKET BOLT, 3/8X2"	1
80	108153	PLASTIC WASHER ASSEMBLY *	1
.	.	106832 FLAT WASHER	2
.	.	105496 PUSH WASHER	1
81	014131	CABLE ADJUST WASHER, 5/16"	1
82	108150	WEIGHT MECH. SPACER ASSY	1

MODEL NUMBER: PF85302
 VERSION: 00
 PRODUCT NAME: PROFORM EDGE 3001
 PRODUCT DESC:

MODEL/PART BOOK LISTING

PAGE 1
 INI023P1
 RUN DATE: 10/17/96
 RUN TIME: 11:10:51

KEY NUMBER	PART NUMBER	DESCRIPTION	QUANTITY
.	.	104724 SPACER	
83	108151	105496 PUSH WASHER	2
.	.	EXTENSION ARM ASSEMBLY	1
.	.	105120 EXTENSION ARM	1
.	.	105496 PUSH WASHER	2
84	108152	MECH PULLEY ASSEMBLY	3
.	.	101262 PULLEY	1
.	.	105496 PUSH WASHER	1
85	108149	CLEVIS PIN ASSEMBLY	3
.	.	105121 CLEVIS PIN	1
.	.	105496 PUSH WASHER	1
86	105496	PUSH WASHER	3
.	.	NON-ILLUSTRATED PARTS:	0
#	104838	GREASE	1
#	111127	SWIVEL HOOK W/CN	1
.	.	111128 SWIVEL HOOK	1
.	.	111129 CN-INSTALL INST.	1
#	104093	STABILIZER DECAL *	1
#	109910	LOW PULY DECAL (ON FRAME) *	1
#	109911	STEPPER DECAL (ON FRAME) *	1
#	108614	DECAL SHEET	1
#	109892	EXERCISE MANUAL	1
#	108877	OWNER'S MANUAL	1
#	108876	LITERATURE PACKET	1
.	.	108877 OWNER'S MANUAL	1
.	.	109892 EXERCISE MANUAL	1
.	.	112486 CN-MECH STICKING	1
.	108677	ELCMN ASSY, 340, HWKIT	1
.	.	105922 HAND CONTROL	1
.	.	101067 POWER CORD	1
.	.	106786 HAND CONTROL CORD	1
.	.	103860 HAND CONTROL SCREW	2
.	.	108673 PLASTIC SLEEVE	1
.	109796	ASSEMBLY HARDWARE KIT	1
.	.	103502 PRESS HANDLE BOLT	2
.	.	013456 SEAT BOLT	6
.	.	013498 LONG SEAT BOLT	1
.	.	013341 BACK REST BOLT	2
.	.	013303 BUTTERFLY BOLT	2
.	.	013564 SHORT PULLEY BOLT	3
.	.	013519 FRAME BOLT	1
.	.	013574 AB ARM BOLT	1
.	.	012082 SMALL NUT	2
.	.	012108 LARGE NYLOCK NUT	11
.	.	014062 WASHER	9
.	.	014156 LARGE PULLEY WSHR	2
.	.	105381 LEG LEVER PIN	1
.	.	100150 LEG LEVER AXLECAP	1
.	.	109172 AB ARM "D" AXLE	1
.	.	105315 CHAIN	1
.	.	108739 PULL PIN	2
.	.	103735 AXLECAP, 3/4"	2
.	109797	ASSEMBLY PARTSKIT	1
.	.	103903 ARM AXLECAP	4

MODEL NUMBER: PF85302
VERSION: 00
PRODUCT NAME: PROFORM EDGE 3001
PRODUCT DESC:

MODEL/PART BOOK LISTING

PAGE 5
INI023P1
RUN DATE: 10/17/96
RUN TIME: 11:10:51

KEY NUMBER	PART NUMBER	DESCRIPTION	QUANTITY
.	.	108874 FRAME ENDCAP	1
.	.	103833 ENDCAP, 1.5X1.5"	3
.	.	105723 STABILIZER ENDCAP	4
.	.	108192 PULLEY	3
.	.	100048 BUSHING	4
.	108740	STEPPER PARTS KIT	1
.	.	104838 GREASE	1
.	.	111572 PEDAL COVER	2
.	.	105884 DOUBLESTICK TAPE	8
.	.	100048 LARGE BUSHING	4
.	.	100151 AXLECAP, 5/8"	2
.	.	103735 AXLECAP, 3/4"	2
.	.	105101 PEDAL SPACER	2
.	.	110643 RESIST CYL SPACER	2
.	.	*--THESE ARE ESTIMATED	0
.	.	COSTS!!!!!!!!!!!!	0