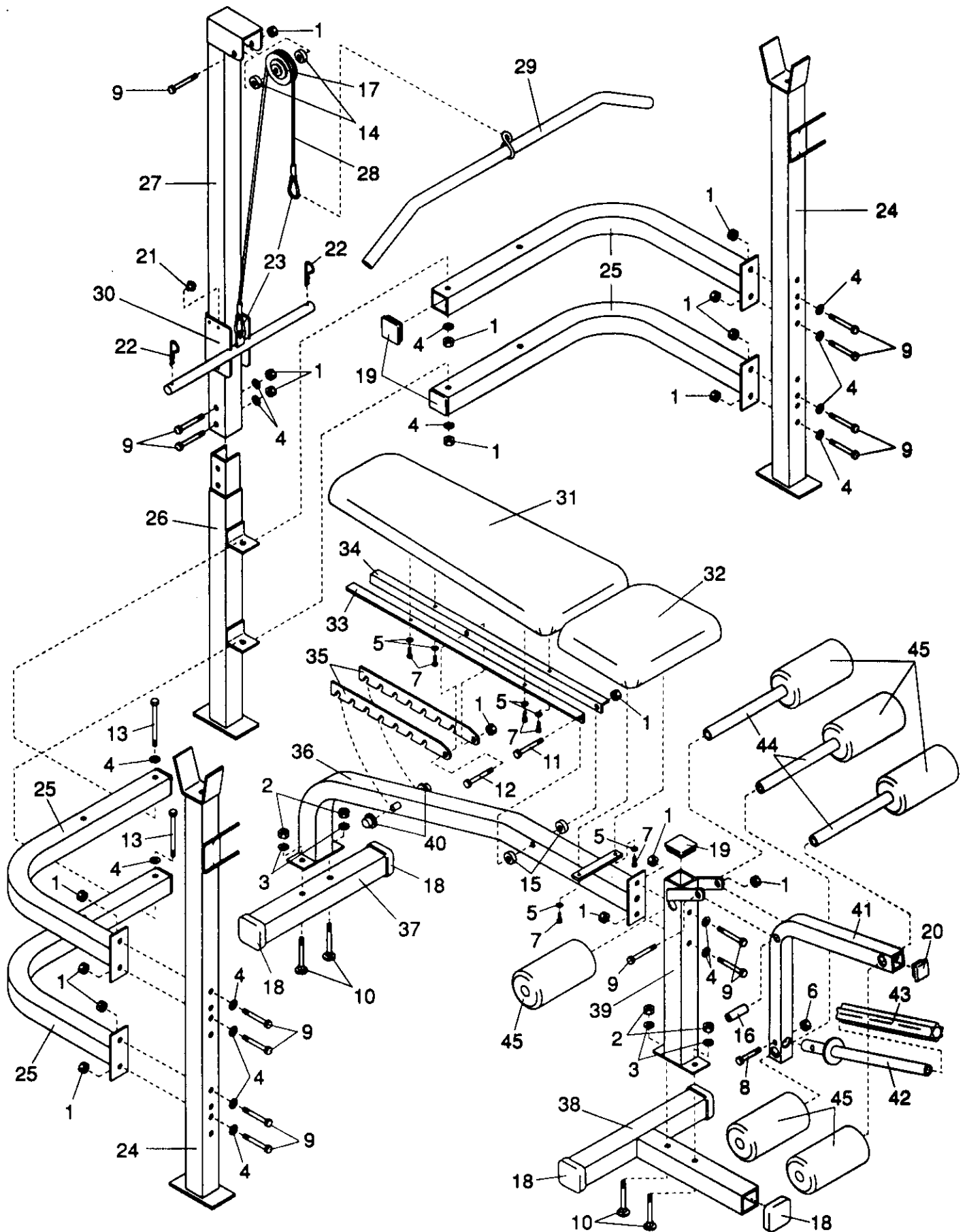


EXPLODED DRAWING—Model No. PF892020

Rev. 10/92



MODEL NUMBER: PF89202
 VERSION: 00
 PRODUCT NAME: PROFORM PRO MEDALIST
 PRODUCT DESC:

MODEL/PART BOOK LISTING

PAGE 1
 INI023P1
 RUN DATE: 2/08/97
 RUN TIME: 8:59:47

| KEY NUMBER | PART NUMBER | DESCRIPTION | QUANTITY |
|------------|-------------|---------------------------|----------|
| 1 | 012108 | 3/8" NYLOCK NUT | 18 |
| 2 | 012159 | 3/8" HEX NUT | 4 |
| 3 | 110468 | 3/8" LOCK WASHER | 4 |
| 4 | 105495 | 3/8" FLAT WASHER | 16 |
| 5 | 014062 | 1/4" LOCK WASHER | 6 |
| 6 | 012090 | 1/4" NYLOCK NUT | 1 |
| 7 | 013456 | 1/4 X 3/4" BOLT | 6 |
| 8 | 013466 | 1/4 X 1 3/4" BOLT | 1 |
| 9 | 103045 | 3/8 X 2 1/2" BOLT | 14 |
| 10 | 108674 | 3/8" X 2 1/2" CARR. BOLT | 4 |
| 11 | 013519 | 3/8 X 3" BOLT | 1 |
| 12 | 104049 | 3/8 X 3 1/2" BOLT | 1 |
| 13 | 104925 | 3/8 X 4 1/2" BOLT | 2 |
| 14 | 110528 | WIDE PLASTIC SPACER | 2 |
| 15 | 105309 | NARROW PLASTIC SPACER | 2 |
| 16 | 110478 | STEEL SPACER | 1 |
| 17 | 115370 | PULLEY | 2 |
| 18 | 111097 | 2" EXTERNAL ENDCAP | 5 |
| 19 | 105723 | 2" INTERNAL ENDCAP | 5 |
| 20 | 107346 | 1 1/2" LEG LEVER ENDCAP | 1 |
| 21 | 106432 | WEIGHT SLIDE GUIDE | 12 |
| 22 | 015044 | COTTER PIN | 2 |
| 23 | 103087 | CABLE HOOK | 2 |
| 24 | 110381 | WEIGHT RACK | 2 |
| 25 | 110411 | L-BRACE | 4 |
| 26 | 110379 | LAT TOWER BASE | 1 |
| 27 | 110380 | LAT TOWER | 1 |
| 28 | 110374 | CABLE | 1 |
| 29 | 105311 | LAT BAR | 1 |
| 30 | 110371 | WEIGHT SLIDE | 1 |
| 31 | NLA | BENCH | 1 |
| 32 | 110420 | SEAT | 1 |
| 33 | 110417 | RIGHT BENCH RAIL | 1 |
| 34 | 110418 | LEFT BENCH RAIL | 1 |
| 35 | 110416 | BENCH INCLINE SUPPORT | 2 |
| 36 | 110412 | BENCH FRAME | 1 |
| 37 | 110415 | BENCH STABILIZER | 1 |
| 38 | 110414 | BENCH LEG BASE | 1 |
| 39 | 110413 | BENCH LEG | 1 |
| 40 | 103957 | 3/8" AXLECAP | 2 |
| 41 | 110422 | LEG LEVER | 1 |
| 42 | 110421 | WEIGHT POST | 1 |
| 43 | 110425 | OLYMPIC WEIGHT SLEEVE | 1 |
| 44 | 106484 | LEG LEVER FOAM MTG. TUBE | 3 |
| 45 | 106485 | LEG LEVER FOAM PAD | 6 |
| . | . | NON-ILLUSTRATED PARTS: | 1 |
| A | 110454 | OWNER'S MANUAL | 1 |
| . | 110452 | LITERATURE PACKET | 1 |
| . | . | 110454 OWNER'S MANUAL | 1 |
| . | 110453 | HARDWARE KIT | 1 |
| . | . | 104925 3/8-16X4 1/2" BOLT | 2 |
| . | . | 103045 3/8-16X2 1/2" BOLT | 14 |
| . | . | 013456 1/4-20X3/4" BOLT | 6 |
| . | . | 013466 1/4-20X1 3/4" BOLT | 1 |

MODEL NUMBER: PF89202
VERSION: 00
PRODUCT NAME: PROFORM PRO MEDALIST
PRODUCT DESC:

MODEL/PART BOOK LISTING

PAGE 2
INI023P1
RUN DATE: 2/08/97
RUN TIME: 8:59:47

| KEY NUMBER | PART NUMBER | DESCRIPTION | QUANTITY |
|------------|-------------|---------------------------|----------|
| . | | 013519 3/8-16X3" BOLT | 1 |
| . | | 104049 3/8-16X3 1/2" BOLT | 1 |
| . | | 108674 CARRIAGE BOLT | 4 |
| . | | 105495 FLAT WASHER | 2 |
| . | | 012159 HEX NUT | 4 |
| . | | 012108 NYLOCK NUT | 18 |
| . | | 106432 BUTTON BUSHING | 12 |
| . | | 110374 CABLE | 1 |
| . | | 108192 PULLEY | 2 |