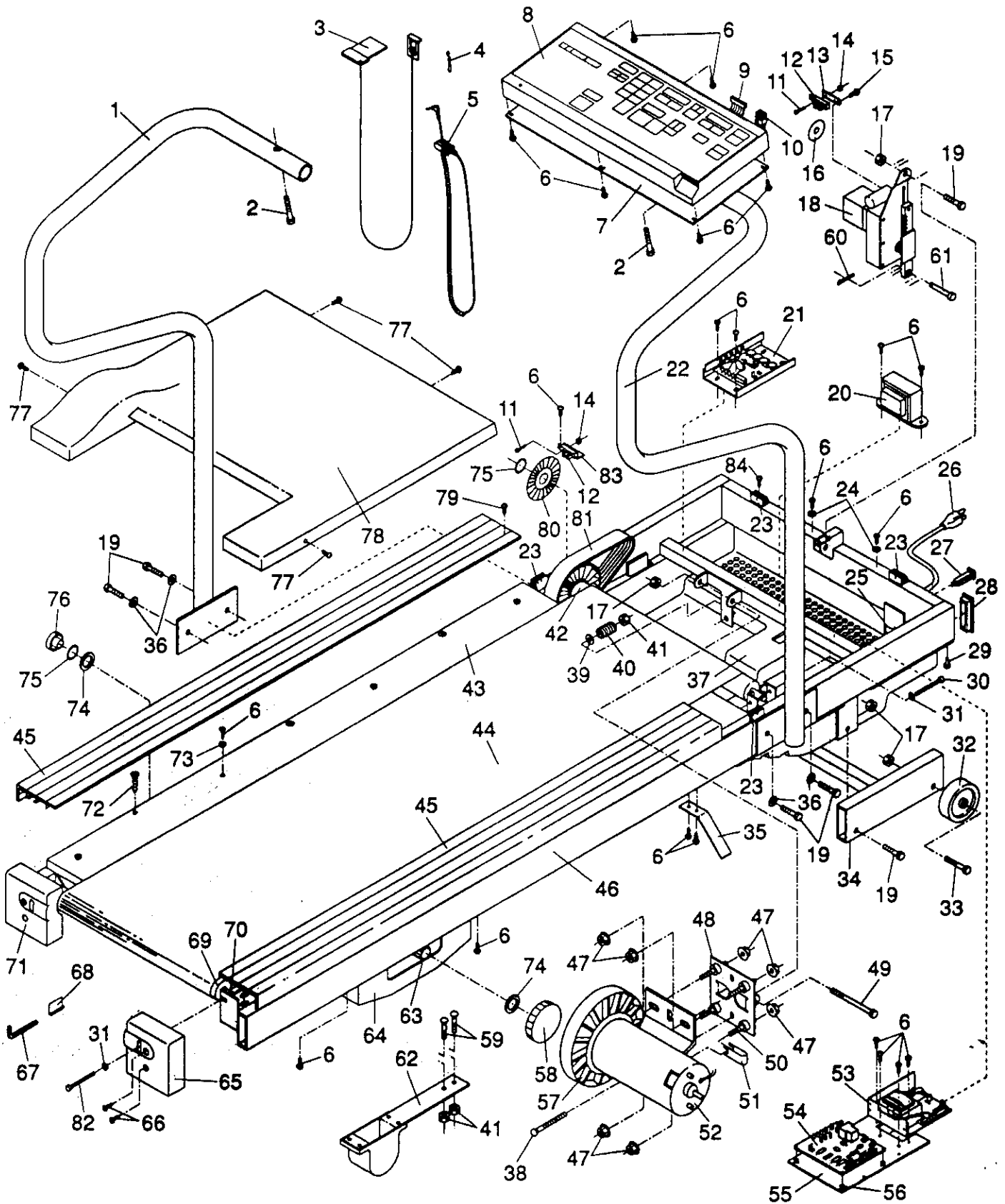


EXPLODED DRAWING—Model No. PF904520

Rev. 10/92



MODEL NUMBER: PF90452
 VERSION: 00
 PRODUCT NAME: PROFORM ESP 8
 PRODUCT DESC:

MODEL/PART BOOK LISTING

RUN DATE: 3/10/97
 RUN TIME: 16:27:04

KEY NUMBER	PART NUMBER	DESCRIPTION	QUANTITY
1	109244	LEFT SIDE RAIL	1
2	013293	SIDE RAIL BOLT, 1.75"	2
3	109740	SAFETY KEY/CLIP *	1
4	054013	CLOTHES CLIP	1
5	119946	PULSE/CLOTHES CLIP ASSY.	1
6	108080	SMALL SCREW	33
7	116219	CONSOLE PLATE ASSEMBLY	1
8	109682	CONSOLE ASSEMBLY *	1
9	109253	SHORT WIRE HARNESS	2
10	110036	SIDE RAIL WIRE HARNESS	1
11	102959	SWITCH BOLT	2
12	102955	OPTIC SWITCH	2
13	109371	INCLINE SWITCH BRACKET *	1
14	012152	SWITCH NUT	2
15	109372	INCLINE BRACKET SCREW *	1
16	109370	INCLINE OPTIC DISK	1
17	012108	LOCKNUT	6
18	115523	INCLINE MOTOR	1
19	013564	SIDERAIL/LEG/MOTOR BOLT	7
20	031238	CHOKE	1
21	129861	CONTROLLER W/CN	1
22	109246	RIGHT SIDE RAIL	1
23	109095	HOOD ANCHOR	4
24	014157	GROUND WASHER	2
25	019084	GROMMET	1
26	031229	POWER CORD	1
27	109382	CIRCUIT BREAKER	1
28	109269	FRAME ENDCAP	2
29	104623	SAFETY COVER PIN	10
30	106615	FRONT ROLLER ADJ. BOLT	1
31	014127	ROLLER ADJUSTMENT WASHER	3
32	052014	FRONT WHEEL	2
33	105329	WHEEL BOLT	2
34	109105	INCLINE LEG	1
35	109265	BELT GUIDE	2
36	014087	SIDE RAIL WASHER	4
37	108603	SAFETY COVER	1
38	013207	CARRIAGE BOLT	1
39	014041	TENSION WASHER	1
40	104514	TENSION SPRING	1
41	012082	NUT	4
42	111386	FR RLR/SLV/PULY/DISK ASY*	1
.	.	109713 ROLLER/SLV/PULLEY	1
.	.	102977 CN-INSTALL INST.	1
.	.	111444 SPEED DISK ASSY.	1
43	124630	WALKING PLATFORM ASSEMBLY	1
.	.	NOTE: THIS ASSEMBLY HAS	0
.	.	BEEN CHANGED FROM THE	0
.	.	ORIGINAL WAXED BOARD	0
44	130475	WALKING BELT	1
45	112551	DECK RAIL *	2
46	NSP	FRAME	1
47	105477	MOTOR MOUNT NUT	8
48	110589	MOTOR MOUNT SWIVEL W/CN *	1

MODEL NUMBER: PF90452
 VERSION: 00
 PRODUCT NAME: PROFORM ESP 8
 PRODUCT DESC:

MODEL/PART BOOK LISTING

RUN DATE: 3/10/97
 RUN TIME: 16:27:04

KEY NUMBER	PART NUMBER	DESCRIPTION	QUANTITY
.	.	109242 MOTOR MOUNT SWIVEL	1
.	.	110587 CN-INSTALL INST.	1
49	101263	MOTOR PIVOT BOLT	1
50	108473	MOTOR ISOLATOR	4
51	108474	GROUND STRAP	1
52	113800	MOTOR	1
.	.	124183 MOTOR	1
.	.	110587 CN-INSTALL INST.	1
.	.	122470 CN-MOTOR CHANGE	1
.	.	116878 HARDWARE KIT	1
52A	113801	MOTOR/PULY/FLY/FAN	1
.	.	124183 MOTOR	1
.	.	108276 PULY/FLY/FAN ASSY.	1
.	.	110587 CN-INSTALL INST.	1
.	.	122470 CN-MOTOR CHANGE	1
.	.	116878 HARDWARE KIT	1
53	102870	POWER SUPPLY BOARD	1
54	111562	CIRCUIT BOARD ASSEMBLY *	1
.	.	110240 CIRCUIT BOARD	1
.	.	125819 PLASTIC STAND-OFF	4
.	.	111563 CN-INSTALL INST.	1
55	109438	MOUNTING PLATE	1
56	125819	PLASTIC STAND-OFF	4
57	108276	PULLEY/FLYWHEEL/FAN	1
58	109268	CUSHION KNOB	1
59	110926	CUSHION SPRING BOLT	4
60	106334	COTTER PIN	1
61	100896	INCLINE MOTOR PIN	1
62	109620	SPRING CUSHION ASSEMBLY	2
63	109267	ADJUSTMENT ROD	1
64	110567	SPRING CUSHION COVER	2
65	108470	RIGHT ENDCAP	1
66	013300	ENDCAP SCREW	4
67	045010	ALLEN WRENCH	1
68	016028	TOOL CLAMP	1
69	109788	REAR ROLLER W/CN *	1
.	.	105264 REAR ROLLER	1
.	.	103847 CN-INSTALL INST.	1
70	105000	REAR ROLLER SPACER	2
71	108469	LEFT ENDCAP	1
72	100691	PLATFORM SCREW	6
73	109278	DECK RAIL WASHER	8
74	109723	ROD WASHER	2
75	108778	SPEED DISK RETAINER	2
76	109518	ADJUSTMENT ROD ENDCAP	1
77	108404	MOTOR HOOD SCREW	4
78	111558	MOTOR HOOD W/DECALS *	1
.	.	108433 MOTOR HOOD	1
.	.	110037 MOTOR HOOD DECAL	1
.	.	110038 WIRE DIAGRAM DECAL	1
79	101577	DECK RAIL SCREW	2
80	111444	SPEED OPTIC DISK ASSY. *	1
.	.	110398 SPEED DISK	1
.	.	108778 DISK RETAINER	1

MODEL NUMBER: PF90452
VERSION: 00
PRODUCT NAME: PROFORM ESP 8
PRODUCT DESC:

MODEL/PART BOOK LISTING

PAGE 3
INI023P1

RUN DATE: 3/10/97
RUN TIME: 16:27:04

KEY NUMBER	PART NUMBER	DESCRIPTION	QUANTITY
	.	111445 CN-INSTALL INST.	1
81	106939	BELT	1
82	105444	REAR ROLLER ADJ. BOLT	2
83	109103	SPEED SWITCH BRACKET	1
84	101049	HOOD ANCHOR SCREW	4
.	.	NON-ILLUSTRATED PARTS:	0
#	111430	CAGE NUT	4
#	107617	FRAME DECAL	1
#	109333	CUSHION COVER DECAL	1
#	110037	MOTOR HOOD DECAL	1
#	110038	WIRE DIAGRAM DECAL	1
#	110039	OWNER'S MANUAL	1
	110040	LITERATURE PACKET	1
.	.	110039 OWNER'S MANUAL	1
.	.	112589 PULSE EARCLIP	1
.	.	109282 HARDWARE KIT	1
.	.	016028 WRENCH CLIP	1
.	.	045010 ALLEN WRENCH	1
.	.	014087 FLAT WASHER	4
.	.	104063 SDRAIL BOLT,1.75	4
.	.	013293 SDRAIL BOLT,1.75	2
.	.	014041 WASHER	2
.	.	*--THESE ARE ESTIMATED	0
.	.	COSTS!!!!	0