

DIRECTORY

PRODUCT NUMBER: PF90502
PRODUCT NAME: PROFORM ESP 10
EXTENDED STRIDE PROFILE

DATE: 08/08/94

* * * * *
CONTENTS REMARKS
* * * * *

GENERAL HISTORY

EXPLODED DIAGRAM * PF905020
PARTS LIST PF905020

EXPLODED DIAGRAM * PF905021
PARTS LIST PF905021

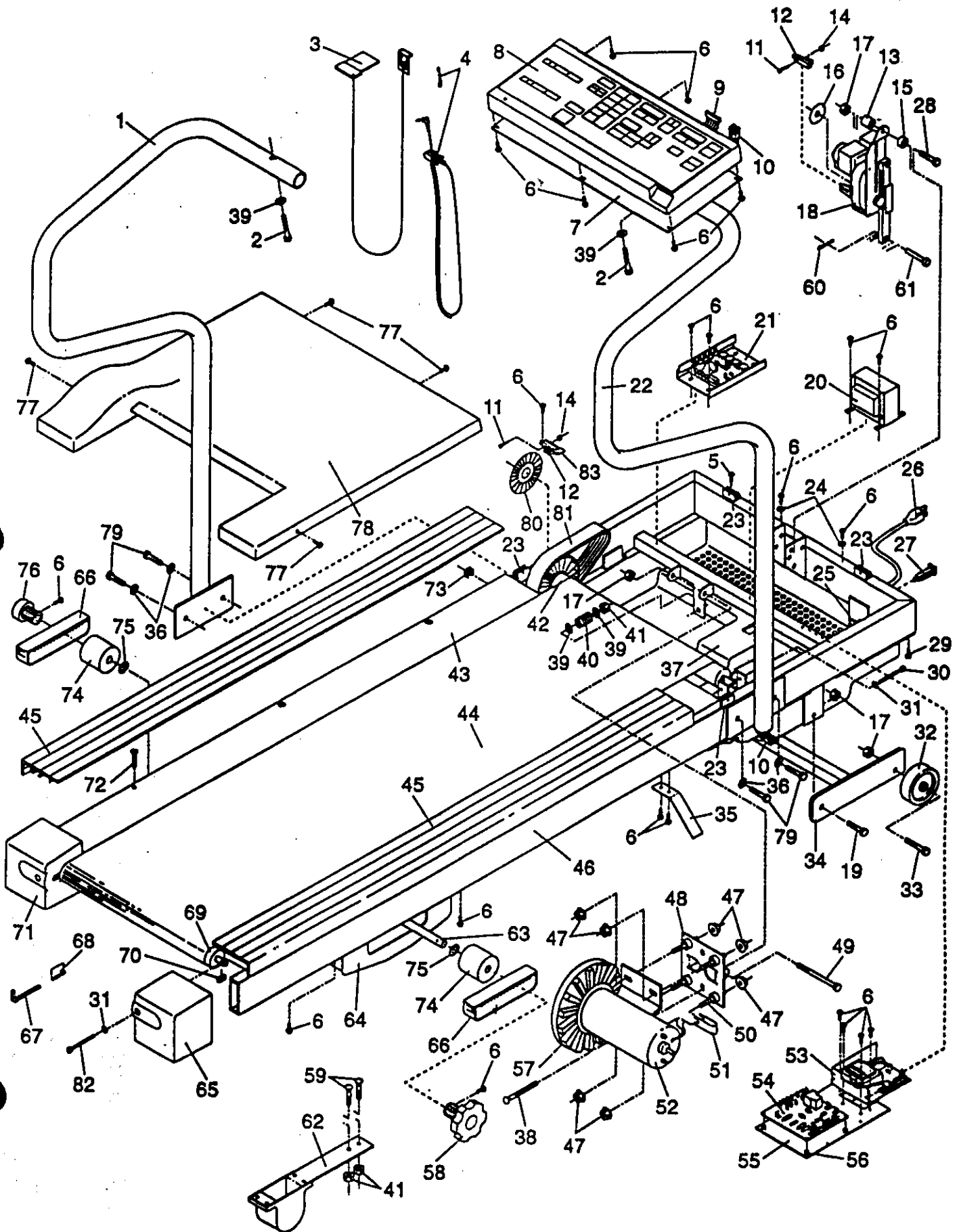
EXPLODED DIAGRAM * PF905022
PARTS LIST PF905022

EXPLODED DIAGRAM * PF905023
PARTS LIST PF905023

EXPLODED DIAGRAM PF905024
PARTS LIST PF905024

EXPLODED DRAWING—Model No. PF905023

Rev. 3/94



MODEL NUMBER: PF90502
 VERSION: 03
 PRODUCT NAME: PROFORM ESP 10
 PRODUCT DESC:

MODEL/PART BOOK LISTING

PAGE 1
 INI023P1
 RUN DATE: 7/25/96
 RUN TIME: 11:19:23

KEY NUMBER	PART NUMBER	DESCRIPTION	QUANTITY
1	113620	LEFT SIDE RAIL	1
2	013293	SIDE RAIL BOLT, 1.75"	2
3	109740	SAFETY KEY/CLIP	1
4	119946	PULSE/CLOTHES CLIP ASSY.	1
5	013282	HOOD ANCHOR SCREW	4
6	108080	SMALL SCREW	27
7	116219	CONSOLE PLATE ASSEMBLY	1
8	109683	CONSOLE ASSEMBLY	1
9	109253	SHORT WIRE HARNESS	2
10	110036	SIDERAIL WIRE HARNESS	1
11	102959	SWITCH BOLT	2
12	102955	OPTIC SWITCH	2
13	114079	LONG LIFT MOTOR SPACER	1
14	012152	SWITCH NUT	2
15	114078	SHORT LIFT MOTOR SPACER	1
16	109370	INCLINE OPTIC DISK	1
17	012108	LOCK NUT	6
18	115523	INCLINE MOTOR	1
19	104581	LEG BOLT	2
20	109365	CHOKE	1
21	110447	CONTROLLER W/RI	1
.	.	108580 CONTROLLER	1
.	.	110446 REPLACEMENT INSTR.	1
22	113622	RIGHT SIDE RAIL	1
23	109095	HOOD ANCHOR	4
24	014157	GROUND WASHER	2
25	019084	GROMMET	1
26	031229	POWER CORD	1
27	109382	CIRCUIT BREAKER	1
28	104049	TOP LIFT MOTOR BOLT	1
29	013088	SAFETY COVER SCREW	10
30	106615	FRONT ROLLER ADJ. BOLT	1
31	014127	ROLLER ADJ. WASHER	3
32	052014	FRONT WHEEL	2
33	013564	WHEEL BOLT	2
34	113224	INCLINE LEG	1
35	109265	BELT GUIDE	2
36	014087	SIDE RAIL WASHER	8
37	117266	SAFETY COVER	1
38	013207	CARRIAGE BOLT	1
39	014041	FLAT WASHER	4
40	104514	TENSION SPRING	1
41	012082	NUT	5
42	111335	FR RLR/SLV/PULY/DISK ASSY	1
43	124588	WALKING PLATFORM ASSEMBLY	1
.	.	124587 WALKING PLATFORM	1
.	.	127860 NAIL	12
.	.	110585 REPLACEMENT INSTR.	1
.	.	NOTE: THIS ASSEMBLY HAS	0
.	.	BEEN CHANGED FROM THE	0
.	.	ORIGINAL WAXED BOARD	0
44	130471	WALKING BELT ASSEMBLY	1
45	118019	DECK RAIL	2
46	NSP	FRAME	1

MODEL NUMBER: PF90502
 VERSION: 03
 PRODUCT NAME: PROFORM ESP 10
 PRODUCT DESC:

MODEL/PART BOOK LISTING

PAGE 2
 INI023P1

RUN DATE: 7/25/96
 RUN TIME: 11:19:23

KEY NUMBER	PART NUMBER	DESCRIPTION	QUANTITY
47	105477	MOTOR MOUNT NUT	8
48	110589	MOTOR MOUNT PLATE W/RI	1
.	.	109242 MOTOR MOUNT PLATE	1
.	.	110587 REPLACEMENT INSTR.	1
49	101263	MOTOR PIVOT BOLT	1
50	108473	MOTOR ISOLATOR	4
51	108474	MOTOR GROUND STRAP	1
52	114564	MOTOR ASSEMBLY	1
.	.	119991 MOTOR	1
.	.	116878 HARDWARE KIT	1
.	.	122179 CN-MTR CHANGE	1
.	.	110587 REPLACEMENT INSTR.	1
52A	114565	MOTOR/PULY/FLY/FAN/RI ASY	1
.	.	119991 MOTOR	1
.	.	112825 PULLEY/FLY/FAN ASY	1
.	.	110587 REPLACEMENT INSTR.	1
.	.	116878 HARDWARE KIT	1
.	.	122179 CN-MOTOR CHANGE	1
53	111794	POWER SUPPLY BOARD W/RI	1
.	.	102870 POWER SUPPLY BOARD	1
.	.	111793 REPLACEMENT INSTR.	1
54	111562	INTERFACE BOARD ASSEMBLY	1
.	.	110240 INTERFACE BOARD	1
.	.	015071 PLASTIC STAND-OFF	4
.	.	111563 REPLACEMENT INSTR.	1
55	109438	MOUNTING PLATE	1
56	015071	PLASTIC STAND-OFF	4
57	112825	PULLEY/FLYWHEEL/FAN ASSY.	1
58	111894	CUSHION KNOB	1
59	110926	CUSHION SPRING BOLT	4
60	106334	COTTER PIN	1
61	112669	INCLINE MOTOR PIN	1
62	109620	CUSHION SPRING ASSEMBLY	2
.	.	109260 CUSHION SPRING	1
.	.	109266 FOOT	1
.	.	112738 FASTENER	4
63	114038	ADJUSTMENT ROD	1
64	114036	CUSHION SPRING COVER	2
65	113046	RIGHT ENDCAP	1
66	113003	ADJUSTING INSERT	2
67	045010	ALLEN WRENCH	1
68	016028	TOOL CLAMP	1
69	110441	REAR ROLLER W/RI	1
.	.	105894 REAR ROLLER	1
.	.	103847 REPLACEMENT INSTR.	1
70	110396	REAR ROLLER SPACER	2
71	113045	LEFT ENDCAP	1
72	100691	PLATFORM SCREW	6
73	111869	CAGE NUT	4
74	114039	ADJUSTMENT ROD SPACER	2
75	012155	PUSH NUT	2
76	113005	ADJUSTMENT ROD ENDCAP	1
77	108404	HOOD SCREW	4
78	111973	MOTOR HOOD W/DECALS	1

MODEL NUMBER: PF90502
 VERSION: 03
 PRODUCT NAME: PROFORM ESP 10
 PRODUCT DESC:

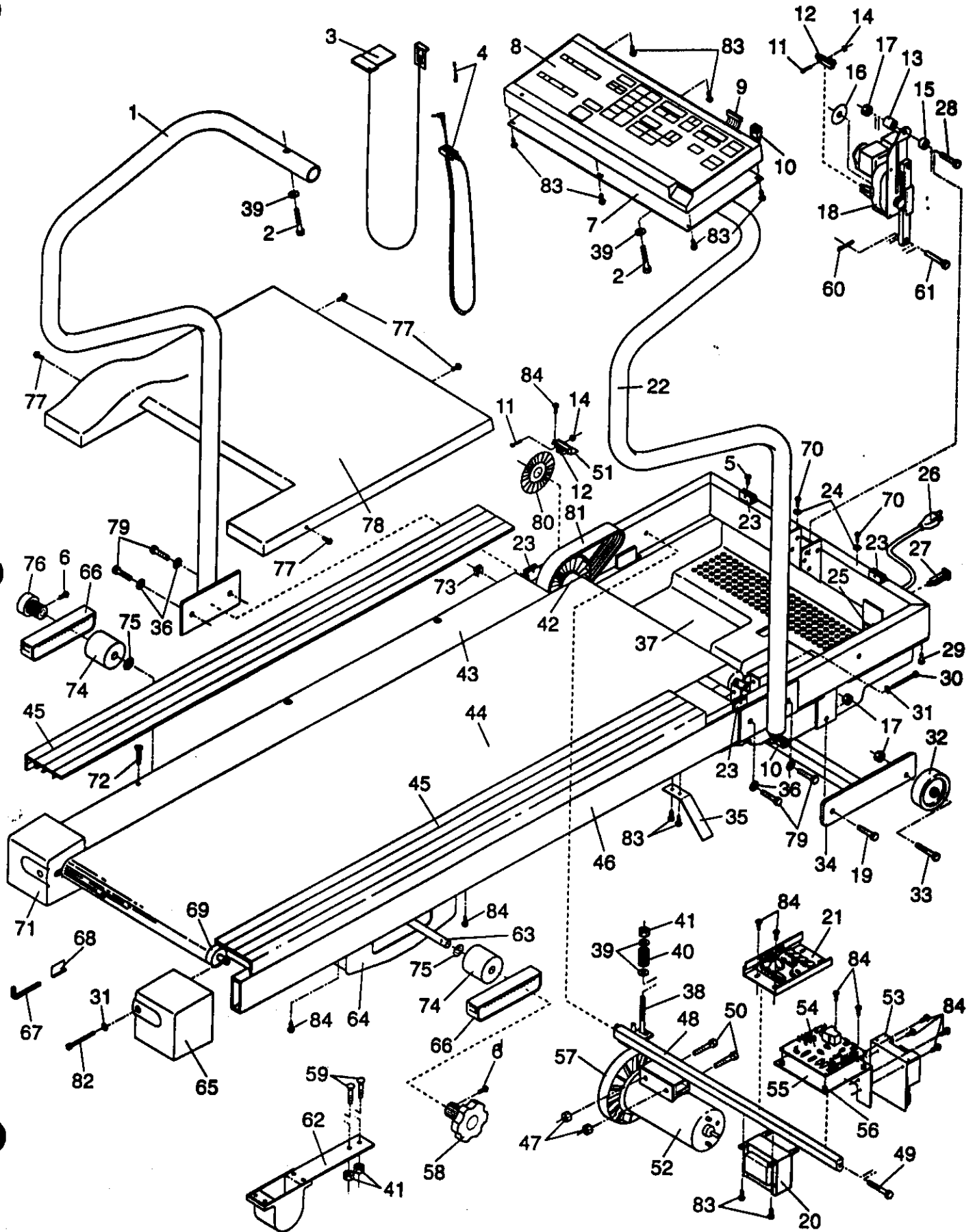
MODEL/PART BOOK LISTING

PAGE 3
 IN1023P1
 RUN DATE: 7/25/96
 RUN TIME: 11:19:23

KEY NUMBER	PART NUMBER	DESCRIPTION	QUANTITY
.	.	108433 MOTOR HOOD	1
.	.	110259 MOTOR HOOD DECAL	1
.	.	111027 WIRE DIAGRAM DECAL	1
79	116068	SIDE RAIL BOLT	4
80	111332	SPEED OPTIC DISK ASSY.	1
.	.	110400 SPEED OPTIC DISK	1
.	.	108778 DISK RETAINER	1
.	.	111331 REPLACEMENT INSTR.	1
81	106939	BELT	1
82	013206	REAR ROLLER ADJ. BOLT	2
83	109103	SPEED SWITCH BRACKET	1
.	.	NON-ILLUSTRATED PARTS:	0
#	107617	FRAME DECAL	1
#	109333	DECK CUSHION DECAL	1
#	110259	MOTOR HOOD DECAL	1
#	111027	WIRE DIAGRAM DECAL	1
#	114590	OWNER'S MANUAL	1
.	114591	LITERATURE PACKET	1
.	.	114590 OWNER'S MANUAL	1
.	.	112589 PULSE EARCLIP	1
.	.	115967 CN-SDRAIL MOUNTING	1
.	.	109282 HARDWARE KIT	1
.	.	016028 TOOL CLAMP	1
.	.	045010 ALLEN WRENCH	1
.	.	014087 FLAT WASHER	8
.	.	104063 SIDERAIL BOLT	4
.	.	013293 1.75" SDRL BOLT	2
.	.	014041 WASHER	2

EXPLODED DRAWING—Model No. PF905024

Rev. 8/94



MODEL NUMBER: PF90502
 VERSION: 04
 PRODUCT NAME: PROFORM ESP 10
 PRODUCT DESC:

MODEL/PART BOOK LISTING

PAGE 1
 INI023P1
 RUN DATE: 7/25/96
 RUN TIME: 11:19:30

KEY NUMBER	PART NUMBER	DESCRIPTION	QUANTITY
	.	PROFORM ESP 10 TREADMILL	0
1	113620	LEFT SIDE RAIL	1
2	013293	CONSOLE BOLT	2
3	109740	SAFETY KEY/CLIP	1
4	119946	PULSE/CLOTHES CLIP ASSY.	1
5	013300	HOOD ANCHOR SCREW	4
6	108404	SMALL SCREW	2
7	116219	CONSOLE PLATE	1
8	109683	CONSOLE	1
9	109253	SHORT WIRE HARNESS	2
10	110036	SIDERAIL WIRE HARNESS	1
11	102959	SWITCH BOLT	2
12	102955	OPTIC SWITCH	2
13	114079	LONG LIFT MOTOR SPACER	1
14	012152	SWITCH NUT	2
15	114078	SHORT LIFT MOTOR SPACER	1
16	109370	INCLINE OPTIC DISK	1
17	012108	LOCK NUT	6
18	115523	INCLINE MOTOR	1
19	104581	LEG BOLT	2
20	109365	CHOKE	1
21	110447	CONTROLLER W/R1	1
.	.	108580 CONTROLLER	1
.	.	110446 REPLACEMENT INSTR.	1
22	113622	RIGHT SIDE RAIL	1
23	113106	HOOD ANCHOR	4
24	014157	GROUND WASHER	2
25	019084	GROMMET	1
26	031229	POWER CORD	1
27	109382	CIRCUIT BREAKER	1
28	104049	TOP LIFT MOTOR BOLT	1
29	013088	SAFETY COVER SCREW	10
30	106615	FRONT ROLLER ADJ. BOLT	1
31	014127	ROLLER ADJ. WASHER	3
32	052014	FRONT WHEEL	2
33	013564	WHEEL BOLT	2
34	113224	INCLINE LEG	1
35	109265	BELT GUIDE	2
36	014087	SIDE RAIL WASHER	8
37	117266	SAFETY COVER	1
38	103855	J-BOLT	1
39	014041	FLAT WASHER	4
40	104514	TENSION SPRING	1
41	012082	NUT	5
42	111335	FR RLR/SLV/PULY/DISK ASSY	1
43	124595	WALKING PLATFORM	1
.	.	NOTE: THIS ASSEMBLY HAS	0
.	.	BEEN CHANGED FROM THE	0
.	.	ORIGINAL WAXED BOARD	0
44	130471	WALKING BELT ASSEMBLY	1
45	121041	DECK RAIL ASSEMBLY	2
.	.	117557 DECK RAIL	1
.	.	127860 NAIL	6
.	.	107103 REPLACEMENT INSTR.	1

MODEL NUMBER: PF90502
 VERSION: 04
 PRODUCT NAME: PROFORM ESP 10
 PRODUCT DESC:

MODEL/PART BOOK LISTING

PAGE 2
 INI023P1
 RUN DATE: 7/25/96
 RUN TIME: 11:19:30

KEY NUMBER	PART NUMBER	DESCRIPTION	QUANTITY
46	NSP	FRAME	1
47	105477	MOTOR MOUNT NUT	8
48	115929	MOTOR MOUNT PLATE W/RI	1
.	.	115928 MOTOR MOUNT PLATE	1
.	.	115930 REPLACEMENT INSTR.	1
49	013210	MOTOR PIVOT BOLT	2
50	123385	MOTOR MOUNTING BOLT	4
51	109103	SPEED SWITCH BRACKET	1
52	114454	MOTOR W/REPLACEMENT INSTR	1
.	.	119991 MOTOR	1
.	.	114457 REPLACEMENT INSTR.	1
.	.	122179 CN-MOTOR CHANGE	1
52A	114455	MOTOR/PULY/FLY/FAN/RI ASY	1
.	.	119991 MOTOR	1
.	.	112825 PULLEY/FLY/FAN ASY	1
.	.	114457 REPLACEMENT INSTR.	1
.	.	122179 CN-MOTOR CHANGE	1
53	111794	POWER SUPPLY BOARD W/RI	1
.	.	102870 POWER SUPPLY BOARD	1
.	.	111793 REPLACEMENT INSTR.	1
54	111562	INTERFACE BOARD ASSEMBLY	1
.	.	110240 INTERFACE BOARD	1
.	.	015071 PLASTIC STAND-OFF	4
.	.	111563 REPLACEMENT INSTR.	1
55	117465	MOUNTING PLATE	1
56	015071	PLASTIC STAND-OFF	4
57	112825	PULLEY/FLYWHEEL/FAN ASSY.	1
58	111894	CUSHION KNOB	1
59	110926	CUSHION SPRING BOLT	4
60	106334	COTTER PIN	1
61	112669	INCLINE MOTOR PIN	1
62	109620	CUSHION SPRING ASSEMBLY	2
.	.	109260 CUSHION SPRING	1
.	.	109266 FOOT	1
.	.	112738 FASTENER	4
63	114038	ADJUSTMENT ROD	1
64	114036	CUSHION SPRING COVER	2
65	113046	RIGHT ENDCAP	1
66	113003	ADJUSTING INSERT	2
67	045010	ALLEN WRENCH	1
68	016028	TOOL CLAMP	1
69	110441	REAR ROLLER W/RI	1
.	.	105894 REAR ROLLER	1
.	.	103847 REPLACEMENT INSTR.	1
70	013162	REAR CRSMBR/GUARD SCREW	7
71	113045	LEFT ENDCAP	1
72	100691	PLATFORM SCREW	6
73	111869	CAGE NUT	4
74	114039	ADJUSTMENT ROD SPACER	2
75	012155	PUSH NUT	2
76	113005	ADJUSTMENT ROD ENDCAP	1
77	013540	HOOD SCREW	4
78	121040	MOTOR HOOD W/DECALS	1
.	.	108433 MOTOR HOOD	1

MODEL NUMBER: PF90502
 VERSION: 04
 PRODUCT NAME: PROFORM ESP 10
 PRODUCT DESC:

MODEL/PART BOOK LISTING

PAGE 3
 INT023P1
 RUN DATE: 7/25/96
 RUN TIME: 11:19:30

KEY NUMBER	PART NUMBER	DESCRIPTION	QUANTITY
.	.	110259 MOTOR HOOD DECAL	1
.	.	118178 WIRE DIAGRAM DECAL	1
79	116068	SIDE RAIL BOLT	4
80	111332	SPEED OPTIC DISK ASSY.	1
.	.	110400 SPEED OPTIC DISK	1
.	.	108778 DISK RETAINER	1
.	.	111331 REPLACEMENT INSTR.	1
81	106939	BELT	1
82	013206	REAR ROLLER ADJ. BOLT	2
83	108080	GUIDE/CNSL/CHOKE SCREW	14
84	109250	POWER BOARD/CNTRL SCREW	11
.	.	NON-ILLUSTRATED PARTS:	0
#	102247	PWR JUMPER WIRE, BLK, 1 1/4" L	1
#	107771	JUMPER WIRE, WHITE, 8" L	1
#	102634	GROUND WIRE, GREEN, 8" L	1
#	103783	CONTROLLER JUMPER WIRE	1
#	103827	JUMPER WIRE, BLACK, 26" L	1
#	103826	JUMPER WIRE, WHITE, 26" L	1
#	103648	PHOTO INTER. WIRE, 32" L	1
#	102633	PHOTO INTER. WIRE, 20" L	1
#	101897	LIFT MOTOR WIRE, WHITE, 14" L	1
#	101898	JUMPER WIRE, BLACK, 14" L	1
#	104898	POWER BOARD WIRE	1
#	107617	FRAME DECAL	1
#	109333	DECK CUSHION DECAL	1
#	110259	MOTOR HOOD DECAL	1
#	118178	WIRE DIAGRAM DECAL	1
#	113171	POWER SUPPLY BOARD DECAL	1
#	118209	SILICONE	1
#	117312	OWNER'S MANUAL	1
.	117313	LITERATURE PACKET	1
.	.	117312 OWNER'S MANUAL	1
.	.	112589 PULSE EARCLIP	1
.	.	118209 SILICONE	1
.	.	109282 HARDWARE KIT	1
.	.	016028 TOOL CLAMP	1
.	.	015010 ALLEN WRENCH	1
.	.	014087 FLAT WASHER	8
.	.	116068 SIDERAIL BOLT	4
.	.	013293 1.75" SDRL BOLT	2
.	.	014041 WASHER	2

HISTORY

PRODUCT NUMBER: PF90502

PRODUCT NAME: PROFORM ESP 10

DESCRIPTION: 0-10 MPH 1.5 HP DC treadmill, built on a low profile frame, programmable power incline, adjustable spring cushion, trak guide, full cage siderail, non-skid deck rails, 16 x 54" walking belt

COLORS: PROFORM WHITE: Steel

BLACK: Hood, deck rails, endcaps

NO FOAM GRIPS

SHIPPING SPEC: 162 lbs.
79 x 12 x 27"

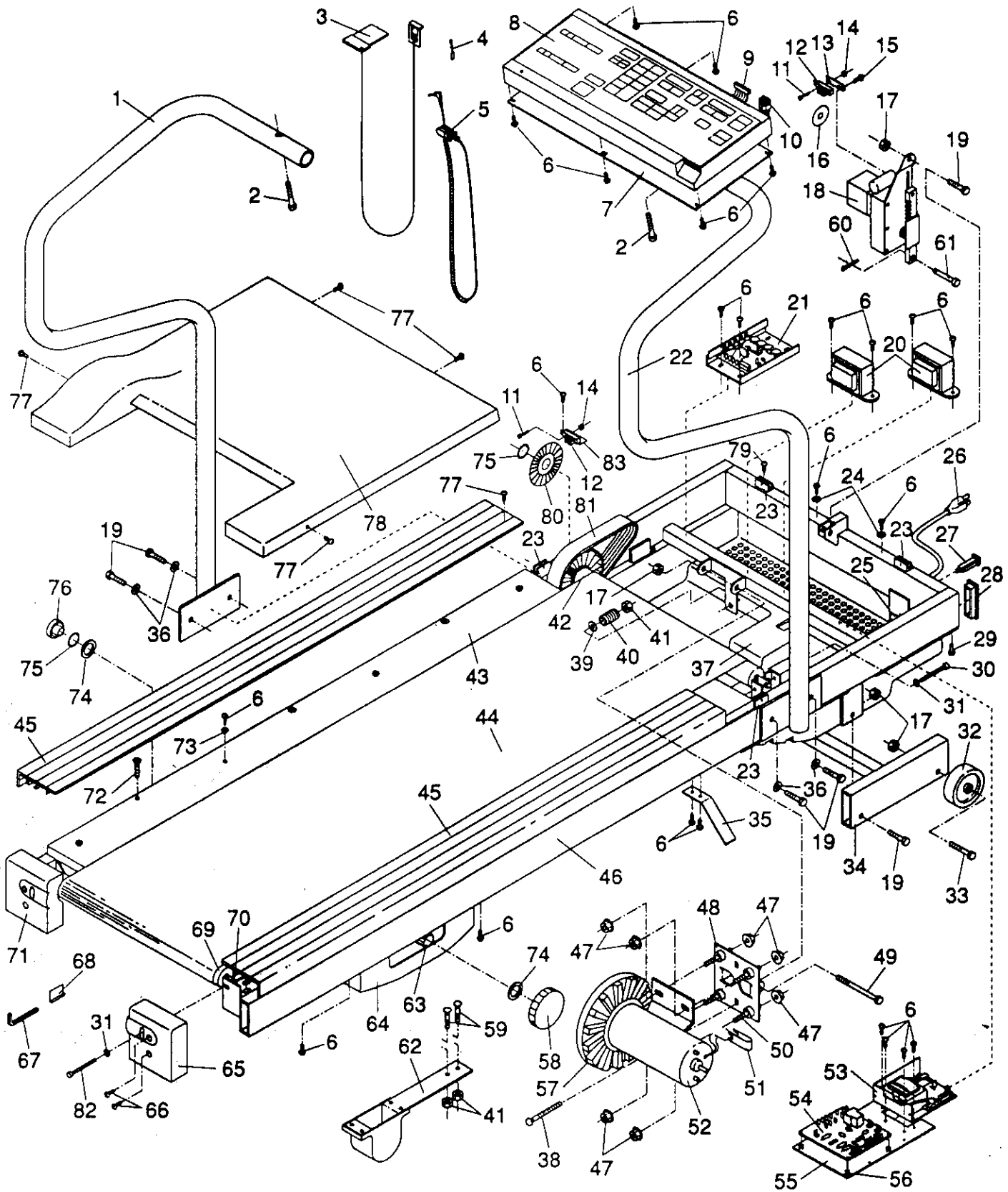
ASSEMBLED SPEC:

ELECTRONICS: Wolf 3

<u>MFG LOCATION</u>	<u>APPROX DATE BEGAN</u>	<u>APPROX DATE END</u>	<u>VERSION</u>
WESLO LOGAN	11/92		PF905020
WESLO LOGAN			PF905021
WESLO LOGAN	7/93		PF905022
WESLO LOGAN	1/94	3/94	PF905023
WESLO LOGAN	4/94		PF905024

EXPLODED DRAWING—Model No. PF905020

Rev. 9/92



MODEL NUMBER: PF9050Z
 VERSION: 00
 PRODUCT NAME: PROFORM ESP 10
 PRODUCT DESC:

MODEL/PART BOOK LISTING

RUN DATE: 7/25/96
 RUN TIME: 11:19:00

KEY NUMBER	PART NUMBER	DESCRIPTION	QUANTITY
1	109244	LEFT SIDE RAIL	1
2	013293	SIDE RAIL BOLT,1.75"	2
3	109740	SAFETY KEY/CLIP *	1
4	054013	CLOTHES CLIP	1
5	119946	PULSE/CLOTHES CLIP ASSY.	1
6	108080	SMALL SCREW	35
7	116219	CONSOLE PLATE ASSEMBLY	1
8	109683	CONSOLE ASSEMBLY *	1
9	109253	SHORT WIRE HARNESS	2
10	110036	SIDE RAIL WIRE HARNESS	1
11	102959	SWITCH BOLT	2
12	102955	OPTIC SWITCH	2
13	109371	INCLINE SWITCH BRACKET *	1
14	012152	SWITCH NUT	2
15	109372	INCLINE BRACKET SCREW *	1
16	109370	INCLINE OPTIC DISK	1
17	012108	LOCK NUT	6
18	115523	INCLINE MOTOR	1
19	013564	SIDE RAIL/LEG/MTR BOLT	7
20	031238	CHOKE	2
21	110447	CONTROLLER W/CN	1
.	.	108580 CONTROLLER	1
.	.	110440 CN-INSTALL INST.	1
22	109246	RIGHT SIDE RAIL	1
23	109095	HOOD ANCHOR	4
24	014157	GROUND WASHER	2
25	019084	GROMMET	1
26	031229	POWER CORD	1
27	109382	CIRCUIT BREAKER	1
28	109269	FRAME END CAP	2
29	104623	SAFETY COVER PIN	10
30	106615	FRONT ROLLER ADJ. BOLT	1
31	014127	ROLLER ADJUSTMENT WASHER	3
32	052014	FRONT WHEEL	2
33	105329	WHEEL BOLT	2
34	109105	INCLINE LEG	1
35	109265	BELT GUIDE	2
36	014087	SIDE RAIL WASHER	4
37	108603	SAFETY COVER	1
38	013207	CARRIAGE BOLT	1
39	014041	FLAT WASHER	2
40	104514	TENSION SPRING	1
41	012082	NUT	5
42	111335	FR RLR/SLV/PULY/DISK ASY*	1
.	.	109272 ROLLER/SLV/PULLEY	1
.	.	111332 SPEED OPTIC DISK	1
.	.	111335 CN-INSTALL INST.	1
43	124588	WALKING PLATFORM ASSEMBLY	1
.	.	124587 WALKING PLATFORM	1
.	.	127800 RAIL	12
.	.	110550 CN-INSTALL INST.	1
.	.	NOTE: THIS ASSEMBLY HAS	0
.	.	BEEN CHANGED FROM THE	0
.	.	ORIGINAL WAXED BOARD	0

MODEL NUMBER: PF90502
 VERSION: 00
 PRODUCT NAME: PROFORM ESP 10
 PRODUCT DESC:

MODEL/PART BOOK LISTING

PAGE 1
 IN1023P1
 RUN DATE: 7/25/96
 RUN TIME: 11:19:00

KEY NUMBER	PART NUMBER	DESCRIPTION	QUANTITY
1	109244	LEFT SIDE RAIL	1
2	013293	SIDE RAIL BOLT, 1.75"	2
3	109740	SAFETY KEY/CLIP *	1
4	054013	CLOTHES CLIP	1
5	119946	PULSE/CLOTHES CLIP ASSY.	1
6	108080	SMALL SCREW	35
7	116219	CONSOLE PLATE ASSEMBLY	1
8	109683	CONSOLE ASSEMBLY *	1
9	109253	SHORT WIRE HARNESS	2
10	110036	SIDE RAIL WIRE HARNESS	1
11	102959	SWITCH BOLT	2
12	102955	OPTIC SWITCH	2
13	109371	INCLINE SWITCH BRACKET *	1
14	012152	SWITCH NUT	2
15	109372	INCLINE BRACKET SCREW *	1
16	109370	INCLINE OPTIC DISK	1
17	012108	LOCK NUT	6
18	115523	INCLINE MOTOR	1
19	013564	SIDE RAIL/LEG/MTR BOLT	7
20	031238	CHOKE	2
21	110447	CONTROLLER W/CN	1
	.	108580 CONTROLLER	1
	.	110446 CN-INSTALL INST.	1
22	109246	RIGHT SIDE RAIL	1
23	109095	HOOD ANCHOR	6
24	014157	GROUND WASHER	2
25	019084	GROMMET	1
26	031229	POWER CORD	1
27	109382	CIRCUIT BREAKER	1
28	109269	FRAME ENDCAP	2
29	104623	SAFETY COVER PIN	10
30	106615	FRONT ROLLER ADJ. BOLT	1
31	014127	ROLLER ADJUSTMENT WASHER	3
32	052014	FRONT WHEEL	2
33	105329	WHEEL BOLT	2
34	109105	INCLINE LEG	1
35	109265	BELT GUIDE	2
36	014087	SIDE RAIL WASHER	4
37	108603	SAFETY COVER	1
38	013207	CARRIAGE BOLT	1
39	014041	FLAT WASHER	2
40	104514	TENSION SPRING	1
41	012082	NUT	5
42	111335	FR RLR/SLV/PULY/DISK ASY*	1
	.	109272 ROLLER/SLV/PULLEY	1
	.	111332 SPEED OPTIC DISK	1
	.	111333 CN-INSTALL INST.	1
43	124588	WALKING PLATFORM ASSEMBLY	1
	.	124587 WALKING PLATFORM	1
	.	127866 NAIL	12
	.	110585 CN-INSTALL INST.	1
	.	NOTE: THIS ASSEMBLY HAS	0
	.	BEEN CHANGED FROM THE	0
	.	ORIGINAL WAXED BOARD	0

MODEL NUMBER: PF90502
 VERSION: 00
 PRODUCT NAME: PROFORM ESP 10
 PRODUCT DESC:

MODEL/PART BOOK LISTING

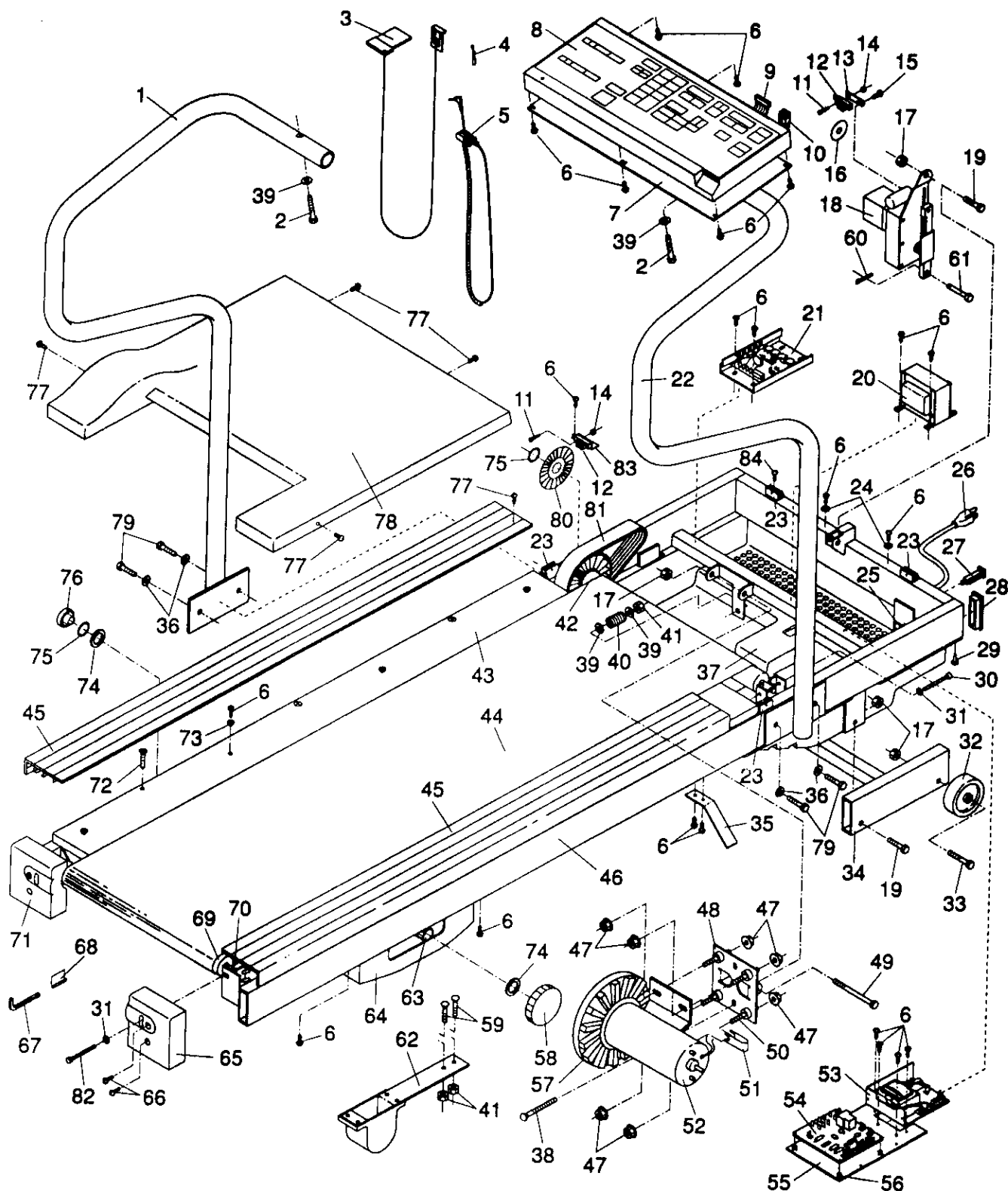
INI023P1

RUN DATE: 7/25/96
 RUN TIME: 11:19:00

KEY NUMBER	PART NUMBER	DESCRIPTION	QUANTITY
44	130471	WALKING BELT ASSEMBLY	1
45	112553	DECK RAIL *	2
46	NSP	FRAME	1
47	105477	MOTOR MOUNT NUT	8
48	110589	MOTOR MOUNT PLATE W/CN *	1
.	.	109242 MOTOR MOUNT PLATE	1
.	.	110587 CN-INSTALL INST.	1
49	101263	MOTOR PIVOT BOLT	1
50	108473	MOTOR ISOLATOR	4
51	108474	GROUND STRAP	1
52	110739	MOTOR W/CONSUMER NOTICE *	1
.	.	128417 MOTOR	1
.	.	110285 CN-INSTALL INST.	1
52A	110740	MOTOR/PULY/FLY/FAN ASSY.*	1
53	111794	POWER SUPPLY BOARD W/CN *	1
.	.	102870 POWER SUPPLY BOARD	1
.	.	111793 CN-INSTALL INST.	1
54	111562	INTERFACE BOARD W/CN *	1
.	.	110240 INTERFACE BOARD	1
.	.	015071 PLASTIC STAND-OFF	4
.	.	111563 CN-INSTALL INST.	1
55	109438	MOUNTING PLATE	1
56	015071	PLASTIC STAND-OFF	4
57	106114	PULLEY/FLYWHEEL/FAN ASSY.	1
58	109268	CUSHION KNOB	1
59	110926	CUSHION SPRING BOLT	4
60	106334	COTLER PIN	1
61	100896	INCLINE MOTOR PIN	1
62	109620	CUSHION SPRING/FOOT	2
63	109267	ADJUSTMENT ROD	1
64	110567	CUSHION COVER	2
65	108470	RIGHT ENDCAP	1
66	013300	ENDCAP SCREW	4
67	045010	ALLEN WRENCH	1
68	016028	TOOL CLAMP	1
69	110441	REAR ROLLER W/CN *	1
.	.	105894 REAR ROLLER	1
.	.	103847 CN-INSTALL INST.	1
70	110396	REAR ROLLER SPACER	2
71	108469	LEFT ENDCAP	1
72	100691	PLATFORM SCREW	6
73	109278	DECK RAIL WASHER	8
74	109723	ROD WASHER	2
75	108778	DISK RETAINER	2
76	109518	ROD ENDCAP	1
77	108404	HOOD/DECK RAIL SCREW	6
78	111973	MOTOR HOOD W/DECAL *	1
.	.	108433 MOTOR HOOD	1
.	.	110259 MOTOR HOOD DECAL	1
.	.	111027 WIRE DIAGRAM DECAL	1
79	101049	HOOD ANCHOR SCREW	4
80	111332	SPEED OPTIC DISK ASSY. *	1
.	.	110400 SPEED OPTIC DISK	1
.	.	108778 DISK RETAINER	1

EXPLODED DRAWING—Model No. PF905021

Rev. 1/93



MODEL NUMBER: PF90502
 VERSION: 01
 PRODUCT NAME: PROFORM ESP 10
 PRODUCT DESC:

MODEL/PART BOOK LISTING

PAGE 1
 INI023P1
 RUN DATE: 7/25/96
 RUN TIME: 11:19:08

KEY NUMBER	PART NUMBER	DESCRIPTION	QUANTITY
1	109244	LEFT SIDE RAIL	1
2	013293	SIDE RAIL BOLT, 1.75"	2
3	109740	SAFETY KEY/CLIP	1
4	054013	CLOTHES CLIP	1
5	119946	PULSE/CLOTHES CLIP ASSY.	1
6	108080	SMALL SCREW	33
7	116219	CONSOLE PLATE ASSEMBLY	1
8	109683	CONSOLE ASSEMBLY	1
9	109253	SHORT WIRE HARNESS	2
10	110036	SIDERAIL WIRE HARNESS	1
11	102959	SWITCH BOLT	2
12	102955	OPTIC SWITCH	2
13	109371	INCLINE SWITCH BRACKET	1
14	012152	SWITCH NUT	2
15	109372	INCLINE BRACKET SCREW	1
16	109370	INCLINE OPTIC DISK	1
17	012108	LOCK NUT	6
18	115523	INCLINE MOTOR	1
19	013564	LEG/MOTOR BOLT	3
20	109365	CHOKE	1
21	110447	CONTROLLER W/CN	1
.	.	108580 CONTROLLER	1
.	.	110446 CN-INSTALL INST.	1
22	109246	RIGHT SIDE RAIL	1
23	109095	HOOD ANCHOR	4
24	014157	GROUND WASHER	2
25	019084	GROMMET	1
26	031229	POWER CORD	1
27	109382	CIRCUIT BREAKER	1
28	109269	FRAME ENDCAP	2
29	104623	SAFETY COVER PIN	10
30	106615	FRONT ROLLER ADJ. BOLT	1
31	014127	ROLLER ADJ. WASHER	3
32	052014	FRONT WHEEL	2
33	105329	WHEEL BOLT	2
34	109105	INCLINE LEG	1
35	109265	BELT GUIDE	2
36	014087	SIDE RAIL WASHER	4
37	108603	SAFETY COVER	1
38	013207	CARRIAGE BOLT	1
39	014041	FLAT WASHER	4
40	104514	TENSION SPRING	1
41	012082	NUT	5
42	111335	FR RLR/SLV/PULY/DISK ASSY	1
.	.	109272 ROLLER/SLV/PULLEY	1
.	.	111332 SPEED OPTIC DISK	1
.	.	111333 CN-INSTALL INST.	1
43	124588	WALKING PLATFORM ASSEMBLY	1
.	.	124587 WALKING PLATFORM	1
.	.	127860 NAIL	12
.	.	110585 CN-INSTALL INST.	1
.	.	NOTE: THIS ASSEMBLY HAS	0
.	.	BEEN CHANGED FROM THE	0
.	.	ORIGINAL WAXED BOARD	0

MODEL NUMBER: PF90502
 VERSION: 01
 PRODUCT NAME: PROFORM ESP 10
 PRODUCT DESC:

MODEL/PART BOOK LISTING

PAGE 2
 IN1023P1

RUN DATE: 7/25/96
 RUN TIME: 11:19:08

KEY NUMBER	PART NUMBER	DESCRIPTION	QUANTITY
44	130471	WALKING BELT ASSEMBLY	1
45	112553	DECK RAIL	2
46	NSP	FRAME	1
47	105477	MOTOR MOUNT NUT	8
48	110589	MOTOR MOUNT PLATE W/CN	1
.	.	109242 MOTOR MOUNT PLATE	1
.	.	110587 CN-INSTALL INST.	1
49	101263	MOTOR PIVOT BOLT	1
50	108473	MOTOR ISOLATOR	4
51	108474	MOTOR GROUND STRAP	1
52	110739	MOTOR W/CONSUMER NOTICE	1
.	.	128417 MOTOR	1
.	.	110285 CN-INSTALL INST.	1
52A	110740	MOTOR/PULY/FLY/FAN/CN ASY	1
.	.	128417 MOTOR	1
.	.	106114 PULLEY/FLY/FAN ASY	1
.	.	110285 CN-INSTALL INST.	1
53	111794	POWER SUPPLY BOARD W/CN	1
.	.	102870 POWER SUPPLY BOARD	1
.	.	111793 CN-INSTALL INST.	1
54	111562	INTERFACE BOARD ASSEMBLY	1
.	.	110240 INTERFACE BOARD	1
.	.	015071 PLASTIC STAND-OFF	4
.	.	111563 CN-INSTALL INST.	1
55	109438	MOUNTING PLATE	1
56	015071	PLASTIC STAND-OFF	4
57	106114	PULLEY/FLYWHEEL/FAN ASSY.	1
58	109268	CUSHION KNOB	1
59	110926	CUSHION SPRING BOLT	4
60	106334	COTTER PIN	1
61	100896	INCLINE MOTOR PIN	1
62	109620	CUSHION SPRING ASSEMBLY	2
.	.	109260 CUSHION SPRING	1
.	.	109266 FOOT	1
.	.	112738 FASTENER	4
63	109267	ADJUSTMENT ROD	1
64	110567	CUSHION SPRING COVER	2
65	108470	RIGHT ENDCAP	1
66	013300	ENDCAP SCREW	4
67	045010	ALLEN WRENCH	1
68	016028	TOOL CLAMP	1
69	110441	REAR ROLLER W/CN	1
.	.	105894 REAR ROLLER	1
.	.	103847 CN-INSTALL INST.	1
70	110396	REAR ROLLER SPACER	2
71	108469	LEFT ENDCAP	1
72	100691	PLATFORM SCREW	6
73	109278	DECK RAIL WASHER	8
74	109723	ADJUSTMENT ROD WASHER	2
75	108778	DISK RETAINER	2
76	109518	ADJUSTMENT ROD ENDCAP	1
77	108404	HOOD/DECK RAIL SCREW	6
78	111973	MOTOR HOOD W/DECALS	1
.	.	108433 MOTOR HOOD	1

MODEL NUMBER: PF90502
 VERSION: 01
 PRODUCT NAME: PROFORM ESP 10
 PRODUCT DESC:

MODEL/PART BOOK LISTING

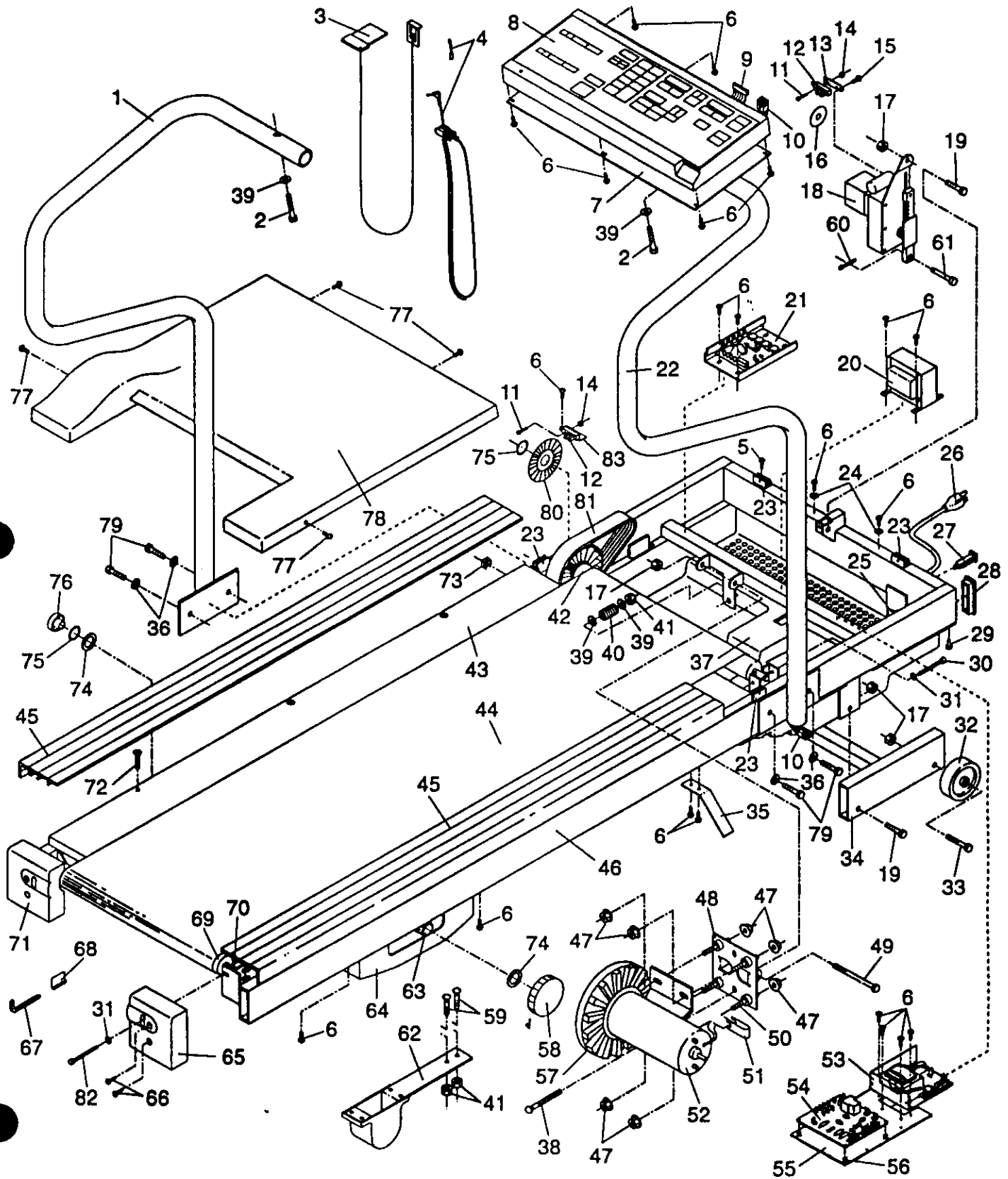
PAGE 3

INI023P1
 RUN DATE: 7/25/96
 RUN TIME: 11:19:08

KEY NUMBER	PART NUMBER	DESCRIPTION	QUANTITY
	.	110259 MOTOR HOOD DECAL	1
	.	111027 WIRE DIAGRAM DECAL	1
79	116068	SIDE RAIL BOLT	4
80	111332	SPEED OPTIC DISK ASSY.	1
	.	110400 SPEED OPTIC DISK	1
	.	108778 DISK RETAINER	1
	.	111331 CN-INSTALL INST.	1
81	106939	BELT	1
82	105444	REAR ROLLER ADJ. BOLT	2
83	109103	SPEED SWITCH BRACKET	1
84	101049	HOOD ANCHOR SCREW	4
.	.	NON-ILLUSTRATED PARTS:	0
#	111430	CAGE NUT	4
#	109333	DECK CUSHION DECAL	1
#	110259	MOTOR HOOD DECAL	1
#	111027	WIRE DIAGRAM DECAL	1
#	111060	OWNER'S MANUAL	1
	111061	LITERATURE PACKET	1
.	.	111060 OWNER'S MANUAL	1
.	.	112589 PULSE EARCLIP	1
.	.	109282 HARDWARE KIT	1
.	.	016028 TOOL CLAMP	1
.	.	045010 ALLEN WRENCH	1
.	.	014087 FLAT WASHER	4
.	.	104063 1.75" SDRL BOLT	4
.	.	013293 1.75" SDRL BOLT	2
.	.	014041 WASHER	2
.	.	*--THIS IS AN ESTIMATED	0
.	.	COST!!!!!!	0

EXPLODED DRAWING—Model No. PF905022

Rev. 8/93



MODEL NUMBER: PF90502
 VERSION: 02
 PRODUCT NAME: PROFORM ESP 10
 PRODUCT DESC:

MODEL/PART BOOK LISTING

PAGE 1
 INI023P1

RUN DATE: 7/25/96
 RUN TIME: 11:19:16

KEY NUMBER	PART NUMBER	DESCRIPTION	QUANTITY
1	109244	LEFT SIDE RAIL	1
2	013293	SIDE RAIL BOLT, 1.75"	2
3	109740	SAFETY KEY/CLIP	1
4	119946	PULSE/CLOTHES CLIP ASSY.	1
5	013282	HOOD ANCHOR SCREW	4
6	108080	SMALL SCREW	25
7	116219	CONSOLE PLATE ASSEMBLY	1
8	109683	CONSOLE ASSEMBLY	1
9	109253	SHORT WIRE HARNESS	2
10	110036	SIDERAIL WIRE HARNESS	1
11	102959	SWITCH BOLT	2
12	102955	OPTIC SWITCH	2
13	109371	INCLINE SWITCH BRACKET	1
14	012152	SWITCH NUT	2
15	109372	INCLINE BRACKET SCREW	1
16	109370	INCLINE OPTIC DISK	1
17	012108	LOCK NUT	6
18	115523	INCLINE MOTOR	1
19	013564	LEG/MOTOR BOLT	3
20	109365	CHOKE	1
21	110447	CONTROLLER W/RI	1
	.	108580 CONTROLLER	1
	.	110446 REPLACEMENT INSTR.	1
22	109246	RIGHT SIDE RAIL	1
23	109095	HOOD ANCHOR	4
24	014157	GROUND WASHER	2
25	019084	GROMMET	1
26	031229	POWER CORD	1
27	109382	CIRCUIT BREAKER	1
28	109269	FRAME ENDCAP	2
29	104623	SAFETY COVER PIN	10
30	106615	FRONT ROLLER ADJ. BOLT	1
31	014127	ROLLER ADJ. WASHER	3
32	052014	FRONT WHEEL	2
33	105329	WHEEL BOLT	2
34	109105	INCLINE LEG	1
35	109265	BELT GUIDE	2
36	014087	SIDE RAIL WASHER	8
37	108603	SAFETY COVER	1
38	013207	CARRIAGE BOLT	1
39	014041	FLAT WASHER	4
40	104514	TENSION SPRING	1
41	012082	NUT	5
42	111335	FR RLR/SLV/PULY/DISK ASSY	1
43	124588	WALKING PLATFORM ASSEMBLY	1
	.	124587 WALKING PLATFORM	1
	.	127860 NAIL	12
	.	110585 REPLACEMENT INSTR.	1
	.	NOTE: THIS ASSEMBLY HAS	0
	.	BEEN CHANGED FROM THE	0
	.	ORIGINAL WAXED BOARD	0
44	130471	WALKING BELT ASSEMBLY	1
45	112553	DECK RAIL	2
46	NSP	FRAME	1

MODEL NUMBER: PF90502
 VERSION: 02
 PRODUCT NAME: PROFORM ESP 10
 PRODUCT DESC:

MODEL/PART BOOK LISTING

PAGE 2
 IN1023P1
 RUN DATE: 7/25/96
 RUN TIME: 11:19:16

KEY NUMBER	PART NUMBER	DESCRIPTION	QUANTITY
47	105477	MOTOR MOUNT NUT	8
48	110589	MOTOR MOUNT PLATE W/RI	1
	.	109242 MOTOR MOUNT PLATE	1
	.	110587 REPLACEMENT INSTR.	1
49	101263	MOTOR PIVOT BOLT	1
50	108473	MOTOR ISOLATOR	4
51	108474	MOTOR GROUND STRAP	1
52	114564	MOTOR ASSEMBLY	1
	.	119991 MOTOR	1
.	.	116878 HARDWARE KIT	1
.	.	122179 CN-MTR CHANGE	1
.	.	110587 REPLACEMENT INSTR.	1
52A	114565	MOTOR/PULY/FLY/FAN/RI ASY	1
	.	119991 MOTOR	1
	.	112825 PULLEY/FLY/FAN ASY	1
	.	110587 REPLACEMENT INSTR.	1
.	.	116878 HARDWARE KIT	1
.	.	122179 CN-MOTOR CHANGE	1
53	111794	POWER SUPPLY BOARD W/RI	1
	.	102870 POWER SUPPLY BOARD	1
	.	111793 REPLACEMENT INSTR.	1
54	111562	INTERFACE BOARD ASSEMBLY	1
	.	110240 INTERFACE BOARD	1
	.	015071 PLASTIC STAND-OFF	4
	.	111563 REPLACEMENT INSTR.	1
55	109438	MOUNTING PLATE	1
56	015071	PLASTIC STAND-OFF	4
57	112825	PULLEY/FLYWHEEL/FAN ASSY.	1
58	109268	CUSHION KNOB	1
59	110926	CUSHION SPRING BOLT	4
60	106334	COTTER PIN	1
61	112669	INCLINE MOTOR PIN	1
62	109620	CUSHION SPRING ASSEMBLY	2
	.	109260 CUSHION SPRING	1
	.	109266 FOOT	1
	.	112738 FASTENER	4
63	109267	ADJUSTMENT ROD	1
64	110567	CUSHION SPRING COVER	2
65	108470	RIGHT ENDCAP	1
66	013300	ENDCAP SCREW	4
67	045010	ALLEN WRENCH	1
68	016028	TOOL CLAMP	1
69	110441	REAR ROLLER W/RI	1
	.	105894 REAR ROLLER	1
	.	103847 REPLACEMENT INSTR.	1
70	110396	REAR ROLLER SPACER	2
71	108469	LEFT ENDCAP	1
72	100691	PLATFORM SCREW	6
73	111869	CAGE NUT	4
74	109723	ADJUSTMENT ROD WASHER	2
75	108778	DISK RETAINER	2
76	109518	ADJUSTMENT ROD ENDCAP	1
77	108404	HOOD/DECK RAIL SCREW	6
78	111973	MOTOR HOOD W/DECALS	1

MODEL NUMBER: PF90502
 VERSION: 02
 PRODUCT NAME: PROFORM ESP 10
 PRODUCT DESC:

MODEL/PART BOOK LISTING

PAGE 3
 INI023P1

RUN DATE: 7/25/96
 RUN TIME: 11:19:16

KEY NUMBER	PART NUMBER	DESCRIPTION	QUANTITY
.	.	108433 MOTOR HOOD	1
.	.	110259 MOTOR HOOD DECAL	1
.	.	111027 WIRE DIAGRAM DECAL	1
79	116068	SIDE RAIL BOLT	4
80	111332	SPEED OPTIC DISK ASSY.	1
.	.	110400 SPEED OPTIC DISK	1
.	.	108778 DISK RETAINER	1
.	.	111331 REPLACEMENT INSTR.	1
81	106939	BELT	1
82	105444	REAR ROLLER ADJ. BOLT	2
83	109103	SPEED SWITCH BRACKET	1
.	.	NON-ILLUSTRATED PARTS:	0
#	107617	FRAME DECAL	1
#	109333	DECK CUSHION DECAL	1
#	110259	MOTOR HOOD DECAL	1
#	111027	WIRE DIAGRAM DECAL	1
#	113532	OWNER'S MANUAL	1
.	113533	LITERATURE PACKET	1
.	.	113532 OWNER'S MANUAL	1
.	.	112589 PULSE EARCLIP	1
.	.	115967 CN-SDRAIL MOUNTING	1
.	.	109282 HARDWARE KIT	1
.	.	016028 TOOL CLAMP	1
.	.	045010 ALLEN WRENCH	1
.	.	014087 FLAT WASHER	8
.	.	104063 SIDERAIL BOLT	4
.	.	013293 1.75" SDRL BOLT	2
.	.	014041 WASHER	2