

HISTORY

PRODUCT NUMBER: PF91003

PRODUCT NAME: PROFORM 910

DESCRIPTION: 0-6 MPH, DC treadmill, built on Rambo frame,
manual incline, center upright with full cage
siderails, 13 x 45 walking belt

NO PULSE

COLORS: PROFORM WHITE: Steel

BLACK: Endcaps, console, deck rails, motor
hood

SHIPPING SPEC:

ASSEMBLED SPEC:

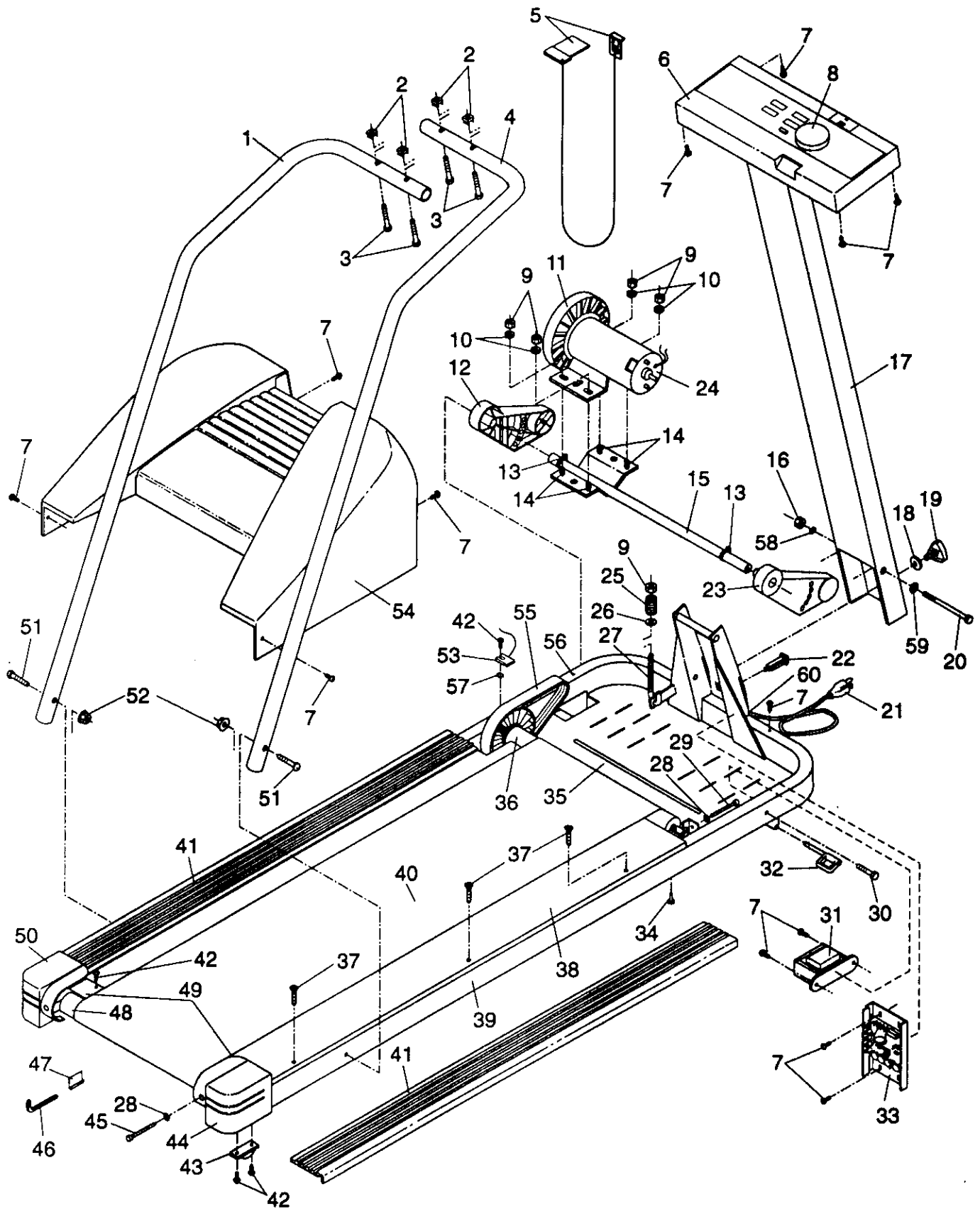
ELECTRONICS: ECT71, 4-Window, Without Pulse

<u>MFG LOCATION</u>	<u>APPROX DATE BEGAN</u>	<u>APPROX DATE END</u>	<u>VERSION</u>
Weslo Logan	7/93		PF910030
Weslo Logan	2/94		PF910031

NOTE: SOME UNITS OF THE PF91003 VERSION 1 WERE
SENT OUT WITH THE 0 VERSION OWNER'S MANUAL
AND A CONSUMER NOTICE THAT SAID THEY HAD
RECEIVED WL91003 VERSION 1.

EXPLODED DRAWING—Model No. PF910030

Rev. 7/93



MODEL NUMBER: PF91003
 VERSION: 00
 PRODUCT NAME: PF91003
 PRODUCT DESC:

MODEL/PART BOOK LISTING

PAGE 1
 INI023P1

RUN DATE: 2/07/97
 RUN TIME: 19:49:34

KEY NUMBER	PART NUMBER	DESCRIPTION	QUANTITY
1	113059	LEFT SIDERAIL	1
2	111430	CAGE NUT	4
3	106279	CONSOLE BOLT	4
4	113061	RIGHT SIDERAIL	1
5	106337	SAFETY KEY/CLIP	1
6	114363	CONSOLE ASSEMBLY	1
7	108404	SMALL SCREW	13
8	110000	SPEED CONTROL KNOB	1
9	012082	MOTOR NUT/TENSION NUT	5
10	101630	MOTOR WASHER	4
11	108277	PULLEY/FLYWHEEL/FAN	1
12	101753	LEFT INCLINE LEG	1
13	016026	HOSE CLAMP	2
14	013445	MOTOR BOLT	4
15	110244	MTR MTG SWIVEL SHAFT W/CN	1
.	.	102087 MTR MTG SWIVEL	1
.	.	102978 CN-INSTALL INSTR.	1
16	012108	PIVOT NUT	1
17	113056	UPRIGHT	1
18	014156	LOCK KNOB WASHER	1
19	017088	LOCK KNOB	1
20	104925	SWIVEL BOLT	1
21	031229	POWER CORD	1
22	109383	CIRCUIT BREAKER	1
23	101754	RIGHT INCLINE LEG	1
24	114912	MOTOR W/CN	1
.	.	113271 MOTOR	1
.	.	102978 CN-INSTALL INSTR.	1
24A	114913	MOTOR ASSEMBLY	1
25	104514	TENSION SPRING	1
26	014041	TENSION WASHER	1
27	103855	J-BOLT	1
28	014127	ROLLER ADJ. WASHER	3
29	013275	FRONT ROLLER ADJ. BOLT	1
30	104624	SWIVEL SHAFT BOLT	2
31	031238	CHOKE	1
32	100298	HITCH PIN	2
33	129854	CONTROLLER W/CN	1
34	104623	PLASTIC FASTENER	12
35	105589	SAFETY COVER	1
36	107873	FRONT ROLLER/PULLEY/CN	1
37	100691	PLATFORM SCREW	6
38	110253	WALKING PLATFORM W/CN	1
.	.	053025 WALKING PLATFORM	1
.	.	110252 CN-INSTALL INSTR.	1
39	NSP	FRAME	1
40	126432	WALKING BELT ASSEMBLY	1
.	.	124284 WALKING BELT	1
.	.	127860 NAIL	12
.	.	110237 REPLACEMENT INST.	1
41	114359	DECK RAIL	2
42	013300	SCREW	7
43	005040	LEG	2
44	113054	RIGHT ROLLER ENDCAP	1

MODEL NUMBER: PF91003
VERSION: 00
PRODUCT NAME: PF91003
PRODUCT DESC:

MODEL/PART BOOK LISTING

PAGE 2
INI023P1

RUN DATE: 2/07/97
RUN TIME: 19:49:34

KEY NUMBER	PART NUMBER	DESCRIPTION	QUANTITY
45	105444	REAR ROLLER ADJ. BOLT	2
46	045010	ALLEN WRENCH	1
47	016028	WRENCH CLIP	1
48	110245	REAR ROLLER W/CN	1
	.	070084 REAR ROLLER	1
	.	103847 CN-INSTALL INSTR.	1
49	010206	ROLLER GUARD	2
50	113053	LEFT ROLLER ENDCAP	1
51	105722	SIDERAIL BOLT	2
52	105477	SIDERAIL NUT	2
53	115569	REED SWITCH/SENSOR WIRE	1
54	114360	MOTOR HOOD W/DECALS	1
	.	113065 MOTOR HOOD	1
	.	113064 MOTOR HOOD DECAL	1
	.	113083 WIRE DIAGRAM	1
55	106939	MOTOR BELT	1
56	016055	WIRE CLIP	4
57	014157	STAR WASHER	1
58	104345	UPRIGHT STAR WASHER	1
59	014087	FLAT UPRIGHT WASHER	1
60	019084	GROMMET	1
	.	NON-ILLUSTRATED PARTS	0
#	129416	POTENTIOMETER	1
#	NLA	BATTERY	2
#	110402	BATTERY COVER (SNAP ON)	1
#	100916	SILICONE	1
#	100498	MAGNET	1
#	113064	MOTOR HOOD DECAL	1
#	113083	WIRE DIAGRAM DECAL	1
#	113068	OWNER'S MANUAL	1
#	113069	LITERATURE PACKET	1
	.	113068 OWNER'S MANUAL	1
	.	017088 LOCK KNOB	1
	.	014156 LOCK KNOB WASHER	1
	.	070307 SILICONE	1
	.	113071 HARDWARE KIT	1
	.	016028 WRENCH CLIP	1
	.	045010 ALLEN WRENCH	1
	.	105722 SDRAIL BOLT, 3"	2
	.	105477 SDRAIL NUT	2
	.	106279 CONSOLE BOLT, 2"	4