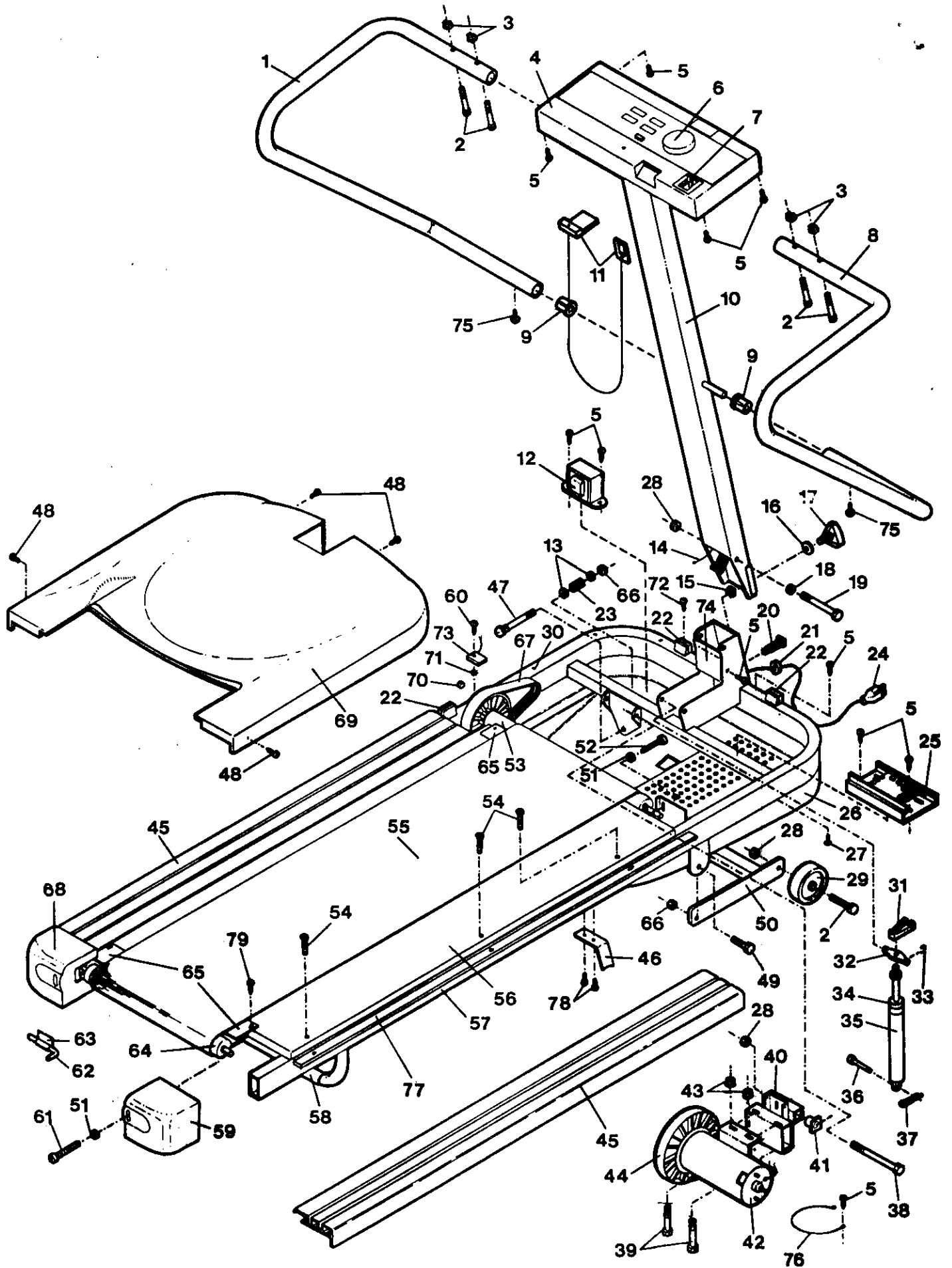


# EXPLODED DRAWING—Model No. PF920033

R694A



MODEL NUMBER: PF92003  
 VERSION: 03  
 PRODUCT NAME: PROFORM 920  
 PRODUCT DESC:

MODEL/PART BOOK LISTING

PAGE 1  
 INI023P1  
 RUN DATE: 3/10/97  
 RUN TIME: 16:27:42

KEY NUMBER	PART NUMBER	DESCRIPTION	QUANTITY
1	113495	LEFT SIDERAIL	1
2	013564	CONSOLE BOLT	4
3	111430	CONSOLE CAGE NUT	4
4	113707	CONSOLE ASSEMBLY	1
5	108080	SCREW	17
6	110000	SPEED CONTROL KNOB	1
7	109791	INCLINE CONTROL	1
8	113496	RIGHT SIDERAIL	1
9	113382	SIDERAIL BUSHING	2
10	113403	UPRIGHT	1
11	106337	SAFETY KEY/CLIP	1
12	031238	CHOKE	1
13	014041	TENSION WASHER	2
14	088006	INCLINE CABLE	1
15	111869	UPRIGHT CAGE NUT	1
16	014156	LOCK KNOB WASHER	1
17	017088	LOCK KNOB	1
18	014087	PIVOT WASHER	2
19	104049	PIVOT BOLT	1
20	109382	CIRCUIT BREAKER	1
21	019084	GROMMET	1
22	113106	HOOD BRACKET	3
23	104514	TENSION SPRING	1
24	031229	POWER CORD	1
25	129854	CONTROLLER W/RI	1
26	123712	BELLY PAN	1
27	013088	BELLY PAN SCREW	8
28	012108	LOCK NUT	4
29	052014	FRONT WHEEL	2
30	016055	WIRE CLIP	4
31	088004	SHOCK RELEASE	1
32	115672	SHOCK BRACKET	1
33	054016	E-CLIP	1
34	059019	SHOCK CUSHION	1
35	111436	INCLINE SHOCK W/RI	1
	.	112582 INCLINE SHOCK	1
	.	111435 REPLACEMENT INSTR.	1
36	106616	SHOCK PIN	1
37	106334	COTTER PIN	1
38	101263	MOTOR PIVOT BOLT	1
39	123385	MOTOR MOUNT BOLT	2
40	116812	MOTOR MOUNT PLATE W/RI	1
	.	117161 MOTOR MOUNT PLATE	1
	.	122470 REPLACEMENT INSTR.	1
41	115706	MOTOR ISOLATOR	2
42	116810	MOTOR ASSEMBLY	1
	.	124183 MOTOR	1
	.	122470 CN-MOTOR CHANGE	1
42A	116811	MTR/PULY/FLWH/FAN ASSY	1
	.	124183 MOTOR	1
	.	122470 CN-MOTOR CHANGE	1
	.	108276 PULY/FLWH/FAN	1
43	105477	MOTOR NUT	2
44	108276	PULLEY/FLYWHEEL/FAN ASSY.	1

MODEL NUMBER: PF92003  
 VERSION: 03  
 PRODUCT NAME: PROFORM 920  
 PRODUCT DESC:

MODEL/PART BOOK LISTING

PAGE 2  
 INI023P1

RUN DATE: 3/10/97  
 RUN TIME: 16:27:42

KEY NUMBER	PART NUMBER	DESCRIPTION	QUANTITY
45	116506	DECK RAIL	2
46	109265	BELT GUIDE	2
47	103855	MOTOR TENSION BOLT	1
48	108404	HOOD SCREW	4
49	013303	INCLINE LEG BOLT	2
50	113412	INCLINE LEG	1
51	014127	ROLLER ADJUSTMENT WASHER	3
52	112609	FRONT ROLLER ADJ. BOLT	1
53	117273	FRONT ROLLER/PULLEY	1
54	100691	PLATFORM SCREW	6
55	126255	WALKING BELT ASSEMBLY	1
.	.	124299 WALKING BELT	1
.	.	127860 NAIL	12
.	.	110237 REPLACEMENT INSTR.	1
56	118351	WALKING PLATFORM W/RI	1
.	.	118128 WALKING PLATFORM	1
.	.	118352 REPLACEMENT INSTR.	1
57	NSP	FRAME	1
58	110407	REAR LEG PAD	1
59	112293	RIGHT ROLLER BRACKET	1
60	013300	RSW MOUNTING SCREW	1
61	105444	REAR ROLLER ADJ. BOLT	2
62	045010	ALLEN WRENCH	1
63	016028	WRENCH CLIP	1
64	110245	REAR ROLLER W/RI	1
.	.	070084 REAR ROLLER	1
.	.	103847 REPLACEMENT INSTR.	1
65	010206	ROLLER GUARD	3
66	012082	TENSION/INCLINE LEG NUT	3
67	106939	BELT	1
68	112292	LEFT ROLLER BRACKET	1
69	117336	MOTOR HOOD W/DECALS	1
.	.	110083 MOTOR HOOD	1
.	.	113420 MOTOR HOOD DECAL	1
.	.	116559 WIRE DIAGRAM DECAL	1
70	100498	MAGNET	1
71	014157	REED SWITCH WASHER	1
72	013282	HOOD BRACKET SCREW	3
73	115569	REED SWITCH/SENSOR WIRE	1
74	112910	WIRE COVER	1
75	100998	SIDERAIL SCREW	2
76	031182	GROUND WIRE	1
77	118127	SHIM	2
78	013423	BELT GUIDE SCREW	4
79	013162	FINGER GUARD SCREW	3
.	.	NON-ILLUSTRATED PARTS:	0
#	NLA	BATTERY (AA)	2
#	110402	BATTERY COVER (SNAP-ON)	1
#	113141	FRAME DECAL	1
#	113420	MOTOR HOOD DECAL	1
#	116559	WIRE DIAGRAM DECAL	1
#	120455	OWNER'S MANUAL VER.2 W/CN	1
.	118337	LITERATURE PACKET	1
.	.	115699 OM, VERSION 2	1

MODEL NUMBER: PF92003  
VERSION: 03  
PRODUCT NAME: PROFORM 920  
PRODUCT DESC:

MODEL/PART BOOK LISTING

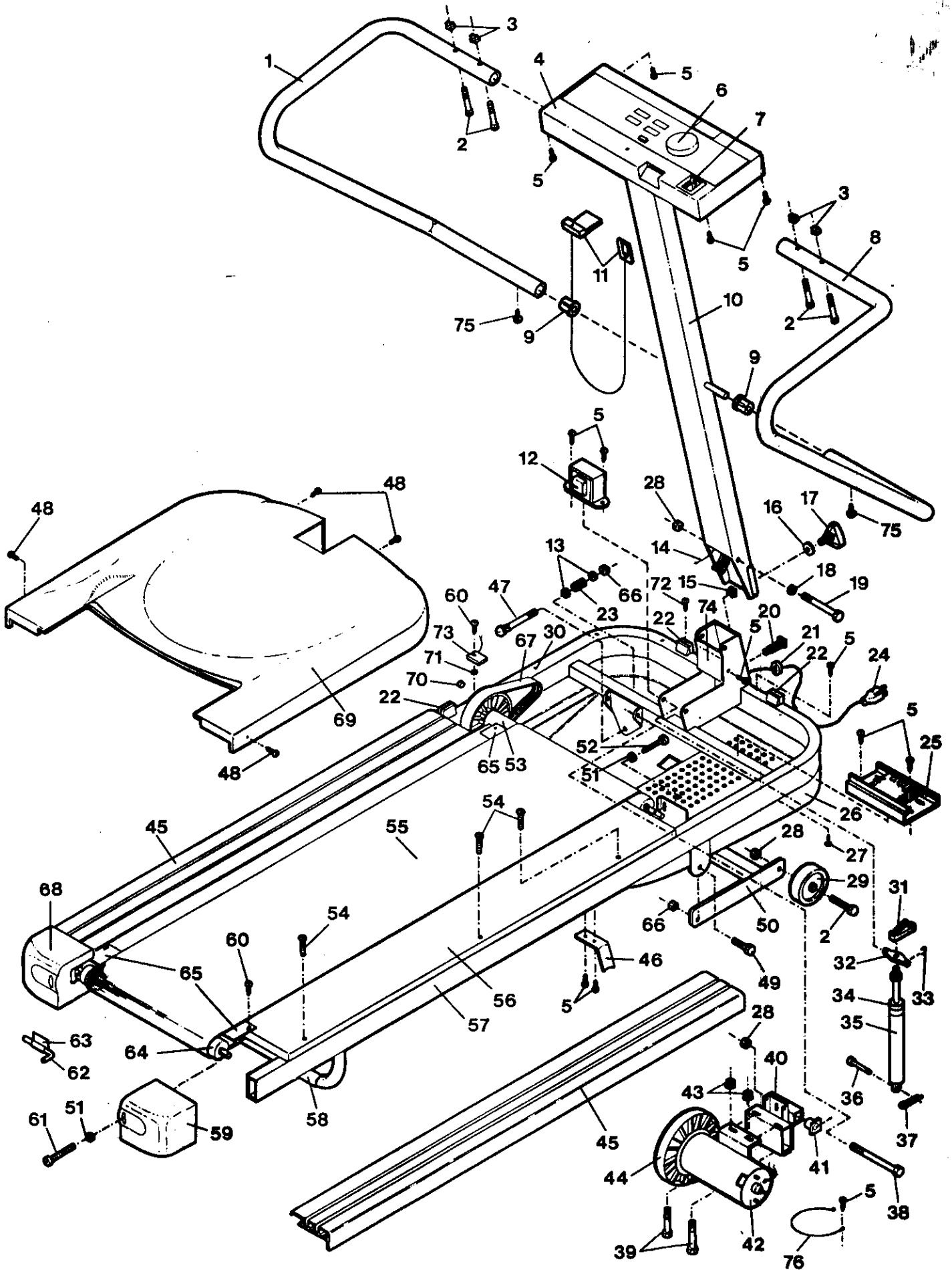
PAGE 3  
INI023P1

RUN DATE: 3/10/97  
RUN TIME: 16:27:42

KEY NUMBER	PART NUMBER	DESCRIPTION	QUANTITY
.	.	118217 CN, VERSION ID	1
.	.	017088 LOCK KNOB	1
.	.	070307 SILICONE	1
.	.	112817 HARDWARE KIT	1
.	.	014156 LOCK KNOB WASHER	1
.	.	016028 WRENCH CLIP	1
.	.	045010 ALLEN WRENCH	1

# EXPLODED DRAWING—Model No. PF920032

Rev. 12/93



MODEL NUMBER: PF92003  
VERSION: 02  
PRODUCT NAME: PROFORM 920  
PRODUCT DESC:

MODEL/PART BOOK LISTING

PAGE 1  
INI023P1  
RUN DATE: 3/10/97  
RUN TIME: 16:27:34

KEY NUMBER	PART NUMBER	DESCRIPTION	QUANTITY
1	113495	LEFT SIDERAIL	1
2	013564	CONSOLE/WHEEL BOLT	6
3	111430	CONSOLE CAGE NUT	4
4	113707	CONSOLE ASSEMBLY	1
5	108080	SCREW	14
6	110000	SPEED CONTROL KNOB	1
7	109791	INCLINE CONTROL W/RI	1
.	.	088003 INCLINE CONTROL	1
.	.	125151 FASTENER	1
.	.	109783 REPLACEMENT INSTR.	1
8	113496	RIGHT SIDERAIL	1
9	113382	SIDERAIL BUSHING	2
10	113403	UPRIGHT	1
11	106337	SAFETY KEY/CLIP	1
12	031238	CHOKE	1
13	014041	TENSION WASHER	2
14	088006	INCLINE CABLE	1
15	111869	UPRIGHT CAGE NUT	1
16	014156	LOCK KNOB WASHER	1
17	017088	LOCK KNOB	1
18	014087	PIVOT WASHER	2
19	104049	PIVOT BOLT	1
20	109382	CIRCUIT BREAKER	1
21	019084	GROMMET	1
22	113106	HOOD BRACKET	3
23	104514	TENSION SPRING	1
24	031229	POWER CORD	1
25	129854	CONTROLLER W/RI	1
26	123712	BELLY PAN	1
27	013088	BELLY PAN SCREW	8
28	012108	LOCK NUT	4
29	052014	FRONT WHEEL	2
30	016055	WIRE CLIP	4
31	088004	SHOCK RELEASE	1
32	115672	SHOCK BRACKET	1
33	054016	E-CLIP	1
34	059019	SHOCK CUSHION	1
35	111436	INCLINE SHOCK W/RI	1
.	.	112582 INCLINE SHOCK	1
.	.	111435 REPLACEMENT INSTR.	1
36	106616	SHOCK PIN	1
37	106334	COTTER PIN	1
38	101263	MOTOR PIVOT BOLT	1
39	123385	MOTOR MOUNT BOLT	2
40	116812	MOTOR MOUNT PLATE W/RI	1
.	.	117161 MOTOR MOUNT PLATE	1
.	.	122470 REPLACEMENT INSTR.	1
41	115706	MOTOR ISOLATOR	2
42	113800	MOTOR ASSEMBLY	1
.	.	124183 MOTOR	1
.	.	122470 CN-MOTOR CHANGE	1
.	.	116878 HARDWARE KIT	1
.	.	110587 REPLACEMENT INSTR.	1
42A	113801	MTR/PULY/FLWH/FAN ASSY	1

MODEL NUMBER: PF92003  
 VERSION: 02  
 PRODUCT NAME: PROFORM 920  
 PRODUCT DESC:

MODEL/PART BOOK LISTING

PAGE 2  
 INI023P1

RUN DATE: 3/10/97  
 RUN TIME: 16:27:34

KEY NUMBER	PART NUMBER	DESCRIPTION	QUANTITY
.	.	124183 MOTOR	1
.	.	122470 CN-MOTOR CHANGE	1
.	.	108276 PULY/FLWH/FAN	1
.	.	110587 REPLACEMENT INSTR.	1
.	.	116878 HARDWARE KIT	1
43	105477	MOTOR NUT	2
44	108276	PULLEY/FLYWHEEL/FAN ASSY.	1
45	116506	DECK RAIL	2
46	109265	BELT GUIDE	2
47	103855	MOTOR TENSION BOLT	1
48	108404	HOOD SCREW	4
49	013303	INCLINE LEG BOLT	2
50	113412	INCLINE LEG	1
51	014127	ROLLER ADJUSTMENT WASHER	3
52	112609	FRONT ROLLER ADJ. BOLT	1
53	117273	FRONT ROLLER/PULLEY	1
54	100691	PLATFORM SCREW	6
55	126255	WALKING BELT ASSEMBLY	1
.	.	124299 WALKING BELT	1
.	.	127860 NAIL	12
.	.	110237 REPLACEMENT INSTR.	1
56	110822	WALKING PLATFORM W/RI	1
.	.	109964 WALKING PLATFORM	1
.	.	110583 REPLACEMENT INSTR.	1
57	NSP	FRAME	1
58	110407	REAR LEG PAD	1
59	112293	RIGHT ROLLER BRACKET	1
60	013300	SMALL SCREW	4
61	105444	REAR ROLLER ADJ. BOLT	2
62	045010	ALLEN WRENCH	1
63	016028	WRENCH CLIP	1
64	110245	REAR ROLLER W/RI	1
.	.	070084 REAR ROLLER	1
.	.	103847 REPLACEMENT INSTR.	1
65	010206	ROLLER GUARD	3
66	012082	TENSION/INCLINE LEG NUT	3
67	106939	BELT	1
68	112292	LEFT ROLLER BRACKET	1
69	117336	MOTOR HOOD W/DECALS	1
.	.	110083 MOTOR HOOD	1
.	.	113420 MOTOR HOOD DECAL	1
.	.	116559 WIRE DIAGRAM DECAL	1
70	100498	MAGNET	1
71	014157	REED SWITCH WASHER	1
72	013282	HOOD BRACKET SCREW	3
73	115569	REED SWITCH/SENSOR WIRE	1
74	112910	WIRE COVER	1
75	100998	SIDERAIL SCREW	2
76	031182	GROUND WIRE	1
.	.	NON-ILLUSTRATED PARTS:	0
#	NLA	BATTERY (AA)	2
#	110402	BATTERY COVER (SNAP-ON)	1
#	113141	FRAME DECAL	1
#	113420	MOTOR HOOD DECAL	1

MODEL NUMBER: PF92003  
VERSION: 02  
PRODUCT NAME: PROFORM 920  
PRODUCT DESC:

MODEL/PART BOOK LISTING

PAGE 3  
INIO23P1  
RUN DATE: 3/10/97  
RUN TIME: 16:27:34

KEY NUMBER	PART NUMBER	DESCRIPTION	QUANTITY
#	116559	WIRE DIAGRAM DECAL	1
#	115699	OWNER'S MANUAL, VER. 2	1
	115700	LITERATURE PACKET	1
	.	115699 OM, VER. 2	1
	.	017088 LOCK KNOB	1
	.	070307 SILICONE	1
	.	112817 HARDWARE KIT	1
	.	014156 LOCK KNOB WASHER	1
	.	016028 WRENCH CLIP	1
	.	045010 ALLEN WRENCH	1