

HISTORY

PRODUCT NUMBER: PF93003

PRODUCT NAME: PROFORM 930

DESCRIPTION: 1993 Treadmill
0-10 MPH, DC treadmill, built on a low profile frame, with auto incline, isolated motor, full cage siderails, 16 x 45" walking belt

COLORS: PROFORM WHITE: Frame, siderails
BLACK: Motor hood, console, walking belt, endcaps

SHIPPING SPEC:

ASSEMBLED SPEC:

ELECTRONICS: VERSIONS 0 & 1 & 3
ECT70 Console - 115470
Battery - (2) 033021
Battery Cover - 110402

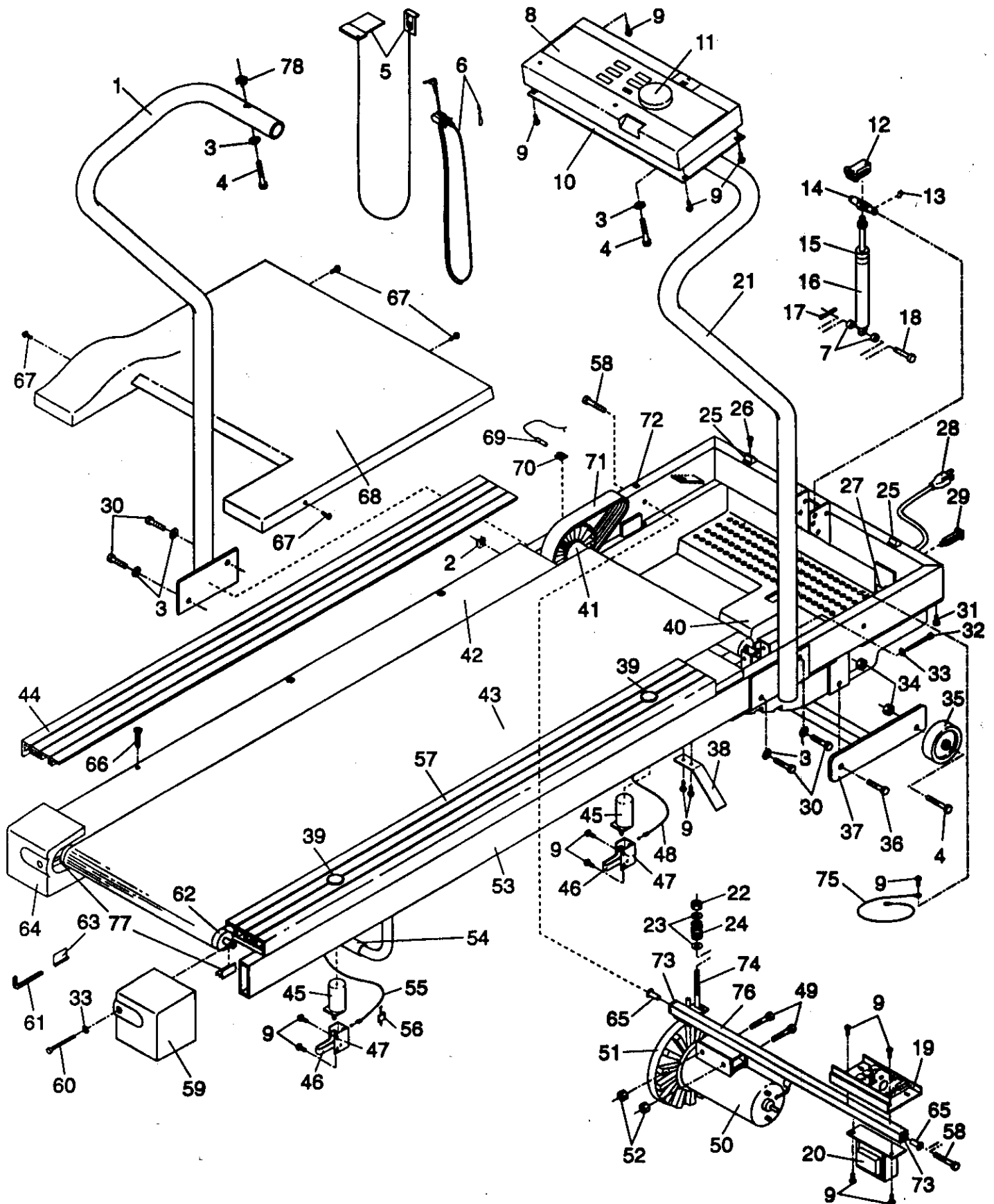
VERSION 2
Options Electronic Assembly - 109356
No Battery or Battery Cover

<u>MFG LOCATION</u>	<u>APPROX DATE BEGAN</u>	<u>APPROX DATE END</u>	<u>VERSION</u>
Logan	9/30/93	11/93	PF930030
Logan	12/93		PF930031
Logan	12/93	1/94	*PF930032
Logan	1/94		PF930033

*NOTE: WARRANTY TURNED ABOUT 600 UNITS OF THE 29705 INTO THE PF93003 VERSION 2. IT HAS AUTO INCLINE AND ADJUSTABLE REAR CUSHION.

EXPLODED DRAWING—Model No. PF930030

Rev. 9/93



MODEL NUMBER: PF93003
VERSION: 00
PRODUCT NAME: PROFORM 930
PRODUCT DESC: TREADMILL

MODEL/PART BOOK LISTING

PAGE 1
INI023P1
RUN DATE: 4/25/95
RUN TIME: 16:22:25

KEY NUMBER	PART NUMBER	DESCRIPTION	QUANTITY
1	113237	LEFT SIDERAIL	1
2	111869	SIDERAIL CAGE NUT	6
3	014087	SIDERAIL WASHER	10
4	013564	CONSOLE/WHEEL BOLT	4
5	106337	SAFETY KEY/CLIP	1
6	112589	PULSE/CLOTHES CLIP	1
7	114270	SHOCK SPACER	2
8	115470	CONSOLE ASSEMBLY	1
.	.	113810 CONSOLE	1
.	.	040185 CONSOLE PLUG	1
.	.	113708 REPLACEMENT INSTR.	1
9	108080	SCREW	19
10	113284	CONSOLE PLATE	1
11	110000	SPEED CONTROL KNOB	1
12	110846	SHOCK RELEASE	1
13	054016	E-CLIP	1
14	008149	SHOCK BRACKET	1
15	105309	SHOCK SPACER	1
16	111436	INCLINE SHOCK W/RI	1
.	.	112582 INCLINE SHOCK	1
.	.	111435 REPLACEMENT INSTR.	1
17	106334	COTTER PIN	1
18	112669	SHOCK PIN	1
19	110447	CONTROLLER W/RI	1
.	.	108580 CONTROLLER	1
.	.	110446 REPLACEMENT INSTR.	1
20	109365	CHOKE	1
21	113239	RIGHT SIDERAIL	1
22	012082	TENSION NUT	1
23	014041	TENSION WASHER	2
24	104514	TENSION SPRING	1
25	113106	HOOD ANCHOR	2
26	013300	ANCHOR SCREW	2
27	019084	GROMMET	1
28	031229	POWER CORD	1
29	109382	CIRCUIT BREAKER	1
30	116068	SIDRAIL BOLT	4
31	104623	SAFETY COVER PIN	10
32	112609	FRONT ROLLER ADJ. BOLT	1
33	014127	ROLLER ADJ. WASHER	3
34	012108	LOCKNUT	4
35	052014	FRONT WHEEL	2
36	104581	LEG BOLT	2
37	113224	INCLINE LEG	1
38	109265	BELT GUIDE	2
39	113227	INCLINE KNOB SLEEVE	2
40	115461	SAFETY COVER W/SCREWS	1
.	.	115019 SAFETY COVER	1
.	.	013088 SAFETY COVER SCREW	10
41	114543	FRONT ROLLER/PULLEY	1
42	124604	WALKING PLATFORM ASSEMBLY	1
.	.	124603 WALKING PLATFORM	1
.	.	107109 NAIL	12
.	.	110585 REPLACEMENT INSTR.	1

MODEL NUMBER: PF93003
 VERSION: 00
 PRODUCT NAME: PROFORM 930
 PRODUCT DESC: TREADMILL

MODEL/PART BOOK LISTING

PAGE 2
 INI023P1

RUN DATE: 4/25/95
 RUN TIME: 16:22:25

KEY NUMBER	PART NUMBER	DESCRIPTION	QUANTITY
43	123428	WALKING BELT ASSEMBLY	1
	.	122992 WALKING BELT	1
	.	107109 NAIL	12
	.	110585 REPLACEMENT INSTR.	1
44	114210	LEFT DECK RAIL	1
45	116153	FOOT INCLINE KNOB	2
46	108427	INCLINE LEVER	2
47	114926	INCLINE KNOB BRACKET	2
48	110928	SHORT INCLINE CABLE	1
49	100994	MOTOR BOLT	2
50	114454	MOTOR ASSEMBLY	1
	.	119991 MOTOR	1
	.	114457 REPLACEMENT INSTR.	1
	.	122179 CN-MOTOR CHANGE	1
50A	114455	MOTOR/PULY/FLWH/FAN ASSY.	1
	.	119991 MOTOR	1
	.	112825 PULY/FLWH/FAN	1
	.	114457 CN-INSTALL INSTR.	1
	.	122179 CN-MOTOR CHANGE	1
51	112825	PULLEY/FLYWHEEL/FAN ASSY.	1
52	105477	MOTOR NUT	2
53	NSP	FRAME	0
54	110407	REAR LEG COVER	1
55	110929	LONG INCLINE CABLE	1
56	102585	CABLE TIE	3
57	115039	RIGHT DECK RAIL	1
58	101627	MOTOR SWIVEL BOLT	2
59	115460	RIGHT ENDCAP W/SPACER	1
	.	113046 RIGHT ENDCAP	1
	.	113050 REAR ROLLER SPACER	1
60	013206	REAR ROLLER ADJ. BOLT	2
61	045010	ALLEN WRENCH	1
62	109788	REAR ROLLER W/RI	1
	.	105264 REAR ROLLER	1
	.	103847 REPLACEMENT INSTR.	1
63	016028	WRENCH CLIP	1
64	115459	LEFT ENDCAP W/SPACER	1
	.	113045 LEFT ENDCAP	1
	.	113050 REAR ROLLER SPACER	1
65	101168	TEE NUT	2
66	100691	PLATFORM SCREW	6
67	108404	MOTOR HOOD SCREW	4
68	115472	MOTOR HOOD W/DECALS	1
	.	108433 MOTOR HOOD	1
	.	115029 MOTOR HOOD DECAL	1
	.	113661 WIRE DIAGRAM	1
69	115572	REED SWITCH/SENSOR WIRE	1
70	111680	REED SWITCH CLIP	1
71	106939	BELT	1
72	016055	WIRE CLIP	4
73	113268	ISOLATOR	2
74	103855	J-BOLT	1
75	031182	GROUND WIRE	1
76	114456	MOTOR SWIVEL W/RI	1

MODEL NUMBER: PF93003
 VERSION: 00
 PRODUCT NAME: PROFORM 930
 PRODUCT DESC: TREADMILL

MODEL/PART BOOK LISTING

RUN DATE: 4/25/95
 RUN TIME: 16:22:25

KEY NUMBER	PART NUMBER	DESCRIPTION	QUANTITY
.	.	113222 MOTOR SWIVEL	1
.	.	114457 REPLACEMENT INSTR.	1
77	113050	REAR ROLLER SPACER	2
78	111430	CONSOLE CAGE NUT	2
.	.	NON-ILLUSTRATED PARTS:	0
#	033021	BATTERY	2
#	110402	BATTERY COVER (SNAP-ON)	1
#	113141	FRAME DECAL	1
#	115029	MOTOR HOOD DECAL	1
#	113661	WIRE DIAGRAM DECAL	1
#	114252	OWNER'S MANUAL	1
.	114251	LITERATURE PACKET	1
.	.	114252 OWNER'S MANUAL	1
.	.	112589 PULSE/CLOTHES CLIP	1
.	.	115967 CN-HANDRAIL MTG.	1
.	.	113841 HARDWARE KIT	1
.	.	016028 WRENCH GLIP	1
.	.	045010 ALLEN WRENCH	1
.	.	104063 SIDERAIL BOLT	2
.	.	014087 SIDERAIL WASHER	4