

HISTORY

PRODUCT NUMBER: PF93003

PRODUCT NAME: PROFORM 930

DESCRIPTION: 1993 Treadmill
0-10 MPH, DC treadmill, built on a low profile frame, with auto incline, isolated motor, full cage siderails, 16 x 45" walking belt

COLORS: PROFORM WHITE: Frame, siderails
BLACK: Motor hood, console, walking belt, endcaps

SHIPPING SPEC:

ASSEMBLED SPEC:

ELECTRONICS: VERSIONS 0 & 1 & 3
ECT70 Console - 115470
Battery - (2) 033021
Battery Cover - 110402

VERSION 2
Options Electronic Assembly - 109356
No Battery or Battery Cover

| <u>MFG LOCATION</u> | <u>APPROX DATE BEGAN</u> | <u>APPROX DATE END</u> | <u>VERSION</u> |
|---------------------|----------------------------------|--------------------------------|----------------|
| Logan | 9/30/93 | 11/93 | PF930030 |
| Logan | 12/93 | | PF930031 |
| Logan | 12/93 | 1/94 | *PF930032 |
| Logan | 1/94 | | PF930033 |

*NOTE: WARRANTY TURNED ABOUT 600 UNITS OF THE 29705 INTO THE PF93003 VERSION 2. IT HAS AUTO INCLINE AND ADJUSTABLE REAR CUSHION.

MODEL NUMBER: PF93003
VERSION: 00
PRODUCT NAME: PROFORM 930
PRODUCT DESC: TREADMILL

MODEL/PART BOOK LISTING

PAGE 1
INI023P1
RUN DATE: 4/25/95
RUN TIME: 16:22:25

| KEY NUMBER | PART NUMBER | DESCRIPTION | QUANTITY |
|------------|-------------|---------------------------|----------|
| 1 | 113237 | LEFT SIDERAIL | 1 |
| 2 | 111869 | SIDERAIL CAGE NUT | 6 |
| 3 | 014087 | SIDERAIL WASHER | 10 |
| 4 | 013564 | CONSOLE/WHEEL BOLT | 4 |
| 5 | 106337 | SAFETY KEY/CLIP | 1 |
| 6 | 112589 | PULSE/CLOTHES CLIP | 1 |
| 7 | 114270 | SHOCK SPACER | 2 |
| 8 | 115470 | CONSOLE ASSEMBLY | 1 |
| . | . | 113810 CONSOLE | 1 |
| . | . | 040185 CONSOLE PLUG | 1 |
| . | . | 113708 REPLACEMENT INSTR. | 1 |
| 9 | 108080 | SCREW | 19 |
| 10 | 113284 | CONSOLE PLATE | 1 |
| 11 | 110000 | SPEED CONTROL KNOB | 1 |
| 12 | 110846 | SHOCK RELEASE | 1 |
| 13 | 054016 | E-CLIP | 1 |
| 14 | 008149 | SHOCK BRACKET | 1 |
| 15 | 105309 | SHOCK SPACER | 1 |
| 16 | 111436 | INCLINE SHOCK W/RI | 1 |
| . | . | 112582 INCLINE SHOCK | 1 |
| . | . | 111435 REPLACEMENT INSTR. | 1 |
| 17 | 106334 | COTTER PIN | 1 |
| 18 | 112669 | SHOCK PIN | 1 |
| 19 | 110447 | CONTROLLER W/RI | 1 |
| . | . | 108580 CONTROLLER | 1 |
| . | . | 110446 REPLACEMENT INSTR. | 1 |
| 20 | 109365 | CHOKE | 1 |
| 21 | 113239 | RIGHT SIDERAIL | 1 |
| 22 | 012082 | TENSION NUT | 1 |
| 23 | 014041 | TENSION WASHER | 2 |
| 24 | 104514 | TENSION SPRING | 1 |
| 25 | 113106 | HOOD ANCHOR | 2 |
| 26 | 013300 | ANCHOR SCREW | 2 |
| 27 | 019084 | GROMMET | 1 |
| 28 | 031229 | POWER CORD | 1 |
| 29 | 109382 | CIRCUIT BREAKER | 1 |
| 30 | 116068 | SIDRAIL BOLT | 4 |
| 31 | 104623 | SAFETY COVER PIN | 10 |
| 32 | 112609 | FRONT ROLLER ADJ. BOLT | 1 |
| 33 | 014127 | ROLLER ADJ. WASHER | 3 |
| 34 | 012108 | LOCKNUT | 4 |
| 35 | 052014 | FRONT WHEEL | 2 |
| 36 | 104581 | LEG BOLT | 2 |
| 37 | 113224 | INCLINE LEG | 1 |
| 38 | 109265 | BELT GUIDE | 2 |
| 39 | 113227 | INCLINE KNOB SLEEVE | 2 |
| 40 | 115461 | SAFETY COVER W/SCREWS | 1 |
| . | . | 115019 SAFETY COVER | 1 |
| . | . | 013088 SAFETY COVER SCREW | 10 |
| 41 | 114543 | FRONT ROLLER/PULLEY | 1 |
| 42 | 124604 | WALKING PLATFORM ASSEMBLY | 1 |
| . | . | 124603 WALKING PLATFORM | 1 |
| . | . | 107109 NAIL | 12 |
| . | . | 110585 REPLACEMENT INSTR. | 1 |

MODEL NUMBER: PF93003
 VERSION: 00
 PRODUCT NAME: PROFORM 930
 PRODUCT DESC: TREADMILL

MODEL/PART BOOK LISTING

PAGE 2
 INI023P1

RUN DATE: 4/25/95
 RUN TIME: 16:22:25

| KEY NUMBER | PART NUMBER | DESCRIPTION | QUANTITY |
|------------|-------------|---------------------------|----------|
| 43 | 123428 | WALKING BELT ASSEMBLY | 1 |
| | . | 122992 WALKING BELT | 1 |
| | . | 107109 NAIL | 12 |
| | . | 110585 REPLACEMENT INSTR. | 1 |
| 44 | 114210 | LEFT DECK RAIL | 1 |
| 45 | 116153 | FOOT INCLINE KNOB | 2 |
| 46 | 108427 | INCLINE LEVER | 2 |
| 47 | 114926 | INCLINE KNOB BRACKET | 2 |
| 48 | 110928 | SHORT INCLINE CABLE | 1 |
| 49 | 100994 | MOTOR BOLT | 2 |
| 50 | 114454 | MOTOR ASSEMBLY | 1 |
| | . | 119991 MOTOR | 1 |
| | . | 114457 REPLACEMENT INSTR. | 1 |
| | . | 122179 CN-MOTOR CHANGE | 1 |
| 50A | 114455 | MOTOR/PULY/FLWH/FAN ASSY. | 1 |
| | . | 119991 MOTOR | 1 |
| | . | 112825 PULY/FLWH/FAN | 1 |
| | . | 114457 CN-INSTALL INSTR. | 1 |
| | . | 122179 CN-MOTOR CHANGE | 1 |
| 51 | 112825 | PULLEY/FLYWHEEL/FAN ASSY. | 1 |
| 52 | 105477 | MOTOR NUT | 2 |
| 53 | NSP | FRAME | 0 |
| 54 | 110407 | REAR LEG COVER | 1 |
| 55 | 110929 | LONG INCLINE CABLE | 1 |
| 56 | 102585 | CABLE TIE | 3 |
| 57 | 115039 | RIGHT DECK RAIL | 1 |
| 58 | 101627 | MOTOR SWIVEL BOLT | 2 |
| 59 | 115460 | RIGHT ENDCAP W/SPACER | 1 |
| | . | 113046 RIGHT ENDCAP | 1 |
| | . | 113050 REAR ROLLER SPACER | 1 |
| 60 | 013206 | REAR ROLLER ADJ. BOLT | 2 |
| 61 | 045010 | ALLEN WRENCH | 1 |
| 62 | 109788 | REAR ROLLER W/RI | 1 |
| | . | 105264 REAR ROLLER | 1 |
| | . | 103847 REPLACEMENT INSTR. | 1 |
| 63 | 016028 | WRENCH CLIP | 1 |
| 64 | 115459 | LEFT ENDCAP W/SPACER | 1 |
| | . | 113045 LEFT ENDCAP | 1 |
| | . | 113050 REAR ROLLER SPACER | 1 |
| 65 | 101168 | TEE NUT | 2 |
| 66 | 100691 | PLATFORM SCREW | 6 |
| 67 | 108404 | MOTOR HOOD SCREW | 4 |
| 68 | 115472 | MOTOR HOOD W/DECALS | 1 |
| | . | 108433 MOTOR HOOD | 1 |
| | . | 115029 MOTOR HOOD DECAL | 1 |
| | . | 113661 WIRE DIAGRAM | 1 |
| 69 | 115572 | REED SWITCH/SENSOR WIRE | 1 |
| 70 | 111680 | REED SWITCH CLIP | 1 |
| 71 | 106939 | BELT | 1 |
| 72 | 016055 | WIRE CLIP | 4 |
| 73 | 113268 | ISOLATOR | 2 |
| 74 | 103855 | J-BOLT | 1 |
| 75 | 031182 | GROUND WIRE | 1 |
| 76 | 114456 | MOTOR SWIVEL W/RI | 1 |

MODEL NUMBER: PF93003
 VERSION: 00
 PRODUCT NAME: PROFORM 930
 PRODUCT DESC: TREADMILL

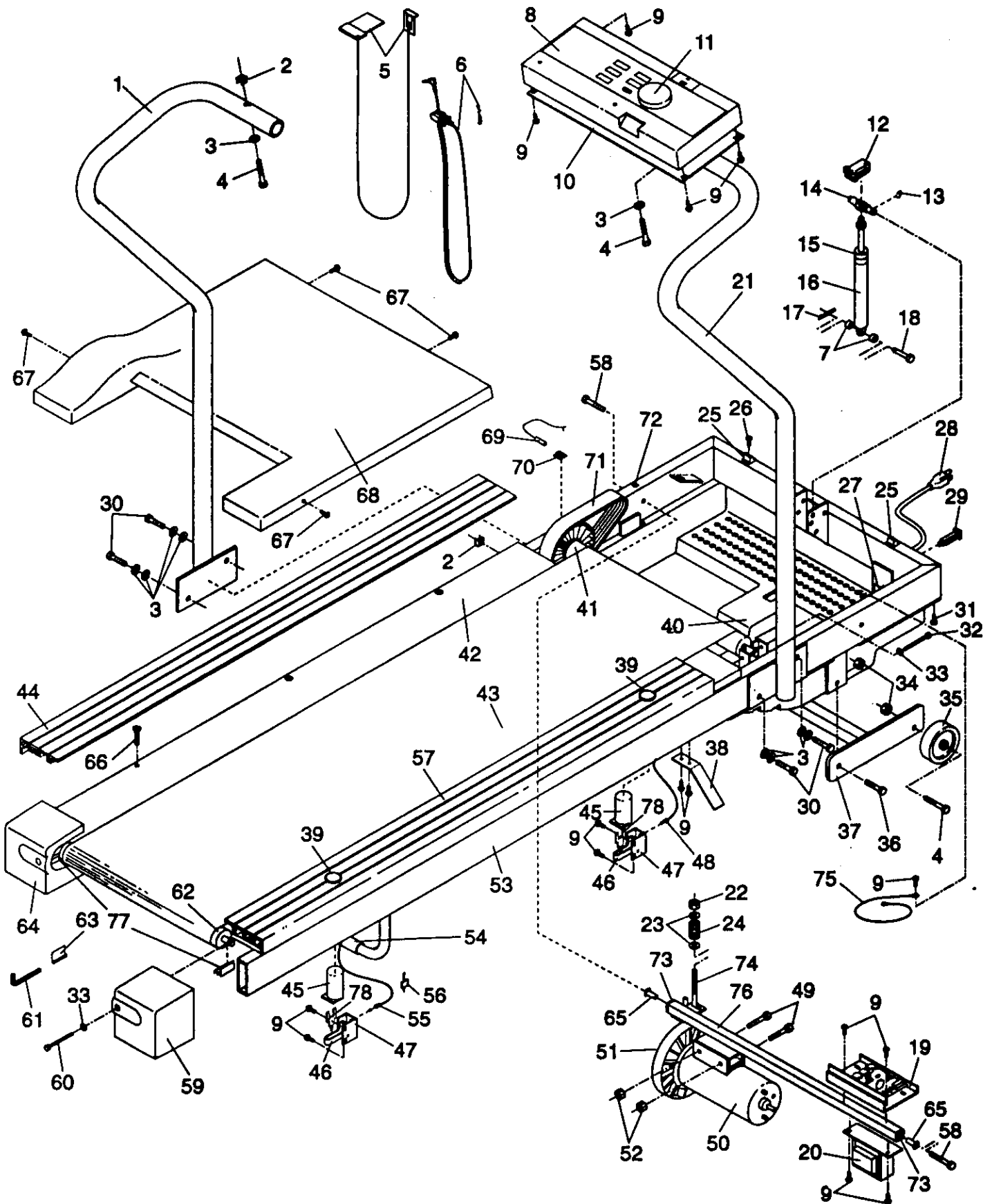
MODEL/PART BOOK LISTING

RUN DATE: 4/25/95
 RUN TIME: 16:22:25

| KEY NUMBER | PART NUMBER | DESCRIPTION | QUANTITY |
|------------|-------------|---------------------------|----------|
| . | . | 113222 MOTOR SWIVEL | 1 |
| . | . | 114457 REPLACEMENT INSTR. | 1 |
| 77 | 113050 | REAR ROLLER SPACER | 2 |
| 78 | 111430 | CONSOLE CAGE NUT | 2 |
| . | . | NON-ILLUSTRATED PARTS: | 0 |
| # | 033021 | BATTERY | 2 |
| # | 110402 | BATTERY COVER (SNAP-ON) | 1 |
| # | 113141 | FRAME DECAL | 1 |
| # | 115029 | MOTOR HOOD DECAL | 1 |
| # | 113661 | WIRE DIAGRAM DECAL | 1 |
| # | 114252 | OWNER'S MANUAL | 1 |
| . | 114251 | LITERATURE PACKET | 1 |
| . | . | 114252 OWNER'S MANUAL | 1 |
| . | . | 112589 PULSE/CLOTHES CLIP | 1 |
| . | . | 115967 CN-HANDRAIL MTG. | 1 |
| . | . | 113841 HARDWARE KIT | 1 |
| . | . | 016028 WRENCH GLIP | 1 |
| . | . | 045010 ALLEN WRENCH | 1 |
| . | . | 104063 SIDERAIL BOLT | 2 |
| . | . | 014087 SIDERAIL WASHER | 4 |

EXPLODED DRAWING—Model No. PF930031

Rev. 1/94



MODEL NUMBER: PF93003
VERSION: 01
PRODUCT NAME: PROFORM 930
PRODUCT DESC: TREADMILL

MODEL/PART BOOK LISTING

PAGE 1
INI023P1
RUN DATE: 4/25/95
RUN TIME: 16:22:31

| KEY NUMBER | PART NUMBER | DESCRIPTION | QUANTITY |
|------------|-------------|---------------------------|----------|
| 1 | 113237 | LEFT SIDERAIL | 1 |
| 2 | 111869 | SIDERAIL CAGE NUT | 6 |
| 3 | 014087 | SIDERAIL WASHER | 10 |
| 4 | 013564 | CONSOLE/WHEEL BOLT | 4 |
| 5 | 106337 | SAFETY KEY/CLIP | 1 |
| 6 | 112589 | PULSE/CLOTHES CLIP | 1 |
| 7 | 114270 | SHOCK SPACER | 2 |
| 8 | 115470 | CONSOLE ASSEMBLY | 1 |
| . | 113810 | CONSOLE | 1 |
| . | 040185 | CONSOLE PLUG | 1 |
| . | 113708 | REPLACEMENT INSTR. | 1 |
| 9 | 108080 | SCREW | 19 |
| 10 | 113284 | CONSOLE PLATE | 1 |
| 11 | 110000 | SPEED CONTROL KNOB | 1 |
| 12 | 110846 | SHOCK RELEASE | 1 |
| 13 | 054016 | E-CLIP | 1 |
| 14 | 115672 | SHOCK BRACKET | 1 |
| 15 | 105309 | SHOCK SPACER | 1 |
| 16 | 111436 | INCLINE SHOCK W/RI | 1 |
| . | 112582 | INCLINE SHOCK | 1 |
| . | 111435 | REPLACEMENT INSTR. | 1 |
| 17 | 106334 | COTTER PIN | 1 |
| 18 | 112669 | SHOCK PIN | 1 |
| 19 | 110447 | CONTROLLER W/RI | 1 |
| . | 108580 | CONTROLLER | 1 |
| . | 110446 | REPLACEMENT INSTR. | 1 |
| 20 | 109365 | CHOKE | 1 |
| 21 | 113239 | RIGHT SIDERAIL | 1 |
| 22 | 012082 | TENSION NUT | 1 |
| 23 | 014041 | TENSION WASHER | 2 |
| 24 | 104514 | TENSION SPRING | 1 |
| 25 | 113106 | HOOD ANCHOR | 2 |
| 26 | 013300 | ANCHOR SCREW | 2 |
| 27 | 019084 | GROMMET | 1 |
| 28 | 031229 | POWER CORD | 1 |
| 29 | 109382 | CIRCUIT BREAKER | 1 |
| 30 | 116068 | SIDRAIL BOLT | 4 |
| 31 | 013088 | SAFETY COVER FASTENER | 10 |
| 32 | 112609 | FRONT ROLLER ADJ. BOLT | 1 |
| 33 | 014127 | REAR ROLLER ADJ. WASHER | 2 |
| . | | NOTE: THE FRONT ROLLER | 0 |
| . | | ADJ. WASHER IS LISTED AS | 0 |
| . | | A NON-ILLUSTRATED PART. | 0 |
| 34 | 012108 | LOCKNUT | 4 |
| 35 | 052014 | FRONT WHEEL | 2 |
| 36 | 104581 | LEG BOLT | 2 |
| 37 | 113224 | INCLINE LEG | 1 |
| 38 | 109265 | BELT GUIDE | 2 |
| 39 | 113227 | INCLINE KNOB SLEEVE | 2 |
| 40 | 115461 | SAFETY COVER W/SCREWS | 1 |
| . | 115019 | SAFETY COVER | 1 |
| . | 013088 | SAFETY COVER SCREW | 10 |
| 41 | 114543 | FRONT ROLLER/PULLEY | 1 |
| 42 | 124604 | WALKING PLATFORM ASSEMBLY | 1 |

MODEL NUMBER: PF93003
 VERSION: 01
 PRODUCT NAME: PROFORM 930
 PRODUCT DESC: TREADMILL

MODEL/PART BOOK LISTING

PAGE 2
 INI023P1
 RUN DATE: 4/25/95
 RUN TIME: 16:22:31

| KEY NUMBER | PART NUMBER | DESCRIPTION | QUANTITY |
|------------|-------------|---------------------------|----------|
| . | . | 124603 WALKING PLATFORM | 1 |
| . | . | 107109 NAIL | 12 |
| . | . | 110585 REPLACEMENT INSTR. | 1 |
| 43 | 123428 | WALKING BELT ASSEMBLY | 1 |
| . | . | 122992 WALKING BELT | 1 |
| . | . | 107109 NAIL | 12 |
| . | . | 110585 REPLACEMENT INSTR. | 1 |
| 44 | 114210 | LEFT DECK RAIL | 1 |
| 45 | 116153 | FOOT INCLINE KNOB | 2 |
| 46 | 116155 | INCLINE LEVER | 2 |
| 47 | 114926 | INCLINE KNOB BRACKET | 2 |
| 48 | 110928 | SHORT INCLINE CABLE | 1 |
| 49 | 100994 | MOTOR BOLT | 2 |
| 50 | 114454 | MOTOR ASSEMBLY | 1 |
| . | . | 119991 MOTOR | 1 |
| . | . | 114457 REPLACEMENT INSTR. | 1 |
| . | . | 122179 CN-MOTOR CHANGE | 1 |
| 50A | 114455 | MOTOR/PULY/FLWH/FAN ASSY. | 1 |
| . | . | 119991 MOTOR | 1 |
| . | . | 112825 PULY/FLWH/FAN | 1 |
| . | . | 114457 REPLACEMENT INSTR. | 1 |
| . | . | 122179 CN-MOTOR CHANGE | 1 |
| 51 | 112825 | PULLEY/FLYWHEEL/FAN ASSY. | 1 |
| 52 | 105477 | MOTOR NUT | 2 |
| 53 | NSP | FRAME | 0 |
| 54 | 110407 | REAR LEG COVER | 1 |
| 55 | 110929 | LONG INCLINE CABLE | 1 |
| 56 | 102585 | CABLE TIE | 3 |
| 57 | 115039 | RIGHT DECK RAIL | 1 |
| 58 | 101627 | MOTOR SWIVEL BOLT | 2 |
| 59 | 115460 | RIGHT ENDCAP W/SPACER | 1 |
| . | . | 113046 RIGHT ENDCAP | 1 |
| . | . | 113050 REAR ROLLER SPACER | 1 |
| 60 | 013206 | REAR ROLLER ADJ. BOLT | 2 |
| 61 | 045010 | ALLEN WRENCH | 1 |
| 62 | 109788 | REAR ROLLER W/RI | 1 |
| . | . | 105264 REAR ROLLER | 1 |
| . | . | 103847 REPLACEMENT INSTR. | 1 |
| 63 | 016028 | WRENCH CLIP | 1 |
| 64 | 115459 | LEFT ENDCAP W/SPACER | 1 |
| . | . | 113045 LEFT ENDCAP | 1 |
| . | . | 113050 REAR ROLLER SPACER | 1 |
| 65 | 101168 | TEE NUT | 2 |
| 66 | 100691 | PLATFORM SCREW | 6 |
| 67 | 013540 | MOTOR HOOD SCREW | 4 |
| 68 | 115472 | MOTOR HOOD W/DECALS | 1 |
| . | . | 108433 MOTOR HOOD | 1 |
| . | . | 115029 MOTOR HOOD DECAL | 1 |
| . | . | 113661 WIRE DIAGRAM | 1 |
| 69 | 115572 | REED SWITCH/SENSOR WIRE | 1 |
| 70 | 111680 | REED SWITCH CLIP | 1 |
| 71 | 106939 | BELT | 1 |
| 72 | 016055 | WIRE CLIP | 4 |
| 73 | 113268 | ISOLATOR | 2 |

MODEL NUMBER: PF93003
VERSION: 01
PRODUCT NAME: PROFORM 930
PRODUCT DESC: TREADMILL

MODEL/PART BOOK LISTING

PAGE 3
INI023P1
RUN DATE: 4/25/95
RUN TIME: 16:22:31

| KEY NUMBER | PART NUMBER | DESCRIPTION | QUANTITY |
|------------|-------------|---------------------------|----------|
| 74 | 103855 | J-BOLT | 1 |
| 75 | 031182 | GROUND WIRE | 1 |
| 76 | 114456 | MOTOR SWIVEL W/RI | 1 |
| . | . | 113222 MOTOR SWIVEL | 1 |
| . | . | 114457 REPLACEMENT INSTR. | 1 |
| 77 | 113050 | REAR ROLLER SPACER | 2 |
| 78 | 116154 | PEDAL EXTENSION BRACKET | 2 |
| . | . | NON-ILLUSTRATED PARTS: | 0 |
| # | 033021 | BATTERY | 2 |
| # | 110402 | BATTERY COVER (SNAP-ON) | 1 |
| # | 112597 | MOTOR HOOD PADDING | 2 |
| # | 116890 | FRONT ROLLER ADJ. WASHER | 1 |
| # | 113141 | FRAME DECAL | 1 |
| # | 115029 | MOTOR HOOD DECAL | 1 |
| # | 113661 | WIRE DIAGRAM DECAL | 1 |
| # | 116400 | OWNER'S MANUAL | 1 |
| . | 116399 | LITERATURE PACKET | 1 |
| . | . | 116400 OWNER'S MANUAL | 1 |
| . | . | 112589 PULSE/CLOTHES CLIP | 1 |
| . | . | 115967 CN-HANDRAIL MTG | 1 |
| . | . | 113841 HARDWARE KIT | 1 |
| . | . | 016028 WRENCH CLIP | 1 |
| . | . | 045010 ALLEN WRENCH | 1 |
| . | . | 104063 SIDERAIL BOLT | 2 |
| . | . | 014087 SIDERAIL WASHER | 4 |