

## HISTORY

PRODUCT NUMBER: PF93003

PRODUCT NAME: PROFORM 930

DESCRIPTION: 1993 Treadmill  
0-10 MPH, DC treadmill, built on a low profile frame, with auto incline, isolated motor, full cage siderails, 16 x 45" walking belt

COLORS: PROFORM WHITE: Frame, siderails  
BLACK: Motor hood, console, walking belt, endcaps

SHIPPING SPEC:

ASSEMBLED SPEC:

ELECTRONICS: VERSIONS 0 & 1 & 3  
ECT70 Console - 115470  
Battery - (2) 033021  
Battery Cover - 110402

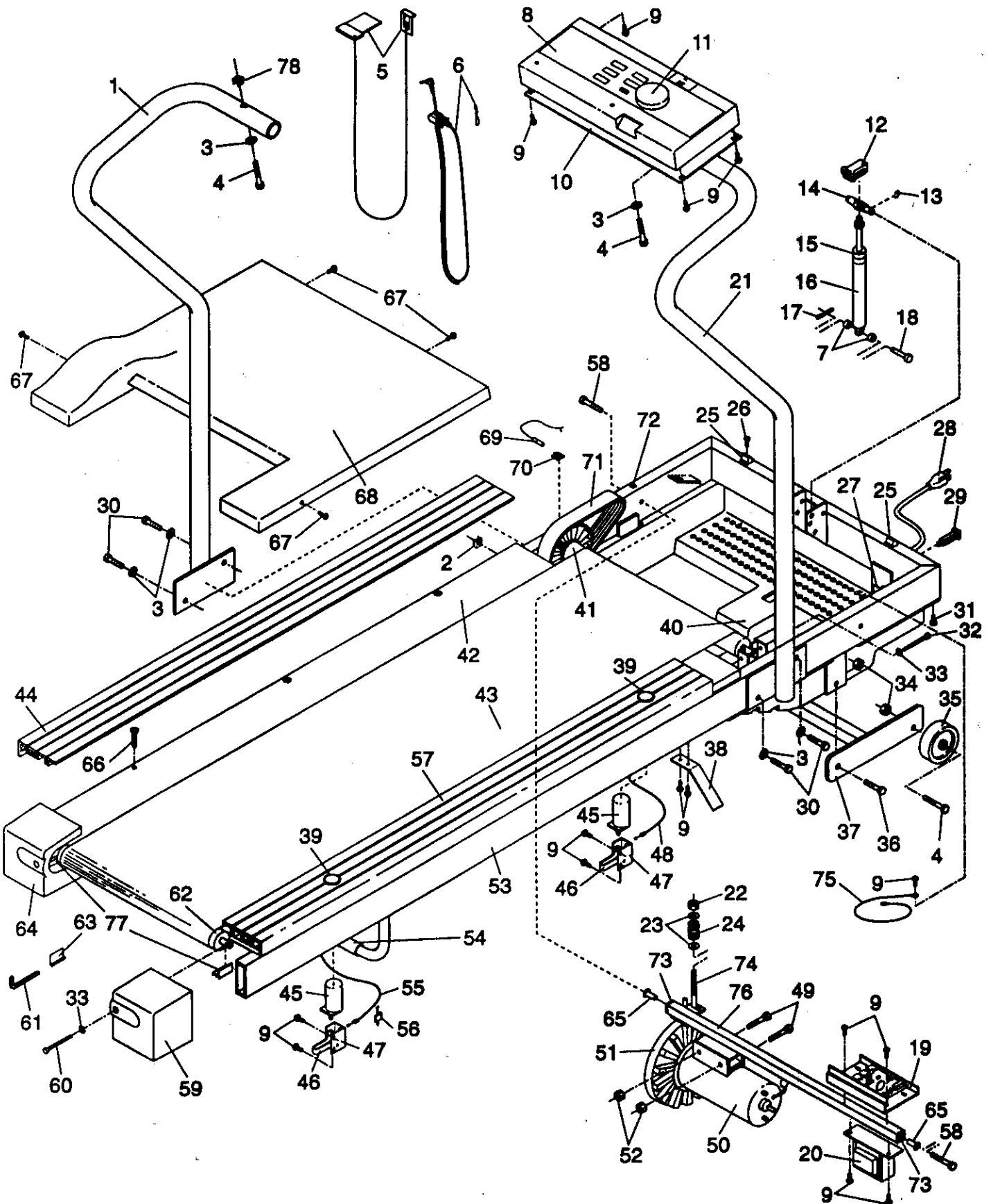
VERSION 2  
Options Electronic Assembly - 109356  
No Battery or Battery Cover

<u>MFG LOCATION</u>	<u>APPROX DATE BEGAN</u>	<u>APPROX DATE END</u>	<u>VERSION</u>
Logan	9/30/93	11/93	PF930030
Logan	12/93		PF930031
Logan	12/93	1/94	*PF930032
Logan	1/94		PF930033

\*NOTE: WARRANTY TURNED ABOUT 600 UNITS OF THE 29705 INTO THE PF93003 VERSION 2. IT HAS AUTO INCLINE AND ADJUSTABLE REAR CUSHION.

# EXPLODED DRAWING—Model No. PF930030

Rev. 9/93



MODEL NUMBER: PF93003  
VERSION: 00  
PRODUCT NAME: PROFORM 930  
PRODUCT DESC: TREADMILL

MODEL/PART BOOK LISTING

PAGE 1  
INI023P1  
RUN DATE: 4/25/95  
RUN TIME: 16:22:25

KEY NUMBER	PART NUMBER	DESCRIPTION	QUANTITY
1	113237	LEFT SIDERAIL	1
2	111869	SIDERAIL CAGE NUT	6
3	014087	SIDERAIL WASHER	10
4	013564	CONSOLE/WHEEL BOLT	4
5	106337	SAFETY KEY/CLIP	1
6	112589	PULSE/CLOTHES CLIP	1
7	114270	SHOCK SPACER	2
8	115470	CONSOLE ASSEMBLY	1
.	.	113810 CONSOLE	1
.	.	040185 CONSOLE PLUG	1
.	.	113708 REPLACEMENT INSTR.	1
9	108080	SCREW	19
10	113284	CONSOLE PLATE	1
11	110000	SPEED CONTROL KNOB	1
12	110846	SHOCK RELEASE	1
13	054016	E-CLIP	1
14	008149	SHOCK BRACKET	1
15	105309	SHOCK SPACER	1
16	111436	INCLINE SHOCK W/RI	1
.	.	112582 INCLINE SHOCK	1
.	.	111435 REPLACEMENT INSTR.	1
17	106334	COTTER PIN	1
18	112669	SHOCK PIN	1
19	110447	CONTROLLER W/RI	1
.	.	108580 CONTROLLER	1
.	.	110446 REPLACEMENT INSTR.	1
20	109365	CHOKE	1
21	113239	RIGHT SIDERAIL	1
22	012082	TENSION NUT	1
23	014041	TENSION WASHER	2
24	104514	TENSION SPRING	1
25	113106	HOOD ANCHOR	2
26	013300	ANCHOR SCREW	2
27	019084	GROMMET	1
28	031229	POWER CORD	1
29	109382	CIRCUIT BREAKER	1
30	116068	SIDRAIL BOLT	4
31	104623	SAFETY COVER PIN	10
32	112609	FRONT ROLLER ADJ. BOLT	1
33	014127	ROLLER ADJ. WASHER	3
34	012108	LOCKNUT	4
35	052014	FRONT WHEEL	2
36	104581	LEG BOLT	2
37	113224	INCLINE LEG	1
38	109265	BELT GUIDE	2
39	113227	INCLINE KNOB SLEEVE	2
40	115461	SAFETY COVER W/SCREWS	1
.	.	115019 SAFETY COVER	1
.	.	013088 SAFETY COVER SCREW	10
41	114543	FRONT ROLLER/PULLEY	1
42	124604	WALKING PLATFORM ASSEMBLY	1
.	.	124603 WALKING PLATFORM	1
.	.	107109 NAIL	12
.	.	110585 REPLACEMENT INSTR.	1

MODEL NUMBER: PF93003  
 VERSION: 00  
 PRODUCT NAME: PROFORM 930  
 PRODUCT DESC: TREADMILL

MODEL/PART BOOK LISTING

PAGE 2  
 INI023P1

RUN DATE: 4/25/95  
 RUN TIME: 16:22:25

KEY NUMBER	PART NUMBER	DESCRIPTION	QUANTITY
43	123428	WALKING BELT ASSEMBLY	1
	.	122992 WALKING BELT	1
	.	107109 NAIL	12
	.	110585 REPLACEMENT INSTR.	1
44	114210	LEFT DECK RAIL	1
45	116153	FOOT INCLINE KNOB	2
46	108427	INCLINE LEVER	2
47	114926	INCLINE KNOB BRACKET	2
48	110928	SHORT INCLINE CABLE	1
49	100994	MOTOR BOLT	2
50	114454	MOTOR ASSEMBLY	1
	.	119991 MOTOR	1
	.	114457 REPLACEMENT INSTR.	1
	.	122179 CN-MOTOR CHANGE	1
50A	114455	MOTOR/PULY/FLWH/FAN ASSY.	1
	.	119991 MOTOR	1
	.	112825 PULY/FLWH/FAN	1
	.	114457 CN-INSTALL INSTR.	1
	.	122179 CN-MOTOR CHANGE	1
51	112825	PULLEY/FLYWHEEL/FAN ASSY.	1
52	105477	MOTOR NUT	2
53	NSP	FRAME	0
54	110407	REAR LEG COVER	1
55	110929	LONG INCLINE CABLE	1
56	102585	CABLE TIE	3
57	115039	RIGHT DECK RAIL	1
58	101627	MOTOR SWIVEL BOLT	2
59	115460	RIGHT ENDCAP W/SPACER	1
	.	113046 RIGHT ENDCAP	1
	.	113050 REAR ROLLER SPACER	1
60	013206	REAR ROLLER ADJ. BOLT	2
61	045010	ALLEN WRENCH	1
62	109788	REAR ROLLER W/RI	1
	.	105264 REAR ROLLER	1
	.	103847 REPLACEMENT INSTR.	1
63	016028	WRENCH CLIP	1
64	115459	LEFT ENDCAP W/SPACER	1
	.	113045 LEFT ENDCAP	1
	.	113050 REAR ROLLER SPACER	1
65	101168	TEE NUT	2
66	100691	PLATFORM SCREW	6
67	108404	MOTOR HOOD SCREW	4
68	115472	MOTOR HOOD W/DECALS	1
	.	108433 MOTOR HOOD	1
	.	115029 MOTOR HOOD DECAL	1
	.	113661 WIRE DIAGRAM	1
69	115572	REED SWITCH/SENSOR WIRE	1
70	111680	REED SWITCH CLIP	1
71	106939	BELT	1
72	016055	WIRE CLIP	4
73	113268	ISOLATOR	2
74	103855	J-BOLT	1
75	031182	GROUND WIRE	1
76	114456	MOTOR SWIVEL W/RI	1

MODEL NUMBER: PF93003  
 VERSION: 00  
 PRODUCT NAME: PROFORM 930  
 PRODUCT DESC: TREADMILL

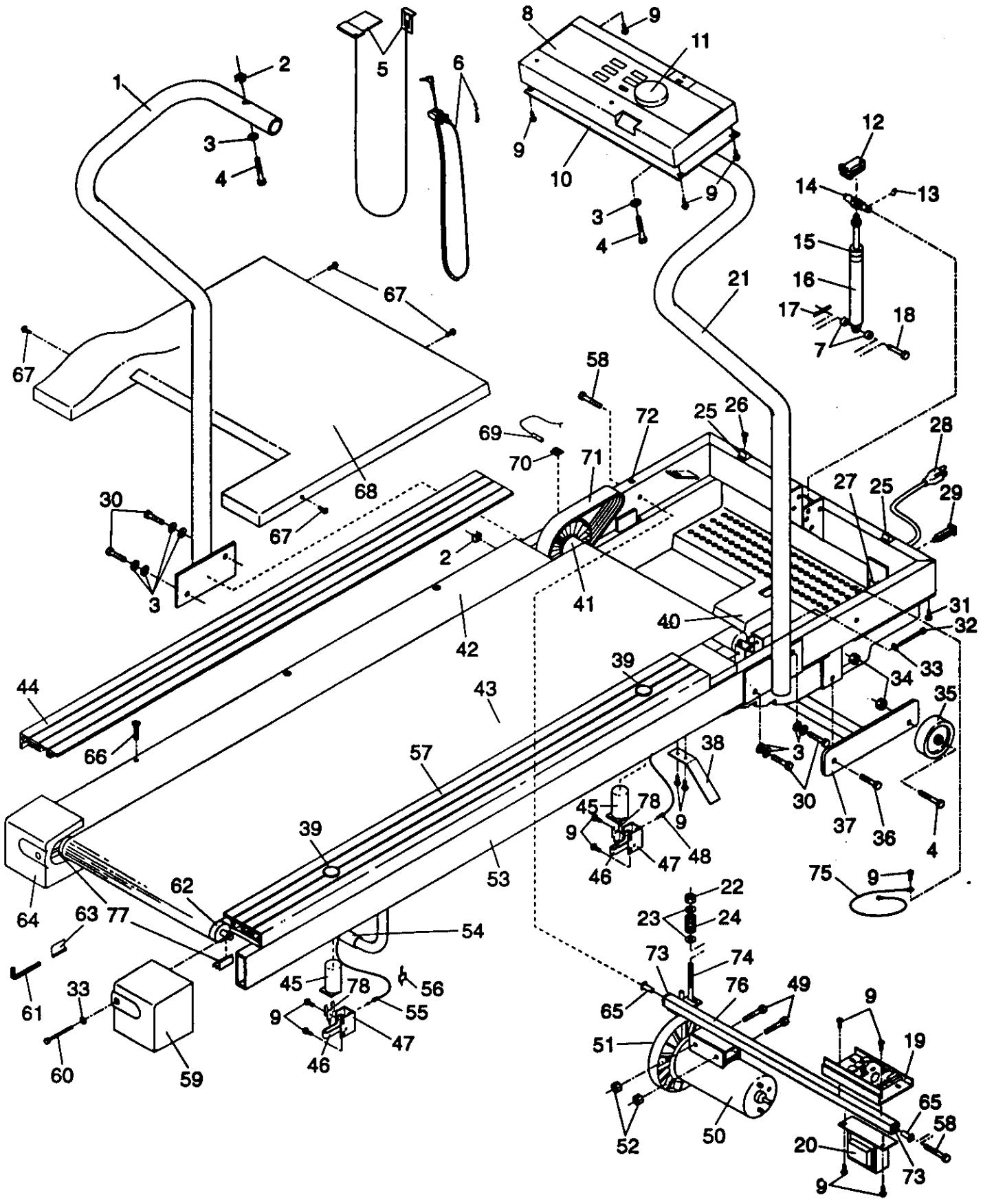
MODEL/PART BOOK LISTING

RUN DATE: 4/25/95  
 RUN TIME: 16:22:25

KEY NUMBER	PART NUMBER	DESCRIPTION	QUANTITY
.	.	113222 MOTOR SWIVEL	1
.	.	114457 REPLACEMENT INSTR.	1
77	113050	REAR ROLLER SPACER	2
78	111430	CONSOLE CAGE NUT	2
.	.	NON-ILLUSTRATED PARTS:	0
#	033021	BATTERY	2
#	110402	BATTERY COVER (SNAP-ON)	1
#	113141	FRAME DECAL	1
#	115029	MOTOR HOOD DECAL	1
#	113661	WIRE DIAGRAM DECAL	1
#	114252	OWNER'S MANUAL	1
.	114251	LITERATURE PACKET	1
.	.	114252 OWNER'S MANUAL	1
.	.	112589 PULSE/CLOTHES CLIP	1
.	.	115967 CN-HANDRAIL MTG.	1
.	.	113841 HARDWARE KIT	1
.	.	016028 WRENCH GLIP	1
.	.	045010 ALLEN WRENCH	1
.	.	104063 SIDERAIL BOLT	2
.	.	014087 SIDERAIL WASHER	4

# EXPLODED DRAWING—Model No. PF930031

Rev. 1/94



MODEL NUMBER: PF93003  
 VERSION: 01  
 PRODUCT NAME: PROFORM 930  
 PRODUCT DESC: TREADMILL

MODEL/PART BOOK LISTING

PAGE 1  
 INI023P1

RUN DATE: 4/25/95  
 RUN TIME: 16:22:31

KEY NUMBER	PART NUMBER	DESCRIPTION	QUANTITY
1	113237	LEFT SIDERAIL	1
2	111869	SIDERAIL CAGE NUT	6
3	014087	SIDERAIL WASHER	10
4	013564	CONSOLE/WHEEL BOLT	4
5	106337	SAFETY KEY/CLIP	1
6	112589	PULSE/CLOTHES CLIP	1
7	114270	SHOCK SPACER	2
8	115470	CONSOLE ASSEMBLY	1
.	.	113810 CONSOLE	1
.	.	040185 CONSOLE PLUG	1
.	.	113708 REPLACEMENT INSTR.	1
9	108080	SCREW	19
10	113284	CONSOLE PLATE	1
11	110000	SPEED CONTROL KNOB	1
12	110846	SHOCK RELEASE	1
13	054016	E-CLIP	1
14	115672	SHOCK BRACKET	1
15	105309	SHOCK SPACER	1
16	111436	INCLINE SHOCK W/RI	1
.	.	112582 INCLINE SHOCK	1
.	.	111435 REPLACEMENT INSTR.	1
17	106334	COTTER PIN	1
18	112669	SHOCK PIN	1
19	110447	CONTROLLER W/RI	1
.	.	108580 CONTROLLER	1
.	.	110446 REPLACEMENT INSTR.	1
20	109365	CHOKE	1
21	113239	RIGHT SIDERAIL	1
22	012082	TENSION NUT	1
23	014041	TENSION WASHER	2
24	104514	TENSION SPRING	1
25	113106	HOOD ANCHOR	2
26	013300	ANCHOR SCREW	2
27	019084	GROMMET	1
28	031229	POWER CORD	1
29	109382	CIRCUIT BREAKER	1
30	116068	SIDRAIL BOLT	4
31	013088	SAFETY COVER FASTENER	10
32	112609	FRONT ROLLER ADJ. BOLT	1
33	014127	REAR ROLLER ADJ. WASHER	2
.	.	NOTE: THE FRONT ROLLER	0
.	.	ADJ. WASHER IS LISTED AS	0
.	.	A NON-ILLUSTRATED PART.	0
34	012108	LOCKNUT	4
35	052014	FRONT WHEEL	2
36	104581	LEG BOLT	2
37	113224	INCLINE LEG	1
38	109265	BELT GUIDE	2
39	113227	INCLINE KNOB SLEEVE	2
40	115461	SAFETY COVER W/SCREWS	1
.	.	115019 SAFETY COVER	1
.	.	013088 SAFETY COVER SCREW	10
41	114543	FRONT ROLLER/PULLEY	1
42	124604	WALKING PLATFORM ASSEMBLY	1

MODEL NUMBER: PF93003  
 VERSION: 01  
 PRODUCT NAME: PROFORM 930  
 PRODUCT DESC: TREADMILL

MODEL/PART BOOK LISTING

PAGE 2  
 INI023P1  
 RUN DATE: 4/25/95  
 RUN TIME: 16:22:31

KEY NUMBER	PART NUMBER	DESCRIPTION	QUANTITY
	.	124603 WALKING PLATFORM	1
	.	107109 NAIL	12
	.	110585 REPLACEMENT INSTR.	1
43	123428	WALKING BELT ASSEMBLY	1
	.	122992 WALKING BELT	1
	.	107109 NAIL	12
	.	110585 REPLACEMENT INSTR.	1
44	114210	LEFT DECK RAIL	1
45	116153	FOOT INCLINE KNOB	2
46	116155	INCLINE LEVER	2
47	114926	INCLINE KNOB BRACKET	2
48	110928	SHORT INCLINE CABLE	1
49	100994	MOTOR BOLT	2
50	114454	MOTOR ASSEMBLY	1
	.	119991 MOTOR	1
	.	114457 REPLACEMENT INSTR.	1
	.	122179 CN-MOTOR CHANGE	1
50A	114455	MOTOR/PULY/FLWH/FAN ASSY.	1
	.	119991 MOTOR	1
	.	112825 PULY/FLWH/FAN	1
	.	114457 REPLACEMENT INSTR.	1
	.	122179 CN-MOTOR CHANGE	1
51	112825	PULLEY/FLYWHEEL/FAN ASSY.	1
52	105477	MOTOR NUT	2
53	NSP	FRAME	0
54	110407	REAR LEG COVER	1
55	110929	LONG INCLINE CABLE	1
56	102585	CABLE TIE	3
57	115039	RIGHT DECK RAIL	1
58	101627	MOTOR SWIVEL BOLT	2
59	115460	RIGHT ENDCAP W/SPACER	1
	.	113046 RIGHT ENDCAP	1
	.	113050 REAR ROLLER SPACER	1
60	013206	REAR ROLLER ADJ. BOLT	2
61	045010	ALLEN WRENCH	1
62	109788	REAR ROLLER W/RI	1
	.	105264 REAR ROLLER	1
	.	103847 REPLACEMENT INSTR.	1
63	016028	WRENCH CLIP	1
64	115459	LEFT ENDCAP W/SPACER	1
	.	113045 LEFT ENDCAP	1
	.	113050 REAR ROLLER SPACER	1
65	101168	TEE NUT	2
66	100691	PLATFORM SCREW	6
67	013540	MOTOR HOOD SCREW	4
68	115472	MOTOR HOOD W/DECALS	1
	.	108433 MOTOR HOOD	1
	.	115029 MOTOR HOOD DECAL	1
	.	113661 WIRE DIAGRAM	1
69	115572	REED SWITCH/SENSOR WIRE	1
70	111680	REED SWITCH CLIP	1
71	106939	BELT	1
72	016055	WIRE CLIP	4
73	113268	ISOLATOR	2

MODEL NUMBER: PF93003  
VERSION: 01  
PRODUCT NAME: PROFORM 930  
PRODUCT DESC: TREADMILL

MODEL/PART BOOK LISTING

PAGE 3  
INI023P1  
RUN DATE: 4/25/95  
RUN TIME: 16:22:31

KEY NUMBER	PART NUMBER	DESCRIPTION	QUANTITY
74	103855	J-BOLT	1
75	031182	GROUND WIRE	1
76	114456	MOTOR SWIVEL W/RI	1
.	.	113222 MOTOR SWIVEL	1
.	.	114457 REPLACEMENT INSTR.	1
77	113050	REAR ROLLER SPACER	2
78	116154	PEDAL EXTENSION BRACKET	2
.	.	NON-ILLUSTRATED PARTS:	0
#	033021	BATTERY	2
#	110402	BATTERY COVER (SNAP-ON)	1
#	112597	MOTOR HOOD PADDING	2
#	116890	FRONT ROLLER ADJ. WASHER	1
#	113141	FRAME DECAL	1
#	115029	MOTOR HOOD DECAL	1
#	113661	WIRE DIAGRAM DECAL	1
#	116400	OWNER'S MANUAL	1
.	116399	LITERATURE PACKET	1
.	.	116400 OWNER'S MANUAL	1
.	.	112589 PULSE/CLOTHES CLIP	1
.	.	115967 CN-HANDRAIL MTG	1
.	.	113841 HARDWARE KIT	1
.	.	016028 WRENCH CLIP	1
.	.	045010 ALLEN WRENCH	1
.	.	104063 SIDERAIL BOLT	2
.	.	014087 SIDERAIL WASHER	4



MODEL NUMBER: PF93003  
 VERSION: 02  
 PRODUCT NAME: PROFORM 930  
 PRODUCT DESC:

MODEL/PART BOOK LISTING

PAGE 1  
 IN1023P1  
 RUN DATE: 7/25/96  
 RUN TIME: 11:19:43

KEY NUMBER	PART NUMBER	DESCRIPTION	QUANTITY
	.	PROFORM 930	0
1	109244	LEFT HANDRAIL	1
2	013293	CONSOLE BOLT	2
3	106337	SAFETY KEY/CLIP	1
4	016055	REED WIRE CLIP	3
5	119946	PULSE/CLOTHES CLIP	1
6	108080	SMALL SCREW	22
7	115764	CONSOLE PLATE	1
8	109356	CONSOLE ASSEMBLY	1
9	109370	INCLINE OPTIC DISK	1
10	102959	SWITCH BOLT	2
11	102955	OPTIC SWITCH	2
12	109371	INCLINE SWITCH BRACKET	1
13	012152	SWITCH NUT	2
14	115523	INCLINE MOTOR	1
15	012108	LOCKNUT	6
16	110396	REAR ROLLER SPACER	2
17	105329	WHEEL BOLT	2
18	110447	CONTROLLER W/CN	1
	.	108580 CONTROLLER	1
	.	110446 CN-INSTALL INSTR.	1
19	109365	CHOKE	1
20	109246	RIGHT HANDRAIL	1
21	109095	MOTOR HOOD BRACKET	4
22	101049	MOTOR HOOD BRACKET SCREW	4
23	019084	GROMMET	1
24	031229	POWER CORD	1
25	109382	CIRCUIT BREAKER	1
26	109269	FRAME ENDCAP	2
27	104623	BELLY PAN PIN	10
28	106615	FRONT ROLLER ADJ. BOLT	1
29	014127	ROLLER ADJ. WASHER	3
30	052014	FRONT WHEEL	2
31	108062	POWER SUPPLY BOARD ASSY.	1
	.	118053 POWER SUPPLY BOARD	1
	.	015071 PLASTIC STAND-OFF	4
	.	102982 CN-INSTALL INSTR.	1
#	110463	POWER BOARD FUSE	1
32	015071	PLASTIC STAND-OFF	4
33	109105	INCLINE LEG	1
34	116068	HANDRAIL BOLT	4
35	013564	LEG/MOTOR BOLT	3
36	014087	HANDRAIL WASHER	4
37	109265	BELT GUIDE	2
38	108603	BELLY PAN	1
39	103855	MOTOR TENSION BOLT	1
40	014041	FLAT WASHER	4
41	104514	TENSION SPRING	1
42	012082	NUT	5
43	109360	FRONT ROLLER/PULLEY ASSY.	1
44	124588	WALKING PLATFORM ASSEMBLY	1
	.	124587 WALKING PLATFORM	1
	.	127860 NAIL	12
	.	110585 CN-INSTALL INSTR.	1

MODEL NUMBER: PF93003  
 VERSION: 02  
 PRODUCT NAME: PROFORM 930  
 PRODUCT DESC:

MODEL/PART BOOK LISTING

PAGE 2  
 INI023P1  
 RUN DATE: 7/25/96  
 RUN TIME: 11:19:43

KEY NUMBER	PART NUMBER	DESCRIPTION	QUANTITY
.	.	NOTE: THIS ASSEMBLY HAS	0
.	.	BEEN CHANGED FROM THE	0
.	.	ORIGINAL WAXED BOARD	0
45	130471	WALKING BELT	1
46	112553	FOOT RAIL	2
47	NSP	FRAME	1
48	105477	MOTOR MOUNT NUT	8
49	110589	MOTOR MOUNT PLATE W/CN	1
.	.	109242 MOTOR MOUNT PLATE	1
.	.	110587 CN-INSTALL INSTR.	1
50	101263	MOTOR PIVOT BOLT	1
51	108473	MOTOR ISOLATOR	4
52	108474	GROUND STRAP	1
53	114564	MOTOR ASSEMBLY	1
.	.	119991 MOTOR	1
.	.	116878 HARDWARE KIT	1
.	.	122179 CN-MTR CHANGE	1
.	.	110587 CN-INSTALL INSTR.	1
53A	114565	MOTOR/PULY/FLYWHL/FAN ASY	1
.	.	119991 MOTOR	1
.	.	116878 HARDWARE KIT	1
.	.	122179 CN-MOTOR CHANGE	1
.	.	112825 PULY/FLWH/FAN	1
.	.	110587 CN-INSTALL INSTR.	1
54	112825	PULLEY/FLYWHEEL/FAN ASSY.	1
55	109268	CUSHION KNOB	1
56	109723	ROD WASHER	2
57	109518	ROD ENDCAP	1
58	109438	POWER SUPPLY PLATE	1
59	109267	ADJUSTMENT ROD	1
60	110567	CUSHION COVER	2
61	109620	CUSHION SPRING/FOOT	2
62	109252	HANDRAIL WIRE HARNESS	1
63	108470	RIGHT ENDCAP	1
64	105444	REAR ROLLER ADJ. BOLT	2
65	045010	ALLEN WRENCH	1
66	016028	WRENCH CLIP	1
67	110582	REAR ROLLER W/CN	1
.	.	105894 REAR ROLLER	1
.	.	110581 CN-INSTALL INSTR.	1
68	108469	LEFT ENDCAP	1
69	100691	PLATFORM SCREW	6
70	111430	CAGE NUT	4
71	117065	MOTOR HOOD W/DECALS	1
.	.	108433 MOTOR HOOD	1
.	.	115029 MOTOR HOOD DECAL	1
.	.	114566 WIRE DIAGRAM DECAL	1
72	108778	SPEED OPTIC DISK RETAINER	2
73	109358	SPEED OPTIC DISK ASSY.	1
.	.	110400 SPEED OPTIC DISK	1
.	.	108778 DISK RETAINER	1
.	.	109359 CN-INSTALL INSTR.	1
74	106939	BELT	1
75	109103	SPEED SWITCH BRACKET	1

MODEL NUMBER: PF93003  
VERSION: 02  
PRODUCT NAME: PROFORM 930  
PRODUCT DESC:

MODEL/PART BOOK LISTING

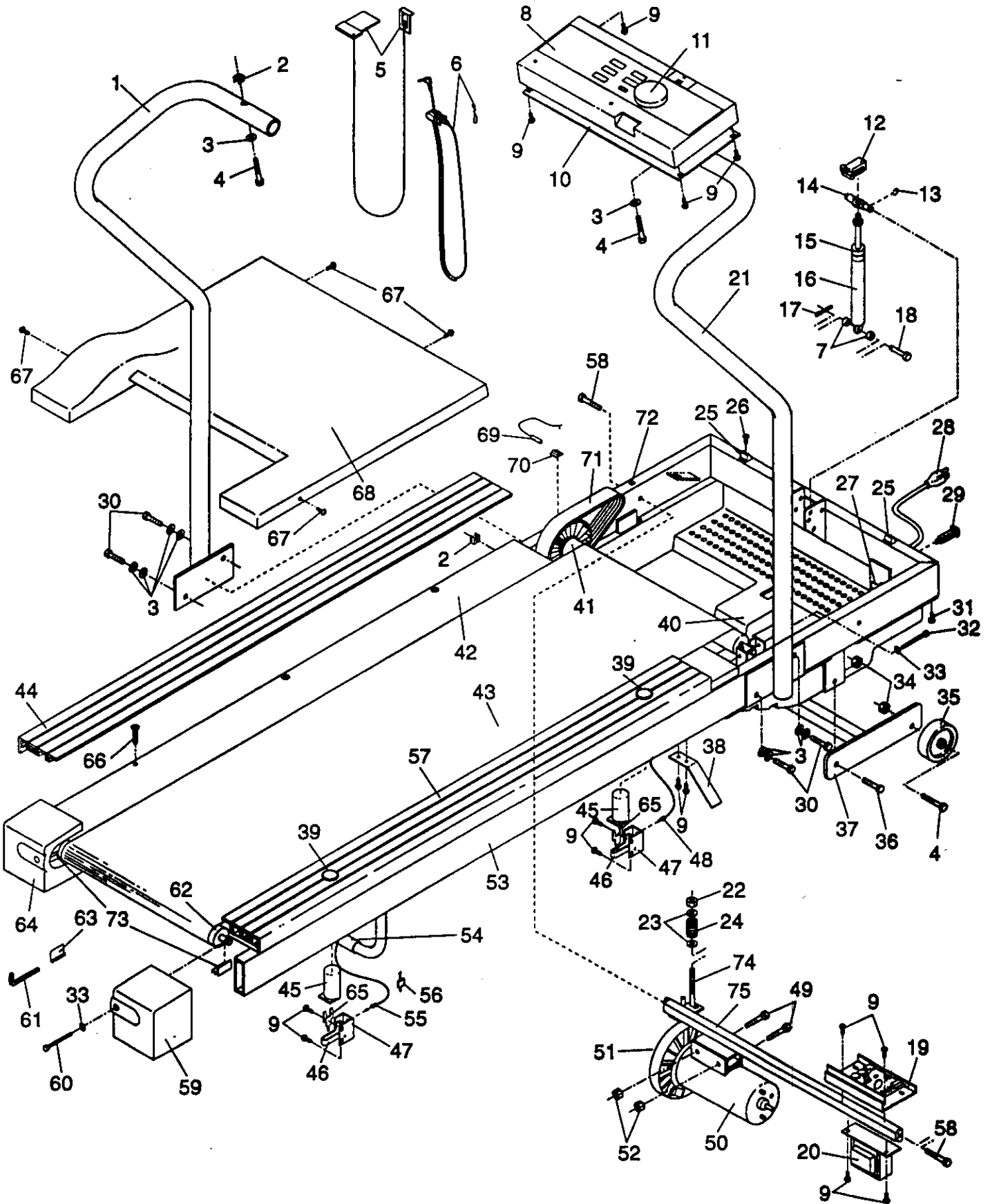
PAGE 3  
IN1023P1

RUN DATE: 7/25/96  
RUN TIME: 11:19:43

KEY NUMBER	PART NUMBER	DESCRIPTION	QUANTITY
76	109372	INCLINE BRACKET SCREW	1
77	109251	SHORT WIRE HARNESS	2
78	013300	ENDCAP SCREW	4
79	108404	HOOD SCREW	4
80	106334	COTTER PIN	1
81	112669	INCLINE MOTOR PIN	1
82	110926	CUSION SPRING BOLT	4
.	.	NON-ILLUSTRATED PARTS:	0
#	113141	FRAME DECAL	1
#	109333	CUSHION DECAL	1
#	115029	MOTOR HOOD DECAL	1
#	114566	WIRE DIAGRAM DECAL	1
#	116769	OWNER'S MANUAL	1
	117066	LITERATURE PACKET	1
.	.	116769 OWNER'S MANUAL	1
.	.	112589 PULSE/CLOTHES CLIP	1
.	.	109282 HARDWARE KIT	1
.	.	016028 WRENCH CLIP	1
.	.	045010 ALLEN WRENCH	1
.	.	014087 HANDRAIL WASHER	4
.	.	104063 HANDRAIL BOLT	4
.	.	013293 CONSOLE BOLT	2
.	.	014041 FLAT WASHER	2

# EXPLODED DRAWING—Model No. PF930033

Rev. 3/94



MODEL NUMBER: PF93003  
VERSION: 03  
PRODUCT NAME: PROFORM 930  
PRODUCT DESC: TREADMILL

MODEL/PART BOOK LISTING

PAGE 1  
INI023P1  
RUN DATE: 4/25/95  
RUN TIME: 16:22:37

KEY NUMBER	PART NUMBER	DESCRIPTION	QUANTITY
1	113237	LEFT SIDERAIL	1
2	111869	SIDERAIL CAGE NUT	6
3	014087	SIDERAIL WASHER	10
4	013564	CONSOLE/WHEEL BOLT	4
5	106337	SAFETY KEY/CLIP	1
6	112589	PULSE/CLOTHES CLIP	1
7	114270	SHOCK SPACER	2
8	115470	CONSOLE ASSEMBLY	1
.	.	113810 CONSOLE	1
.	.	040185 CONSOLE PLUG	1
.	.	113708 REPLACEMENT INSTR.	1
9	108080	SCREW	19
10	113284	CONSOLE PLATE	1
11	110000	SPEED CONTROL KNOB	1
12	110846	SHOCK RELEASE	1
13	054016	E-CLIP	1
14	115672	SHOCK BRACKET	1
15	105309	SHOCK SPACER	1
16	111436	INCLINE SHOCK W/RI	1
.	.	112582 INCLINE SHOCK	1
.	.	111435 REPLACEMENT INSTR.	1
17	106334	COTTER PIN	1
18	112669	SHOCK PIN	1
19	110447	CONTROLLER W/RI	1
.	.	108580 CONTROLLER	1
.	.	110446 REPLACEMENT INSTR.	1
20	109365	CHOKE	1
21	113239	RIGHT SIDERAIL	1
22	012082	TENSION NUT	1
23	014041	TENSION WASHER	2
24	104514	TENSION SPRING	1
25	113106	HOOD ANCHOR	2
26	013300	ANCHOR SCREW	2
27	019084	GROMMET	1
28	031229	POWER CORD	1
29	109382	CIRCUIT BREAKER	1
30	116068	SIDERAIL BOLT	4
31	013088	SAFETY COVER SCREW	10
32	112609	FRONT ROLLER ADJ. BOLT	1
33	014127	ROLLER ADJ. WASHER	3
34	012108	LOCKNUT	4
35	052014	FRONT WHEEL	2
36	104581	LEG BOLT	2
37	113224	INCLINE LEG	1
38	109265	BELT GUIDE	2
39	113227	INCLINE KNOB SLEEVE	2
40	115461	SAFETY COVER W/SCREWS	1
.	.	115019 SAFETY COVER	1
.	.	013088 SAFETY COVER SCREW	10
41	109360	FRONT ROLLER/PULLEY	1
42	124604	WALKING PLATFORM ASSEMBLY	1
.	.	124603 WALKING PLATFORM	1
.	.	107109 NAIL	12
.	.	110585 REPLACEMENT INSTR.	1

MODEL NUMBER: PF93003  
 VERSION: 03  
 PRODUCT NAME: PROFORM 930  
 PRODUCT DESC: TREADMILL

MODEL/PART BOOK LISTING

PAGE 2  
 INI023P1

RUN DATE: 4/25/95  
 RUN TIME: 16:22:37

KEY NUMBER	PART NUMBER	DESCRIPTION	QUANTITY
43	123428	WALKING BELT ASSEMBLY	1
	.	122992 WALKING BELT	1
	.	107109 NAIL	12
	.	110585 REPLACEMENT INSTR.	1
44	113233	LEFT DECK RAIL	1
45	116153	FOOT INCLINE KNOB	2
46	116155	INCLINE LEVER	2
47	114926	INCLINE KNOB BRACKET	2
48	110928	SHORT INCLINE CABLE	1
49	101627	MOTOR BOLT	2
50	114454	MOTOR ASSEMBLY	1
	.	119991 MOTOR	1
	.	114457 REPLACEMENT INSTR.	1
	.	122179 CN-MOTOR CHANGE	1
50A	114455	MOTOR/PULY/FLWH/FAN ASSY.	1
	.	119991 MOTOR	1
	.	112825 PULY/FLWH/FAN	1
	.	122179 CN-MOTOR CHANGE	1
	.	114457 REPLACEMENT INSTR.	1
51	112825	PULLEY/FLYWHEEL/FAN ASSY.	1
52	105477	MOTOR NUT	2
53	NSP	FRAME	0
54	110407	REAR LEG COVER	1
55	110929	LONG INCLINE CABLE	1
56	016029	CABLE TIE	3
57	113232	RIGHT DECK RAIL	1
58	100994	MOTOR SWIVEL BOLT	2
59	115460	RIGHT ENDCAP W/SPACER	1
	.	113046 RIGHT ENDCAP	1
	.	113050 REAR ROLLER SPACER	1
60	013206	REAR ROLLER ADJ. BOLT	2
61	045010	ALLEN WRENCH	1
62	109788	REAR ROLLER W/RI	1
	.	105264 REAR ROLLER	1
	.	103847 REPLACEMENT INSTR.	1
63	016028	WRENCH CLIP	1
64	115459	LEFT ENDCAP W/SPACER	1
	.	113045 LEFT ENDCAP	1
	.	113050 REAR ROLLER SPACER	1
65	116154	FOOT KNOB BRACKET	2
66	100691	PLATFORM SCREW	6
67	013540	MOTOR HOOD SCREW	4
68	115472	MOTOR HOOD W/DECALS	1
	.	108433 MOTOR HOOD	1
	.	115029 MOTOR HOOD DECAL	1
	.	113661 WIRE DIAGRAM	1
69	115572	REED SWITCH/SENSOR WIRE	1
70	111680	REED SWITCH CLIP	1
71	106939	BELT	1
72	016057	WIRE CLIP	4
73	113050	REAR ROLLER SPACER	2
74	103855	J-BOLT	1
75	115929	MOTOR SWIVEL W/RI	1
	.	115928 MOTOR SWIVEL	1

MODEL NUMBER: PF93003  
VERSION: 03  
PRODUCT NAME: PROFORM 930  
PRODUCT DESC: TREADMILL

MODEL/PART BOOK LISTING

PAGE 3

INI023P1

RUN DATE: 4/25/95

RUN TIME: 16:22:37

KEY NUMBER	PART NUMBER	DESCRIPTION	QUANTITY
.	.	115930 REPLACEMENT INSTR.	1
.	.	NON-ILLUSTRATED PARTS:	0
#	033021	BATTERY	2
#	110402	BATTERY COVER (SNAP-ON)	1
#	112597	MOTOR HOOD PADDING	2
#	113141	FRAME DECAL	1
#	115029	MOTOR HOOD DECAL	1
#	113661	WIRE DIAGRAM DECAL	1
#	040185	CONSOLE PLUG	1
#	113203	CABLE GUARD	2
#	111197	CNSL/CNTRLR WIRE HRNS,100	1
#	117446	OWNER'S MANUAL	1
.	117450	LITERATURE PACKET	1
.	.	117446 OWNER'S MANUAL	1
.	.	112589 PULSE/CLOTHES CLIP	1
.	.	115967 CN-SIDERAIL MTG	1
.	.	117011 SILICONE	1
.	.	113841 HARDWARE KIT	1
.	.	016028 WRENCH CLIP	1
.	.	045010 ALLEN WRENCH	1
.	.	116068 SIDERAIL BOLT	2
.	.	014087 SIDERAIL WASHER	4