

HISTORY

PRODUCT NUMBER: PF94003
 PRODUCT NAME: PROFORM 940

DESCRIPTION: 0-10 MPH, DC, treadmill, built on a low profile frame, full cage siderails, with foot actuated auto incline, photo sensor speed monitoring, 16 x 49" walking belt

COLORS: PROFORM WHITE: Steel
 BLACK: Deck rails, endcaps, hood, console

SHIPPING SPEC:

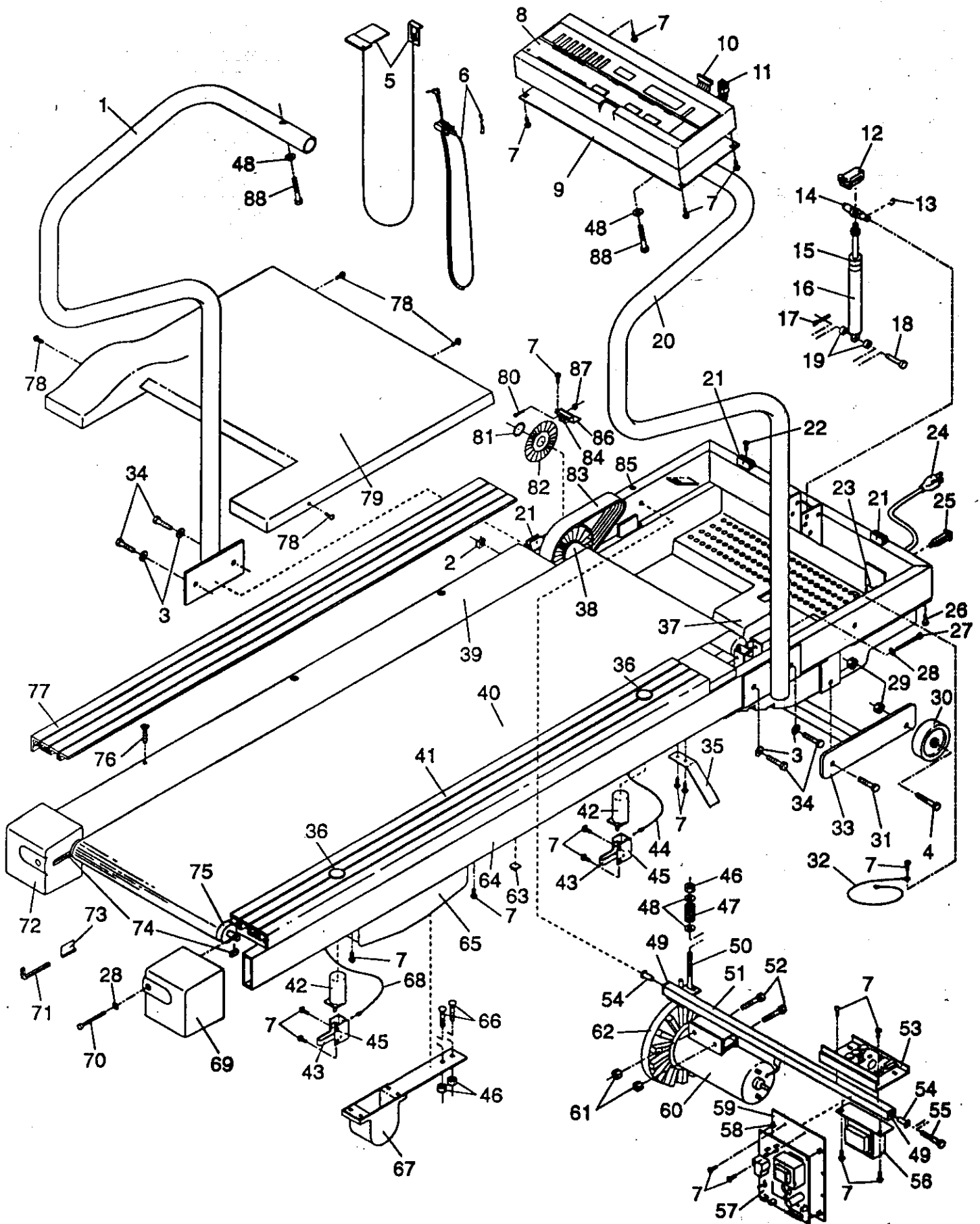
ASSEMBLED SPEC:

ELECTRONICS: Lobo 1 Console

<u>MFG LOCATION</u>	<u>APPROX DATE BEGAN</u>	<u>APPROX DATE END</u>	<u>VERSION</u>
Logan	9/93		PF940030
Logan	12/93		PF940031
Logan	2/94		PF940032

EXPLODED DRAWING—Model No. PF940030

Rev. 8/93



MODEL NUMBER: PF94003
 VERSION: 00
 PRODUCT NAME: PROFORM 910
 PRODUCT DESC:

MODEL/PART BOOK LISTING

KEY NUMBER	PART NUMBER	DESCRIPTION	QUANTITY
1	113620	LEFT SIDERAIL	1
2	111869	CAGE NUT	4
3	014087	SIDERAIL WASHER	4
4	013564	WHEEL BOLT	2
5	106593	SAFETY KEY/CLIP	1
6	119946	PULSE CLIP ASSEMBLY	1
7	108080	SCREW	24
8	115265	CONSOLE ASSEMBLY	1
.	.	111952 CONSOLE	1
.	.	040185 BEZEL	1
.	.	115266 REPLACEMENT INSTR.	1
9	112596	CONSOLE PLATE	1
10	111955	SHORT WIRE HARNESS	2
11	111956	SIDERAIL WIRE HARNESS	1
12	110846	SHOCK RELEASE	1
13	054016	E-CLIP	1
14	008149	SHOCK BRACKET	1
15	059019	RUBBER BUMPER	1
16	111436	INCLINE SHOCK W/RI	1
.	.	112582 INCLINE SHOCK	1
.	.	111435 REPLACEMENT INSTR.	1
17	106334	COPIER PIN	1
18	112669	SHOCK PIN	1
19	114270	SHOCK SPACER	2
20	113622	RIGHT SIDERAIL	1
21	113106	HOOD ANCHOR	3
22	013282	ANCHOR SCREW	3
23	019084	GROMMET	1
24	031229	POWER CORD	1
25	109382	CIRCUIT BREAKER	1
26	104623	SAFETY COVER PIN	10
27	106615	FRONT ROLLER ADJ. BOLT	1
28	014127	ROLLER ADJUSTMENT WASHER	3
29	012108	LOCK NUT	4
30	052014	FRONT WHEEL	2
31	104581	LEG BOLT	2
32	031182	GROUND WIRE	1
33	113224	INCLINE LEG	1
34	116068	SIDERAIL BOLT	4
35	109265	BELT GUIDE	2
36	113227	INCLINE KNOB SLEEVE	2
37	115019	SAFETY COVER	1
38	109360	FRONT ROLLER/PULLEY ASSY.	1
39	124632	WALKING PLATFORM ASSEMBLY	1
.	.	122816 WALKING PLATFORM	1
.	.	127860 NAIL	12
.	.	110585 REPLACEMENT INSTR.	1
.	.	NOTE: THIS ASSEMBLY HAS	0
.	.	BEEN CHANGED FROM THE	0
.	.	ORIGINAL WAXED BOARD	0
40	130475	WALKING BELT ASSEMBLY	1
41	115469	RIGHT DECK RAIL	1
42	116153	FOOT INCLINE KNOB	2
43	108427	INCLINE LEVER	2

MODEL NUMBER: PF94003
 VERSION: 00
 PRODUCT NAME: PROFORM 910
 PRODUCT DESC:

MODEL/PART BOOK LISTING

PAGE 2
 IN1023P1

RUN DATE: 7/23/96
 RUN TIME: 11:02:51

KEY NUMBER	PART NUMBER	DESCRIPTION	QUANTITY
44	110928	SHORT INCLINE CABLE	1
45	114926	INCLINE KNOB BRACKET	2
46	012082	TENSION/SPRING NUT	5
47	104514	TENSION SPRING	1
48	014041	TENSION/CONSOLE WASHER	1
49	113268	MOTOR ISOLATOR	2
50	103855	J-BOLT	1
51	114456	MOTOR SWIVEL W/RI	1
	.	113222 MOTOR SWIVEL	1
	.	114457 REPLACEMENT INSTR.	1
52	123385	MOTOR BOLT	2
53	110447	CONTROLLER W/RI	1
	.	108580 CONTROLLER	1
	.	110416 REPLACEMENT INSTR.	1
54	101168	TEE NUT	2
55	013210	MOTOR SWIVEL BOLT	2
56	109365	CHOKE	1
57	112406	POWER SUPPLY BOARD ASSY.	1
	.	110299 POWER SUPPLY BOARD	1
	.	112407 REPLACEMENT INSTR.	1
	.	015071 PLASTIC STAND-OFF	1
58	015071	PLASTIC STAND-OFF	1
59	106261	MOUNTING PLATE	1
60	114454	MOTOR ASSEMBLY	1
	.	119991 MOTOR	1
	.	114457 REPLACEMENT INSTR.	1
	.	122179 CN-MOTOR CHANGE	1
60A	114455	MOTOR/PULY/FLY/FAN/RI ASSY	1
	.	119991 MOTOR	1
	.	112825 PULLEY/FLY/FAN ASSY	1
	.	114457 REPLACEMENT INSTR.	1
	.	122179 CN-MOTOR CHANGE	1
61	105477	MOTOR NUT	2
62	112825	PULLEY/FLYWHEEL/FAN ASSY.	1
63	111680	CABLE CLIP	2
64	NSP	FRAME	1
65	113616	CUSHION COVER	2
66	110926	CUSHION SPRING BOLT	1
67	111432	CUSHION SPRING/FOOT	1
68	110929	LONG INCLINE CABLE	1
69	113046	RIGHT ENDCAP	1
70	105444	REAR ROLLER ADJ. BOLT	2
71	045010	ALLEN WRENCH	1
72	113045	LEFT ENDCAP	1
73	016028	TOOL CLAMP	1
74	113050	REAR ROLLER SPACER	2
75	109788	REAR ROLLER W/RI	1
	.	105264 REAR ROLLER	1
	.	103847 REPLACEMENT INSTR.	1
76	100691	PLATFORM SCREW	6
77	114458	LEFT DECK RAIL	1
78	108404	MOTOR HOOD SCREW	1
79	115263	MOTOR HOOD W/DECALS	1
	.	108433 MOTOR HOOD	1

MODEL NUMBER: PF94003
 VERSION: 00
 PRODUCT NAME: PROFORM 910
 PRODUCT DESC:

MODEL/PART BOOK LISTING

PAGE 3

IN102311

RUN DATE: 7/25/96
 RUN TIME: 11:02:51

KEY NUMBER	PART NUMBER	DESCRIPTION	QUANTITY
.	.	113626 MOTOR HOOD DECAL	1
.	.	113627 WIRE DIAGRAM DECAL	1
80	102959	SWITCH SCREW	1
81	108778	SPEED OPTIC DISK PUSH NUT	1
82	109358	SPEED OPTIC DISK ASST.	1
.	.	110400 SPEED OPTIC DISK	1
.	.	108778 DISK PUSH NUT	1
.	.	109359 REPLACEMENT INSTR.	1
83	106939	BELT	1
84	102955	OPTIC SWITCH	1
85	016055	WIRE CLIP	3
86	109103	SPEED SWITCH BRACKET	1
87	012152	SWITCH NUT	1
88	013293	CONSOLE BOLT	2
.	.	NON-ILLUSTRATED PARTS:	0
#	113141	FRAME DECAL	1
#	110886	CUSHION DECAL	1
#	113626	MOTOR HOOD DECAL	1
#	113627	WIRE DIAGRAM DECAL	1
#	NLA	CONSOLE ON/OFF DECAL	1
#	113628	OWNER'S MANUAL	1
.	113629	LITERATURE TACKET	1
.	.	113628 OWNER'S MANUAL	1
.	.	112589 PULSE CLIP ASST.	1
.	.	109282 HARDWARE KIT	1
.	.	016028 TOOL CLAMP	1
.	.	045010 ALLEN WRENCH	1
.	.	014087 SIDERAIL WASHER	1
.	.	104063 SIDERAIL BOLT	4
.	.	013293 CONSOLE BOLT	2
.	.	014011 CONSOLE WASHER	2