

HISTORY

PRODUCT NUMBER: PF99003
 PRODUCT NAME: PROFORM ERS 10.0 PT

DESCRIPTION: 1993 Treadmill
 0-10 mph, 2.5 HP, DC, treadmill,
 hoodless, power incline, adjustable
 cushion deck, programmable speed/incline,
 dual upright with welded u-shape handlebar,
 expanded running surface

SIMILAR TO 29727

COLORS: ALL BLACK

SHIPPING SPEC:

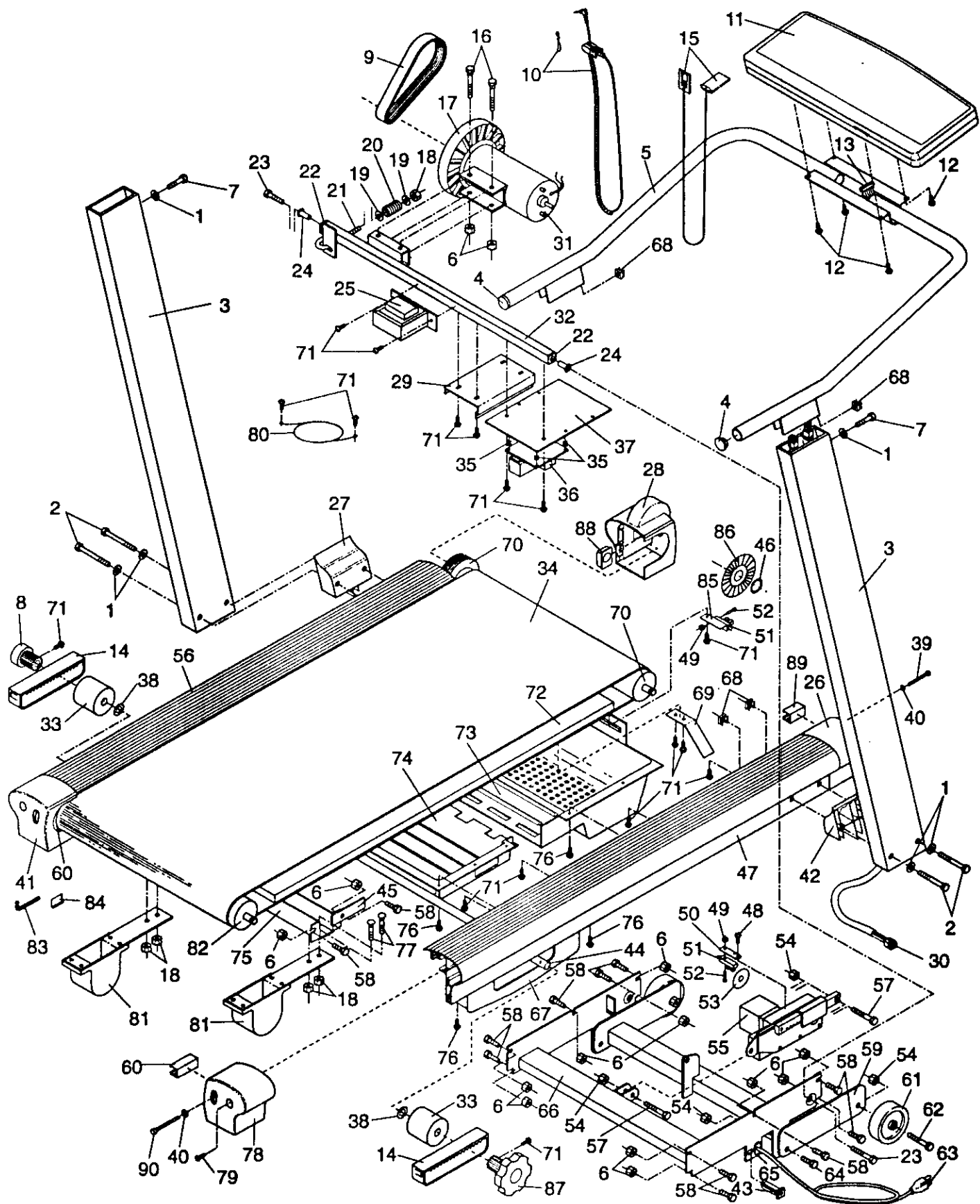
ASSEMBLED SPEC:

ELECTRONICS: ECT87 - CONSOLE

| <u>MFG LOCATION</u> | <u>APPROX DATE BEGAN</u> | <u>APPROX DATE END</u> | <u>VERSION</u> |
|---------------------|----------------------------------|--------------------------------|----------------|
| WESLO LOGAN | 10/93 | 10/93 | PF990030 |
| WESLO LOGAN | 10/93 | 3/94 | PF990031 |
| WESLO LOGAN | 4/93 | 7/94 | PF990032 |
| WESLO LOGAN | 8/94 | | PF990033 |

EXPLODED DRAWING—Model No. PF990030

Rev. 10/93



MODEL NUMBER: PF99003
 VERSION: 00
 PRODUCT NAME: PROFORM ERS 10.0PT
 PRODUCT DESC:

MODEL/PART BOOK LISTING

INT023P

RUN DATE: 5/09/96

RUN TIME: 17:07:17

| KEY NUMBER | PART NUMBER | DESCRIPTION | QUANTITY |
|------------|-------------|---------------------------|----------|
| | . | PROFORM ERS 10.0 PT | 0 |
| 1 | 014086 | UPRIGHT WASHER | 6 |
| 2 | 013485 | 3/8" X 4 1/2"UPRIGHT BOLT | 2 |
| 3 | 114375 | UPRIGHT | 2 |
| 4 | 114005 | HANDRAIL ENDCAP | 1 |
| 5 | 114371 | HANDRAIL | 1 |
| 6 | 105477 | FLANGE NUT | 1 |
| 7 | 114489 | 3/8" X1 1/4"HANDRAIL BOLT | 1 |
| 8 | 113005 | ROD ENDCAP | 1 |
| 9 | 106939 | MOTOR BELT | 1 |
| 10 | 119946 | PULSE/CLOTHES CLIP ASSY. | 1 |
| 11 | 115065 | CONSOLE ASSEMBLY | 1 |
| . | . | 113809 CONSOLE | 1 |
| . | . | 115064 CN-INSTALL INSTR. | 1 |
| 12 | 108404 | CONSOLE SCREW | 1 |
| 13 | 114365 | HANDRAIL WIRE HARNESS | 1 |
| 14 | 113003 | CUSHION SPRING INSERT | 1 |
| 15 | 114265 | SAFETY KEY/CLIP | 1 |
| 16 | 123385 | MOTOR BOLT | 1 |
| 17 | 113278 | PULLEY/FLYWHEEL/FAN ASSY. | 1 |
| 18 | 012082 | TENSION/SRPING FOOT NUT | 1 |
| 19 | 014041 | TENSION WASHER | 1 |
| 20 | 104514 | TENSION SPRING | 1 |
| 21 | 103855 | J-BOLT | 1 |
| 22 | 113268 | ISOLATOR | 1 |
| 23 | 013303 | MOTOR SWIVEL BOLT | 1 |
| 24 | 101168 | TEE NUT | 1 |
| 25 | 109365 | CHOKE | 1 |
| 26 | 117400 | RIGHT FRONT ENDCAP ASSY. | 1 |
| . | . | 113185 RT FRONT ENDCAP | 1 |
| . | . | 116511 SPACER | 1 |
| . | . | 117399 REPLACEMENT INSTR. | 1 |
| . | . | 113603 REAR ROLLER INSERT | 1 |
| . | . | 120970 REPLACEMENT INST | 1 |
| 27 | 113264 | LEFT UPRIGHT SPACER | 1 |
| 28 | 120975 | LEFT FRONT ENDCAP ASST | 1 |
| . | . | 113184 LT FRONT ENDCAP | 1 |
| . | . | 116899 FRONT RLLR INSERT | 1 |
| . | . | 120972 REPLACEMENT INST | 1 |
| 29 | 110447 | CONTROLLER W/CN | 1 |
| . | . | 108580 CONTROLLER | 1 |
| . | . | 110446 CN-INSTALL INSTR. | 1 |
| 30 | 114366 | UPRIGHT WIRE HARNESS | 1 |
| 31 | 115055 | MOTOR W/CONSUMER NOTICES | 1 |
| . | . | 124181 MOTOR | 1 |
| . | . | 115054 CN-INSTALL INSTR. | 1 |
| . | . | 122179 CN-MOTOR CHANGE | 1 |
| 31A | 115056 | MOTOR/PULY/FLYWHL/FAN ASY | 1 |
| . | . | 124181 MOTOR | 1 |
| . | . | 113278 PULY/FLYWHL/FAN | 1 |
| . | . | 115054 CN-INSTALL INSTR. | 1 |
| . | . | 122179 CN-MOTOR CHANGE | 1 |
| 32 | 115057 | MOTOR SWIVEL SHAFT W/CN | 1 |
| . | . | 113983 MOTOR SWIVEL SHAFT | 1 |

MODEL NUMBER: PF99003
 VERSION: 00
 PRODUCT NAME: PROFORM ERS 10.0PT
 PRODUCT DESC:

MODEL/PART BOOK LISTING

RUN DATE: 5/27/96

RUN TIME: 17:01:17

| KEY NUMBER | PART NUMBER | DESCRIPTION | QUANTITY |
|------------|-------------|---------------------------|----------|
| . | . | 115054 CN-INSTALL INSTR. | 1 |
| 33 | 106053 | CUSHION SPRING SPACER | 2 |
| 34 | 124634 | WALKING BELT W/CN | 1 |
| . | . | 129807 WALKING BELT | 1 |
| . | . | 115049 CN-INSTALL INSTR. | 1 |
| 35 | 015071 | PLASTIC STAND-OFF | 1 |
| 36 | 108062 | POWER BOARD ASSEMBLY | 1 |
| . | . | 118053 POWER BOARD | 1 |
| . | . | 015071 PLASTIC STAND-OFF | 1 |
| . | . | 102982 CN-INSTALL INSTR. | 1 |
| # | 110463 | POWER BOARD FUSE | 1 |
| 37 | 114037 | MOUNTING PLATE | 1 |
| 38 | 012155 | PUSH NUT | 1 |
| 39 | 105444 | FRONT ROLLER ADJ. BOLT | 1 |
| 40 | 014127 | ADJUSTMENT WASHER | 1 |
| 41 | 120973 | LEFT PEAR ENDCAP ASSY | 1 |
| . | . | 113192 LF REAR ENDCAP | 1 |
| . | . | 113605 REAR ROLLER INSERT | 1 |
| . | . | 120971 REPLACEMENT INST | 1 |
| 42 | 113265 | RIGHT HANDRAIL SPACER | 1 |
| 43 | 109382 | CIRCUIT BREAKER | 1 |
| 44 | 114356 | ADJUSTMENT ROD | 1 |
| 45 | 115404 | REINFORCEMENT PLATE | 1 |
| 46 | 108778 | RETAINER | 1 |
| 47 | 115051 | RIGHT FRAME RAIL W/CN | 1 |
| . | . | 114303 RIGHT RAIL | 1 |
| . | . | 115048 CN-INSTALL INSTR. | 1 |
| 48 | 109372 | BRACKET SCREW | 1 |
| 49 | 012152 | SWITCH NUT | 1 |
| 50 | 109371 | INCLINE OPTIC SWITCH BKT | 1 |
| 51 | 102955 | OPTIC SWITCH | 1 |
| 52 | 102959 | SWITCH BOLT | 1 |
| 53 | 109370 | OPTIC DISK | 1 |
| 54 | 012108 | NUT | 1 |
| 55 | 115523 | INCLINE MOTOR | 1 |
| 56 | 115050 | LEFT FRAME RAIL W/CN | 1 |
| . | . | 114301 LEFT RAIL | 1 |
| . | . | 115047 CN-INSTALL INSTR. | 1 |
| 57 | 013369 | INCLINE BOLT | 1 |
| 58 | 013211 | MOTOR FRAME BOLT | 1 |
| 59 | 115475 | INCLINE LEG | 1 |
| 60 | 113605 | REAR ROLLER INSERT | 1 |
| 61 | 052014 | WHEEL | 1 |
| 62 | 013399 | WHEEL BOLT | 1 |
| 63 | 031229 | POWER CORD | 1 |
| 64 | 013547 | INCLINE LEG BOLT | 1 |
| 65 | 019084 | GROMMET | 1 |
| 66 | 113980 | MOTOR FRAME | 1 |
| 67 | 114345 | CUSHION COVER | 1 |
| 68 | 111869 | CAGE NUT | 1 |
| 69 | 109265 | BELT GUIDE | 1 |
| 70 | 115061 | FRONT ROLLER/PULLEY ASSY. | 1 |
| 71 | 108080 | SMALL SCREW | 1 |
| 72 | 124658 | WALKING PLATFORM W/CN | 1 |

